

МУЗЫКАЛЬНЫЙ СИНТЕЗАТОР

S90 ES

ПЕРЕЧЕНЬ ДАННЫХ

Содержание

ПЕРЕЧЕНЬ ДАННЫХ.....	1
Музыкальный синтезатор.....	1
Музыкальный синтезатор.....	1
Перечень голосов	2
Перечень голосов ударных инструментов .	7
Перечень сигналов	21
Перечень исполнительских стилей	24
Перечень типов эффектов	25
Перечень параметров эффектов.....	27
Таблица назначения данных эффектам .	36
Перечень параметров управления	42
Перечень стилей Multi	42
Перечень типов арпеджио.....	43
Формат данных MIDI	55
Таблица данных MIDI	59



Перечень голосов

PRE 1 (MSB=63, LSB=0)

Номер	Название голоса	Категория	Субкатегория	
1	A01	Natural S	Ap	A PIANO
2	A02	Elegant S	Ap	A PIANO
3	A03	Bright S	Ap	A PIANO
4	A04	Dark S	Ap	A PIANO
5	A05	Intimate	Ap	A PIANO
6	A06	Mono S	Ap	A PIANO
7	A07	Full Grand	Ap	A PIANO
8	A08	Tacky	Ap	A PIANO
9	A09	Ragtime	Ap	A PIANO
10	A10	Aggressive	Ap	A PIANO
11	A11	HousePiano	Ap	A PIANO
12	A12	Old Blues	Ap	A PIANO
13	A13	1968	Ap	A PIANO
14	A14	Mono Comp	Ap	A PIANO
15	A15	78rpmPiano	Ap	A PIANO
16	A16	BalladKey	Ap	OTHER
17	B01	80s Layer	Ap	OTHER
18	B02	BaladStack	Ap	OTHER
19	B03	PianoBack	Ap	OTHER
20	B04	Piano&Str	Ap	OTHER
21	B05	Piano&Ooh	Ap	OTHER
22	B06	DigiGrand	Ap	A PIANO
23	B07	HardCP80	Ap	E GRAND
24	B08	CP80&EP	Kb	E.PIANO
25	B09	Yama EP's	Kb	E.PIANO
26	B10	DynoStrait	Kb	E.PIANO
27	B11	ChorusDyno	Kb	E.PIANO
28	B12	ChorusHard	Kb	E.PIANO
29	B13	80th Boost	Kb	E.PIANO
30	B14	R&B Soft	Kb	E.PIANO
31	B15	Neo Soul	Kb	E.PIANO
32	B16	HrdVintage	Kb	E.PIANO
33	C01	Phaser Vin	Kb	E.PIANO
34	C02	1983	Kb	E.PIANO
35	C03	Soft Case	Kb	E.PIANO
36	C04	Early 70's	Kb	E.PIANO
37	C05	Vintage'74	Kb	E.PIANO
38	C06	Sweetness	Kb	E.PIANO
39	C07	VintagFase	Kb	E.PIANO
40	C08	Max Tine	Kb	E.PIANO
41	C09	Early Fusn	Kb	E.PIANO
42	C10	VintagCase	Kb	E.PIANO
43	C11	Contempo	Kb	E.PIANO
44	C12	Mr. Klank	Kb	E.PIANO
45	C13	E.PianoPad	Kb	OTHER
46	C14	BellChorus	Kb	E.PIANO
47	C15	FM E.Piano	Kb	E.PIANO
48	C16	BalladEP	Kb	E.PIANO
49	D01	SparkleTin	Kb	E.PIANO
50	D02	TX802	Kb	E.PIANO
51	D03	Bell DX	Kb	E.PIANO
52	D04	Dark DX	Kb	E.PIANO
53	D05	Beauty DX	Kb	E.PIANO
54	D06	GS Tines	Kb	E.PIANO
55	D07	AnaPiano	Kb	E.PIANO
56	D08	AhrAml	Kb	E.PIANO
57	D09	Tine EP	Kb	E.PIANO
58	D10	Analog EP	Kb	E.PIANO
59	D11	WurliTrem	Kb	E.PIANO
60	D12	WurliAmped	Kb	E.PIANO
61	D13	Wurlix	Kb	E.PIANO
62	D14	Vintg Clav	Kb	CLAVI
63	D15	SuperClavi	Kb	CLAVI
64	D16	StereoClav	Kb	CLAVI

PRE 2 (MSB=63, LSB=1)

Номер	Название голоса	Категория	Субкатегория	
1	A01	Flutey	Or	ELEC.
2	A02	LeftManual	Or	ELEC.
3	A03	DrawContrl	Or	ELEC.
4	A04	GospSpli	Or	ELEC.
5	A05	Soulemn	Or	ELEC.
6	A06	Fully	Or	ELEC.
7	A07	Progressy	Or	ELEC.
8	A08	Crunchy	Or	ELEC.
9	A09	Rocky	Or	ELEC.
10	A10	DistFull	Or	ELEC.
11	A11	Early Bird	Or	ELEC.
12	A12	AnaDrwbr	Or	ELEC.
13	A13	Tiny	Or	ELEC.
14	A14	Paddy	Or	ELEC.
15	A15	Mellow Org	Or	ELEC.
16	A16	ResoDrbrs	Or	ELEC.
17	B01	OrgPad	Or	OTHER
18	B02	Panther	Or	ELEC.
19	B03	SawCombo	Or	OTHER
20	B04	1967 Keys	Or	ELEC.
21	B05	YD-45C	Or	ELEC.
22	B06	Compact	Or	ELEC.
23	B07	Spanish	Gt	A.GTR
24	B08	Nylon+Harm	Gt	A.GTR
25	B09	SimplSteel	Gt	A.GTR
26	B10	SteelCmprs	Gt	A.GTR
27	B11	Mute&Slide	Gt	A.GTR
28	B12	Ac&Harmnic	Gt	A.GTR
29	B13	SteelSwtch	Gt	A.GTR
30	B14	Mega Steel	Gt	A.GTR
31	B15	2StlStrngs	Gt	A.GTR
32	B16	12Strings	Gt	A.GTR
33	C01	12Str Mono	Gt	A.GTR
34	C02	Mega 12str	Gt	A.GTR
35	C03	El 12Strng	Gt	E.GTR
36	C04	Strange 12	Gt	E.GTR
37	C05	CleanEl&Ac	Gt	A.GTR
38	C06	Jazzy Pick	Gt	E.GTR
39	C07	JazzGIMelo	Gt	E.GTR
40	C08	Velo Jazz	Gt	E.GTR
41	C09	2CoilAmp1	Gt	E.GTR
42	C10	2CoilAmp2	Gt	E.GTR
43	C11	60sClean1	Gt	E.GTR
44	C12	60sClean2	Gt	E.GTR
45	C13	CleanSlap	Gt	E.GTR
46	C14	Distant	Gt	E.GTR
47	C15	SomeHair	Gt	E.GTR
48	C16	MiddyTrem	Gt	E.GTR
49	D01	CompDream	Gt	E.GTR
50	D02	RotoGtr	Gt	E.GTR
51	D03	Alt Rocker	Gt	E.GTR
52	D04	Spanky	Gt	E.GTR
53	D05	Vin Strum	Gt	E.GTR
54	D06	1CoilChors	Gt	E.GTR
55	D07	VinTremolo	Gt	E.GTR
56	D08	HittlHard	Gt	E.GTR
57	D09	PaddyClean	Gt	E.GTR
58	D10	Policia	Gt	E.GTR
59	D11	Rockabilly	Gt	E.GTR
60	D12	Rotator	Gt	E.GTR
61	D13	Baby	Gt	E.GTR
62	D14	TouchWah	Gt	E.GTR
63	D15	Mega Clean	Gt	E.GTR
64	D16	OverDriven	Gt	E.GTR

PRE 3 (MSB=63, LSB=2)

Номер	Название голоса	Категория	Субкатегория	
65	E01	TexBoogie	Gt	E.GTR
66	E02	DynamicAmp	Gt	E.GTR
67	E03	Drive	Gt	E.GTR
68	E04	SnakeFingr	Gt	E.GTR
69	E05	Feedbacker	Gt	E.GTR
70	E06	KilrWhammy	Gt	E.GTR
71	E07	Voodoooman	Gt	E.GTR
72	E08	CrunchyGtr	Gt	E.GTR
73	E09	SmallAmp	Gt	E.GTR
74	E10	LatinLover	Gt	E.GTR
75	E11	Still Blue	Gt	E.GTR
76	E12	59 Combo	Gt	E.GTR
77	E13	BlueLead	Gt	E.GTR
78	E14	Chugga	Gt	E.GTR
79	E15	Metal Mute	Gt	E.GTR
80	E16	OverTheTop	Gt	E.GTR
81	F01	Beater	Gt	E.GTR
82	F02	Mega OvrDv	Gt	E.GTR
83	F03	Mega Dist	Gt	E.GTR
84	F04	Upright	Ba	A.BASS
85	F05	Groovin'Bs	Ba	A.BASS
86	F06	VeloGrowl	Ba	A.BASS
87	F07	Mega Acoous	Ba	A.BASS
88	F08	FingerPBs	Ba	E.BASS
89	F09	PrecFW	Ba	E.BASS
90	F10	RoundWound	Ba	E.BASS
91	F11	ActiveP	Ba	E.BASS
92	F12	FretBuzzy	Ba	E.BASS
93	F13	3 Sixty Bs	Ba	E.BASS
94	F14	S-VeeTee	Ba	E.BASS
95	F15	GnarlyBs	Ba	E.BASS
96	F16	Reggae	Ba	E.BASS
97	G01	BaCement	Ba	E.BASS
98	G02	MidRngFngr	Ba	E.BASS
99	G03	HybridBs1	Ba	E.BASS
100	G04	HybridBs2	Ba	E.BASS
101	G05	PrecAmped	Ba	E.BASS
102	G06	FingBsAmp	Ba	E.BASS
103	G07	PBasFngDst	Ba	E.BASS
104	G08	FuzzBass	Ba	E.BASS
105	G09	MegaFngHrm	Ba	E.BASS
106	G10	Velo Bass	Ba	E.BASS
107	G11	SlapSwitch	Ba	E.BASS
108	G12	Mega Fingr	Ba	E.BASS
109	G13	Mega Slap	Ba	E.BASS
110	G14	Chilli	Ba	E.BASS
111	G15	PickOpen	Ba	E.BASS
112	G16	PickPull	Ba	E.BASS
113	H01	PickMuteDr	Ba	E.BASS
114	H02	New Pick	Ba	E.BASS
115	H03	Mega Pick	Ba	E.BASS
116	H04	FretlesDry	Ba	E.BASS
117	H05	FretlsSolo	Ba	E.BASS
118	H06	Mega Frtls	Ba	E.BASS
119	H07	Violin 1	St	SOLO
120	H08	Violin 2	St	SOLO
121	H09	Fiddler	St	SOLO
122	H10	Viola 1	St	SOLO
123	H11	Viola 2	St	SOLO
124	H12	Cello 1	St	SOLO
125	H13	Cello 2	St	SOLO
126	H14	Solo 1	St	SOLO
127	H15	Solo 2	St	SOLO
128	H16	SoloSpicat	St	SOLO

Номер	Название голоса	Категория	Субкатегория	
1	A01	Contrabas1	St	SOLO
2	A02	2 Violins	St	ENSEM.
3	A03	2 Violas	St	ENSEM.
4	A04	2 Cellos	St	ENSEM.
5	A05	Cello Duet	St	ENSEM.
6	A06	2 Solos	St	ENSEM.
7	A07	CelloEnsem	St	ENSEM.
8	A08	ViolaEnsem	St	ENSEM.
9	A09	ViolnEnsem	St	ENSEM.
10	A10	CB, Sect	St	ENSEM.
11	A11	SmallSect1	St	ENSEM.
12	A12	SmallSect2	St	ENSEM.
13	A13	MediumEns	St	ENSEM.
14	A14	Violin Mix	St	ENSEM.
15	A15	Spicalines	St	ENSEM.
16	A16	Hard Bow	St	ENSEM.
17	B01	BackGround	St	ENSEM.
18	B02	Hophead	St	ENSEM.
19	B03	HoleString	St	ENSEM.
20	B04	Ens Mix	St	ENSEM.
21	B05	Hard Ens	St	ENSEM.
22	B06	VeloString	St	ENSEM.
23	B07	BigStrings	St	ENSEM.
24	B08	Lush	St	ENSEM.
25	B09	MutedSect	St	ENSEM.
26	B10	BigSymphny	St	ENSEM.
27	B11	3 8ve Lush	St	ENSEM.
28	B12	3 8ve Hard	St	ENSEM.
29	B13	BeautyHarp	Gt	PLUCK
30	B14	StereoHarp	Gt	PLUCK
31	B15	PizzEns	St	ENSEM.
32	B16	PizzSect	St	ENSEM.
33	C01	Oct Pizz	St	ENSEM.
34	C02	OrchstrlPl	St	ENSEM.
35	C03	PWMStrings	St	SYNTH
36	C04	Lightpad	St	SYNTH
37	C05	Noble Pad	St	SYNTH
38	C06	Romantic	St	SYNTH
39	C07	Stringy	St	SYNTH
40	C08	MournStrgs	St	SYNTH
41	C09	JP Strings	St	SYNTH
42	C10	3Osc Vintg	St	SYNTH
43	C11	Superstrgs	St	SYNTH
44	C12	VP Soft	St	SYNTH
45	C13	PWM Simple	St	SYNTH
46	C14	DbiChorus	St	SYNTH
47	C15	Old String	St	ENSEM.
48	C16	PhaseStrgs	St	SYNTH
49	D01	Oct String	St	SYNTH
50	D02	3 Octave	St	SYNTH
51	D03	SS-40	St	SYNTH
52	D04	TapeStrngs	St	SYNTH
53	D05	TrpRomantc	Br	SOLO
54	D06	PiccoloTpt	Br	SOLO
55	D07	DynoTrumprt	Br	SOLO
56	D08	SoftJazzTp	Br	SOLO
57	D09	BaroqTrpt	Br	SOLO
58	D10	Phase Mute	Br	SOLO
59	D11	Legend	Br	SOLO
60	D12	2 Trumpets	Br	SECTION
61	D13	Fluegel	Br	SOLO
62	D14	JazyFlugel	Br	SOLO
63	D15	Trombone1	Br	SOLO
64	D16	BlownBone	Br	SOLO

Номер	Название голоса	Категория	Субкатегория	
65	E01	BoneSectn	Br	SECTION
66	E02	FrenchHorn	Br	SOLO
67	E03	FrHornSect	Br	SECTION
68	E04	Big French	Br	SECTION
69	E05	MovieHorns	Br	SECTION
70	E06	Symphonic	Br	SECTION
71	E07	Symphony	Br	SECTION
72	E08	SymphoBrs	Br	SECTION
73	E09	SlowAttack	Br	SECTION
74	E10	SoftVeloBr	Br	SECTION
75	E11	Soft Brass	Br	SECTION
76	E12	Velo Brass	Br	SECTION
77	E13	SmlBrSect	Br	SECTION
78	E14	Fanfare	Br	SECTION
79	E15	Big&Brite	Br	SECTION
80	E16	PowerSect	Br	SECTION
81	F01	VeloFalls	Br	SECTION
82	F02	StabDance	Br	SECTION
83	F03	Mono Sect	Br	SECTION
84	F04	Sforzando	Br	SECTION
85	F05	Big Band 1	Br	SECTION
86	F06	Big Band 2	Br	SECTION
87	F07	SaxBigBand	Br	SECTION
88	F08	Hybrid	Br	SECTION
89	F09	HybridSect	Br	SECTION
90	F10	VeloSynBr	Br	SECTION
91	F11	CS-90	Br	SYNTH
92	F12	FM Brass	Br	SYNTH
93	F13	Thinth	Br	SYNTH
94	F14	QuietBrass	Br	SYNTH
95	F15	Big Syn	Br	SYNTH
96	F16	ObStuff	Br	SYNTH
97	G01	OberBrass	Br	SYNTH
98	G02	OberHorns	Br	SYNTH
99	G03	ObSoft	Br	SYNTH
100	G04	T Brass	Br	SYNTH
101	G05	BigSquish	Br	SYNTH
102	G06	Slow PWM	Br	SYNTH
103	G07	Soft 5th	Br	SYNTH
104	G08	Timeless	Br	SYNTH
105	G09	After 1984	Br	SYNTH
106	G10	Prophy	Br	SYNTH
107	G11	Kustom	Br	SYNTH
108	G12	Soprano 1	Rp	SAX/RD
109	G13	SoprnoSoft	Rp	SAX/RD
110	G14	Alto Vib	Rp	SAX/RD
111	G15	Velo Alto	Rp	SAX/RD
112	G16	Tenor Soft	Rp	SAX/RD
113	H01	TenorSax1	Rp	SAX/RD
114	H02	Hip Bari	Rp	SAX/RD
115	H03	4 Brothers	Rp	SAX/RD
116	H04	Sweet Oboe	Rp	SAX/RD
117	H05	SmoothOboe	Rp	SAX/RD
118	H06	BassoonVib	Rp	SAX/RD
119	H07	Clarinet 1	Rp	SAX/RD
120	H08	WW Trio	Rp	SAX/RD
121	H09	DbiRdQuart	Rp	SAX/RD
122	H10	C Flute	Rp	PIPE
123	H11	SweetFlute	Rp	PIPE
124	H12	IrishPipe	Rp	PIPE
125	H13	BluzDistrt	Rp	OTHER
126	H14	Campfire	Rp	OTHER
127	H15	TootsyHarp	Rp	OTHER
128	H16	WoodyHarp	Rp	OTHER

PRE 4 (MSB=63, LSB=3)

Номер	Название голоса	Категория	Субкатегория	
1	A01	Santur	Gt	PLUCK
2	A02	Baglama	Gt	PLUCK
3	A03	Kotoun	Gt	PLUCK
4	A04	Kanun	Gt	PLUCK
5	A05	Bazouk	Gt	PLUCK
6	A06	Bouzuki	Gt	PLUCK
7	A07	Oud	Gt	PLUCK
8	A08	IndianFlai	Pd	BRIGHT
9	A09	WhereAmI?	Gt	PLUCK
10	A10	Sakura	Gt	PLUCK
11	A11	Nomad	Gt	PLUCK
12	A12	Ney	Rp	PIPE
13	A13	Kawala	Rp	PIPE
14	A14	Shukran	Co	SPLIT
15	A15	Zurna	Rp	OTHER
16	A16	Pungi	Rp	OTHER
17	B01	Shehnai 1	Rp	OTHER
18	B02	Digido	Rp	PIPE
19	B03	Gagaku	Co	SPLIT
20	B04	Kodo	Cp	PERC.
21	B05	Djerimbe	Cp	PERC.
22	B06	Mbira	Cp	PERC.
23	B07	Tabla	Dr	PERC.
24	B08	Tabla 2	Dr	PERC.
25	B09	Tabla Zone	Dr	PERC.
26	B10	Udu	Dr	PERC.
27	B11	Djembe	Dr	PERC.
28	B12	Dhol	Dr	PERC.
29	B13	Kemence	St	SOLO
30	B14	Kemen Wet	St	SOLO
31	B15	Kokyu	St	SOLO
32	B16	Yayli	St	ENSEM.
33	C01	ChurchOohs	Pd	CHOIR
34	C02	Bright-Haah	Pd	CHOIR
35	C03	Ooh-Aah	Pd	CHOIR
36	C04	PeaceVox	Pd	CHOIR
37	C05	GlassChoir	Pd	CHOIR
38	C06	AquaStop	Pd	CHOIR
39	C07	Talk Box	Pd	CHOIR
40	C08	Paradies	Pd	BRIGHT
41	C09	Westerlies	Pd	BRIGHT
42	C10	Tibet Ens.	Pd	BRIGHT
43	C11	Pan Sphere	Pd	SOFT
44	C12	Atlantis	Me	MOTION
45	C13	Analog	Pd	SOFT
46	C14	MellowAnlg	Pd	SOFT
47	C15	Square	Pd	SOFT
48	C16	PWM Soft	Pd	SOFT
49	D01	The Synth	Pd	SOFT
50	D02	BrassMover	Pd	SOFT
51	D03	Dark Light	Pd	SOFT
52	D04	Fat Eight	Pd	BRIGHT
53	D05	SmoothBlue	Pd	SOFT
54	D06	Fazer Pad	Pd	BRIGHT
55	D07	FrozenVox	Pd	CHOIR
56	D08	Eclipse	Me	MOTION
57	D09	Arc-light	Pd	BRIGHT
58	D10	Silverlake	Pd	SOFT
59	D11	FrozenPad	Pd	BRIGHT
60	D12	Shine on	Pd	SOFT
61	D13	Whisperer	Pd	BRIGHT
62	D14	Mini Three	Ld	HARD
63	D15	VintageSaw	Ld	HARD
64	D16	Bright Saw	Ld	HARD

USR1 (MSB=63, LSB=8)

Номер	Название голоса	Категория	Субкатегория	
65	E01	DuckLead	Ld	SOFT
66	E02	Feeling	Ld	SOFT
67	E03	Crying	Ld	HARD
68	E04	ThinkSync	Ld	HARD
69	E05	Lucky	Ld	SOFT
70	E06	PulseWound	Ld	HARD
71	E07	PWM Lead	Ld	HARD
72	E08	Rap Lead 1	Ld	SOFT
73	E09	Rap Lead 2	Ld	HARD
74	E10	Soft RnB	Ld	SOFT
75	E11	Singleline	Ld	SOFT
76	E12	Inda Night	Ld	SOFT
77	E13	SimpleBass	Ba	SYNTH
78	E14	Fat Sine	Ba	SYNTH
79	E15	OneVoice	Ba	SYNTH
80	E16	Fundamentl	Ba	SYNTH
81	F01	BalladBass	Ba	SYNTH
82	F02	SimpleReso	Ba	SYNTH
83	F03	Unison	Ba	SYNTH
84	F04	Moonbass	Ba	SYNTH
85	F05	Sweeper	Ba	SYNTH
86	F06	Boogie 1	Ba	SYNTH
87	F07	Dark Uni	Ba	SYNTH
88	F08	Boogie 2	Ba	SYNTH
89	F09	Clickie	Ba	SYNTH
90	F10	KickBass	Ba	SYNTH
91	F11	MiniClassc	Ba	SYNTH
92	F12	Wazzo	Ba	SYNTH
93	F13	Lazerzz	Se	SYNTH
94	F14	The Gate	Se	SYNTH
95	F15	Insanity	Se	SYNTH
96	F16	NevrRepeat	Se	SYNTH
97	G01	StoneArp	Se	SYNTH
98	G02	Hellfire	Me	MOTION
99	G03	Omniflow	Me	MOTION
100	G04	Flutter	Me	MOTION
101	G05	Chromosome	Me	MOTION
102	G06	Cwmcarn	Me	MOTION
103	G07	Alioth	Me	MOTION
104	G08	China Bird	Me	MOTION
105	G09	Missing	Me	MOTION
106	G10	Glacy	Me	MOTION
107	G11	Orch Hits	Me	HIT
108	G12	80's Hit	Me	HIT
109	G13	Chaser	Me	MOTION
110	G14	CosmicRain	Me	MOTION
111	G15	Mckinley	Me	MOTION
112	G16	Glass Tube	Me	MOTION
113	H01	QuickPunch	Sc	HARD
114	H02	BigComp	Sc	HARD
115	H03	NoizRezz	Sc	HARD
116	H04	Wobbly	Sc	SOFT
117	H05	StringBell	Sc	SOFT
118	H06	Nightfall	Sc	SOFT
119	H07	Antares	Sc	HARD
120	H08	Airy Nylon	Sc	SOFT
121	H09	GX1	Sc	HARD
122	H10	PWM Percu	Sc	HARD
123	H11	Ore-Tech	Sc	HARD
124	H12	PluckBells	Sc	HARD
125	H13	Vanilla	Co	SEQ
126	H14	Seraphim	Pd	CHOIR
127	H15	NoiseBass	Ba	SYNTH
128	H16	Lost Ring	Me	MOTION

Номер	Название голоса	Категория	Субкатегория	
1	A01	Unplugged	Gt	A.GTR
2	A02	FolkGuitar	Gt	A.GTR
3	A03	Strum12Str	Gt	A.GTR
4	A04	Thin Pick	Gt	A.GTR
5	A05	ThickStrum	Gt	A.GTR
6	A06	LazyChorus	Gt	A.GTR
7	A07	Latin Jam	Gt	A.GTR
8	A08	Slippery	Gt	A.GTR
9	A09	Nylon Arp	Gt	A.GTR
10	A10	WackaWacka	Gt	E.GTR
11	A11	Touch Funk	Gt	A.GTR
12	A12	Funk Star	Gt	E.GTR
13	A13	Clean Funk	Gt	E.GTR
14	A14	Riff Rock	Gt	E.GTR
15	A15	Dist. Lick	Gt	E.GTR
16	A16	VintageAmp	Gt	E.GTR
17	B01	RockBackin	Gt	E.GTR
18	B02	Wah Lead	Gt	E.GTR
19	B03	OverTopArp	Gt	E.GTR
20	B04	1stJazzBas	Ba	A.BASS
21	B05	GroovinArp	Ba	A.BASS
22	B06	FunkFinger	Ba	E.BASS
23	B07	Basman12/8	Ba	E.BASS
24	B08	Slapper	Ba	E.BASS
25	B09	No Fretlin	Ba	E.BASS
26	B10	PickedBass	Ba	E.BASS
27	B11	Buzzy Pick	Ba	E.BASS
28	B12	MellowBass	Ba	E.BASS
29	B13	FingerComp	Ba	E.BASS
30	B14	Salsalicio	Ap	A.PIANO
31	B15	Montuno	Ap	A.PIANO
32	B16	Mutey Arp	Ap	A.PIANO
33	C01	1FingerRck	Ap	A.PIANO
34	C02	ClubBackin	Ap	A.PIANO
35	C03	VintageArp	Kb	E.PIANO
36	C04	Arp Clavi	Kb	CLAVI
37	C05	House Org	Or	ELEC.
38	C06	Bali Bells	Cp	BELL
39	C07	Bell Shop	Cp	BELL
40	C08	StringPart	St	ENSEM.
41	C09	The Sneak	St	ENSEM.
42	C10	Pizz Arp	St	ENSEM.
43	C11	Harp Arp	St	SOLO
44	C12	HeavenSent	Co	SEQ
45	C13	Quiet Orch	Br	SECTION
46	C14	Funk Bros	Br	SECTION
47	C15	Fall Arp	Br	SECTION
48	C16	Velo Flute	Rp	PIPE
49	D01	OrcDrummer	Dr	DRUMS
50	D02	BaglamaArp	Gt	PLUCK
51	D03	Karbala 1	Gt	PLUCK
52	D04	Karbala 2	Gt	PLUCK
53	D05	Ney Arp	Rp	PIPE
54	D06	Sunny	Co	SEQ
55	D07	Afro	Co	SEQ
56	D08	Ethnology	Co	SEQ
57	D09	Funk Delhi	Gt	PLUCK
58	D10	FX Jam	Se	SYNTH
59	D11	Rap Top	Co	SEQ
60	D12	MouthShots	Se	SYNTH
61	D13	R&B Solo	Ld	HARD
62	D14	Kick Off	Co	SEQ
63	D15	Embassy	Co	SEQ
64	D16	Mocha	Co	SEQ

USR 2 (MSB=63, LSB=9)

Номер	Название голоса	Категория	Субкатегория
65	E01	Safari	Co SEQ
66	E02	Punchy Saw	Co SEQ
67	E03	Mr. Groovy	Co SEQ
68	E04	StarDrop	Co SEQ
69	E05	SyncArp 1	Co SEQ
70	E06	Madhouse	Co SEQ
71	E07	CompingPd	Co SEQ
72	E08	80's Ens	Co SEQ
73	E09	Tribal	Dr PERC.
74	E10	SyncArp 2	Co SEQ
75	E11	Orongo	Co SEQ
76	E12	Chinese	Co SEQ
77	E13	Neptune	Co SEQ
78	E14	Magician	Co SEQ
79	E15	Basic Arp	Co SEQ
80	E16	Soundwork	Co SEQ
81	F01	For Bertje	Co SEQ
82	F02	ANbasicARP	Co SEQ
83	F03	Particle	Co SEQ
84	F04	FuzzMorf	Co SEQ
85	F05	LighTek	Co SEQ
86	F06	Creme Cafe	Co SEQ
87	F07	Tangerine	Co SEQ
88	F08	Chocolate	Co SEQ
89	F09	Sushima	Co SEQ
90	F10	Metaloop	Co SEQ
91	F11	Technokrat	Co SEQ
92	F12	Hi 2 Lo MW	Co SEQ
93	F13	Engineer	Co SEQ
94	F14	Ghana Rain	Co SEQ
95	F15	SeqPad	Co SEQ
96	F16	Creamy	Co SEQ
97	G01	Waterproof	Me MOTION
98	G02	RingBell	Co SEQ
99	G03	SpectrmArp	Me MOTION
100	G04	The Hunter	Co SEQ
101	G05	Himalaya	Co SEQ
102	G06	Bass'n Pad	Co SEQ
103	G07	Multi Mod	Co SEQ
104	G08	Surprise	Co SEQ
105	G09	Quo Vadis	Co SEQ
106	G10	Metal Arp	Co SEQ
107	G11	DreaminOFU	Co SEQ
108	G12	TransmittR	Co SEQ
109	G13	Zynitas	Co SEQ
110	G14	Pistachio	Co SEQ
111	G15	X-Wave	Co SEQ
112	G16	Cherry	Co SEQ
113	H01	Elec Drum	Co SEQ
114	H02	SimpleSize	Co SEQ
115	H03	Straighter	Co SEQ
116	H04	BollogPuls	Co SEQ
117	H05	Strawberry	Co SEQ
118	H06	Neon Soda	Co SEQ
119	H07	Magnetics	Me MOTION
120	H08	Elc.Music	Co SEQ
121	H09	ChillOut	Co SEQ
122	H10	In My Head	Se SYNTH
123	H11	Racer	Se SYNTH
124	H12	Jitter	Co SEQ
125	H13	Sand ES	Me MOTION
126	H14	V.S.E.Seq	Co SEQ
127	H15	Dawn	Co SEQ
128	H16	LuxAeterna	Me MOTION

Номер	Название голоса	Категория	Субкатегория
1	A01	Natural S	Ap A PIANO
2	A02	ChorusDyno	Kb E.PIANO
3	A03	SuperClavi	Kb CLAVI
4	A04	St. Paul	Or PIPE
5	A05	Slippery	Gt A.GTR
6	A06	1stJazzBas	Ba A.BASS
7	A07	Violin 2	St SOLO
8	A08	SoftJazzTp	Br SOLO
9	A09	BaglamaArp	Gt PLUCK
10	A10	Salsalicio	Ap A PIANO
11	A11	SoprnoSoft	Rp SAX/RD
12	A12	Mini Three	Ld HARD
13	A13	ChurchOohs	Pd CHOIR
14	A14	Cwmcaern	Me MOTION
15	A15	Lazerzz	Se SYNTH
16	A16	Mocha	Co SEQ
17	B01	Elegant S	Ap A PIANO
18	B02	R&B Soft	Kb E.PIANO
19	B03	Nu Phasing	Kb CLAVI
20	B04	Sunday	Or PIPE
21	B05	Nylon+Harm	Gt A.GTR
22	B06	GroovinArp	Ba A.BASS
23	B07	SoloSpicat	St SOLO
24	B08	Trombone1	Br SOLO
25	B09	Santur	Gt PLUCK
26	B10	1FingerRck	Ap A PIANO
27	B11	Alto Vib	Rp SAX/RD
28	B12	VintageSaw	Ld HARD
29	B13	Talk Box	Pd CHOIR
30	B14	Hellfire	Me MOTION
31	B15	Racer	Se SYNTH
32	B16	80's Ens	Co SEQ
33	C01	Bright S	Ap A PIANO
34	C02	Vintage74	Kb E.PIANO
35	C03	TouchClavi	Kb CLAVI
36	C04	Reedy Pipe	Or PIPE
37	C05	Thin Pick	Gt A.GTR
38	C06	FunkFinger	Ba E.BASS
39	C07	SmallSect1	St ENSEM.
40	C08	FrHornSect	Br SECTION
41	C09	Karbala 1	Gt PLUCK
42	C10	The Sneak	St ENSEM.
43	C11	Tenor Soft	Rp SAX/RD
44	C12	ThinkSync	Ld HARD
45	C13	Paradies	Pd BRIGHT
46	C14	Alioth	Me MOTION
47	C15	The Gate	Se SYNTH
48	C16	Engineer	Co SEQ
49	D01	Full Grand	Ap A PIANO
50	D02	Sweetness	Kb E.PIANO
51	D03	Twinkle	Cp BELL
52	D04	Amped	Or ELEC.
53	D05	JazzGtMelo	Gt E.GTR
54	D06	Slapper	Ba E.BASS
55	D07	MediumEns	St ENSEM.
56	D08	Symphony	Br SECTION
57	D09	Baglama	Gt PLUCK
58	D10	HeavenSent	Co SEQ
59	D11	Hip Bari	Rp SAX/RD
60	D12	PulseWound	Ld HARD
61	D13	Analog	Pd SOFT
62	D14	Glacy	Me MOTION
63	D15	Insanity	Se SYNTH
64	D16	Bass'n Pad	Co SEQ

Номер	Название голоса	Категория	Субкатегория
65	E01	Tacky	Ap A PIANO
66	E02	E.PianoPad	Kb OTHER
67	E03	Stack Bell	Cp BELL
68	E04	Vintage C	Or ELEC.
69	E05	WackaWacka	Gt E.GTR
70	E06	Fat Sine	Ba SYNTH
71	E07	BigSymphny	St ENSEM.
72	E08	PowerSect	Br SECTION
73	E09	Karbala 2	Gt PLUCK
74	E10	Quiet Orch	Br SECTION
75	E11	SweetFlute	Rp PIPE
76	E12	Rap Lead 1	Ld SOFT
77	E13	Fat Eight	Pd BRIGHT
78	E14	CosmicRain	Me MOTION
79	E15	NevrRepeat	Se SYNTH
80	E16	SimpleSize	Co SEQ
81	F01	1968	Ap A PIANO
82	F02	Bell DX	Kb E.PIANO
83	F03	NoizRezz	Sc HARD
84	F04	Cool Cat	Or ELEC.
85	F05	2CoilAmp1	Gt E.GTR
86	F06	SimpleReso	Ba SYNTH
87	F07	BeautyHarp	Gt PLUCK
88	F08	VeloFalls	Br SECTION
89	F09	Kanun	Gt PLUCK
90	F10	Funk Bros	Br SECTION
91	F11	Sweet Oboe	Rp SAX/RD
92	F12	Soft RnB	Ld SOFT
93	F13	Fazer Pad	Pd BRIGHT
94	F14	Mckinley	Me MOTION
95	F15	StoneArp	Se SYNTH
96	F16	BollogPuls	Co SEQ
97	G01	80s Layer	Ap OTHER
98	G02	Analog EP	Kb E.PIANO
99	G03	GX1	Sc HARD
100	G04	DistFull	Or ELEC.
101	G05	Dist. Lick	Gt E.GTR
102	G06	Boogie 1	Ba SYNTH
103	G07	PizzSect	St ENSEM.
104	G08	Big Band 2	Br SECTION
105	G09	Ney Arp	Rp PIPE
106	G10	Velo Flute	Rp PIPE
107	G11	BassoonVib	Rp SAX/RD
108	G12	Inda Night	Ld SOFT
109	G13	Silverlake	Pd SOFT
110	G14	Glass Tube	Me MOTION
111	G15	In My Head	Se SYNTH
112	G16	Elec Drum	Co SEQ
113	H01	Piano&Str	Ap OTHER
114	H02	WurliAmped	Kb E.PIANO
115	H03	PluckBells	Sc HARD
116	H04	Compact	Or ELEC.
117	H05	OverTheTop	Gt E.GTR
118	H06	KickBass	Ba SYNTH
119	H07	VP Soft	St SYNTH
120	H08	Hybrid	Br SECTION
121	H09	Shukran	Co SPLIT
122	H10	OrcDrummer	Dr DRUMS
123	H11	IrishPipe	Rp PIPE
124	H12	R&B Solo	Ld HARD
125	H13	Whisperer	Pd BRIGHT
126	H14	Magnetics	Me MOTION
127	H15	Sand ES	Me MOTION
128	H16	Dawn	Co SEQ

GM (MSB=0, LSB=0)

Номер	Название голоса	Категория	Субкатегория	
1	A01	ConcertGnd	Ap	A.PIANO
2	A02	Rock Brite	Ap	A.PIANO
3	A03	CP 2001	Ap	E.GRAND
4	A04	Honkytonk	Ap	A.PIANO
5	A05	E.PIano 1	Kb	E.PIANO
6	A06	E.PIano 2	Kb	E.PIANO
7	A07	Harpicord	Kb	OTHER
8	A08	Brite Clav	Kb	CLAVI
9	A09	Celeste	Cp	MALLET
10	A10	Glocken	Cp	MALLET
11	A11	Music Box	Cp	PERC.
12	A12	Vibes	Cp	MALLET
13	A13	Marimba	Cp	MALLET
14	A14	Xylophone	Cp	MALLET
15	A15	TubulrBel	Cp	BELL
16	A16	Dulcimar	Cp	PERC.
17	B01	Draw Organ	Or	ELEC.
18	B02	Perc Organ	Or	ELEC.
19	B03	Rock Organ	Or	ELEC.
20	B04	ChurchOrgn	Or	PIPE
21	B05	Reed Organ	Or	OTHER
22	B06	Accordion	Kb	OTHER
23	B07	Harmonica	Rp	OTHER
24	B08	TangoAccrd	Kb	OTHER
25	B09	Velo Nylon	Gt	A.GTR
26	B10	Steel	Gt	A.GTR
27	B11	ModernJazz	Gt	E.GTR
28	B12	Clean Gt	Gt	E.GTR
29	B13	Mute	Gt	E.GTR
30	B14	Overdrive	Gt	E.GTR
31	B15	Distortion	Gt	E.GTR
32	B16	Harmonics	Gt	E.GTR
33	C01	Acoustic	Ba	A.BASS
34	C02	FingerBass	Ba	E.BASS
35	C03	PickBass	Ba	E.BASS
36	C04	Fretless	Ba	E.BASS
37	C05	SimpleSlap	Ba	E.BASS
38	C06	FingSlp SW	Ba	E.BASS
39	C07	SynthBass1	Ba	SYNTH
40	C08	SynthBass2	Ba	SYNTH
41	C09	Violin 3	St	SOLO
42	C10	Viola 3	St	SOLO
43	C11	Cello 3	St	SOLO
44	C12	Contrabas2	St	SOLO
45	C13	TremoloStr	St	ENSEM.
46	C14	Pizz	St	ENSEM.
47	C15	Harp	Gt	PLUCK
48	C16	Tmpni+Cym	Cp	PERC.
49	D01	StereoSt1	St	ENSEM.
50	D02	StereoSt2	St	ENSEM.
51	D03	Grand Saw	St	SYNTH
52	D04	SynString	St	SYNTH
53	D05	Aah Choir	Pd	CHOIR
54	D06	Ooh Choir	Pd	CHOIR
55	D07	Syn Voice	Pd	CHOIR
56	D08	Orch.Hit	Me	HIT
57	D09	Trumpet	Br	SOLO
58	D10	Trombone2	Br	SOLO
59	D11	Tuba	Br	SOLO
60	D12	MuteTrpt	Br	SOLO
61	D13	F.Horns	Br	SECTION
62	D14	Brass Sect	Br	SECTION
63	D15	SynthBrass	Br	SYNTH
64	D16	SoftBrs GM	Br	SYNTH

Номер	Название голоса	Категория	Субкатегория	
65	E01	Soprano2	Rp	SAX/RD
66	E02	Alto Sax	Rp	SAX/RD
67	E03	TenorSax2	Rp	SAX/RD
68	E04	Bari Sax	Rp	SAX/RD
69	E05	Oboe	Rp	SAX/RD
70	E06	Eng.Horn	Rp	SAX/RD
71	E07	Bassoon	Rp	SAX/RD
72	E08	Clarinet 2	Rp	SAX/RD
73	E09	Piccolo	Rp	PIPE
74	E10	Flute	Rp	PIPE
75	E11	Recorder	Rp	PIPE
76	E12	Panflute	Rp	PIPE
77	E13	Bottle	Rp	PIPE
78	E14	Shakuhachi	Rp	PIPE
79	E15	Whistle	Rp	PIPE
80	E16	Ocarina	Rp	PIPE
81	F01	Square Ld	Ld	HARD
82	F02	Saw Ld	Ld	HARD
83	F03	Callip Ld	Ld	SOFT
84	F04	Chiff Ld	Ld	HARD
85	F05	Charan Ld	Ld	HARD
86	F06	Voice Ld	Ld	SOFT
87	F07	Fifth Ld	Ld	HARD
88	F08	Bass&Ld	Ld	HARD
89	F09	New Age	Pd	BRIGHT
90	F10	Warm Pad	Pd	SOFT
91	F11	Poly Synth	Pd	BRIGHT
92	F12	Choir Pad	Pd	CHOIR
93	F13	BowedPad	Pd	SOFT
94	F14	Metal Pad	Pd	BRIGHT
95	F15	Halo Pad	Pd	BRIGHT
96	F16	Sweep Pad	Pd	BRIGHT
97	G01	Rain Pad	Me	MOTION
98	G02	SoundTrack	Pd	BRIGHT
99	G03	Crystal	Cp	BELL
100	G04	Atmosphere	Pd	SOFT
101	G05	Brightness	Sc	HARD
102	G06	Goblin	Me	MOTION
103	G07	Echoes	Me	MOTION
104	G08	Sci-Fi	Pd	BRIGHT
105	G09	Sitar	Gt	PLUCK
106	G10	Banjo	Gt	PLUCK
107	G11	Shamisen	Gt	PLUCK
108	G12	Koto	Gt	PLUCK
109	G13	Kalimba	Cp	PERC.
110	G14	Bagpipe	Rp	SAX/RD
111	G15	Fiddle	St	SOLO
112	G16	Shehnai 2	Rp	SAX/RD
113	H01	Tinkerbel	Cp	BELL
114	H02	Agogo	Dr	PERC.
115	H03	Steeldrum	Cp	MALLET
116	H04	Woodblock	Dr	PERC.
117	H05	Taikodrum	Dr	PERC.
118	H06	MelodicTom	Dr	DRUMS
119	H07	Synth Drum	Dr	DRUMS
120	H08	Rev Cymbal	Se	SYNTH
121	H09	Fret Noise	Se	NATUR.
122	H10	BreathNoiz	Se	NATUR.
123	H11	Seashore	Se	NATUR.
124	H12	Tweet	Se	NATUR.
125	H13	Telephone	Se	NATUR.
126	H14	Helicopter	Se	NATUR.
127	H15	Applause	Se	NATUR.
128	H16	Gunshot	Se	NATUR.

Перечень голосов ударных инструментов

Перечень названий голосов ударных инструментов

Предварительные настройки (MSB=63, LSB=32)

№ предварительной настройки	Название голоса	
1	Hyper Std	
2	DryStandrd	
3	NewRock	
4	RockSt1	
5	RockSt2	
6	RockMono1	
7	RockMono2	
8	Hip Hop1	
9	Hip Hop2	
10	Hip Hop3	
11	Hip Hop4	
12	Hip Hop5	
13	Hip Hop6	
14	HipStick1	
15	HipStick2	
16	HipStick3	
17	HipStick4	
18	T9HipKit1	
19	T9HipKit2	
20	R&B Kit1	Эти наборы ударных инструментов были специально запрограммированы для различных музыкальных стилей при близком соответствии стандартному порядку инструментов набора GM.
21	R&B Kit2	
22	R&B Kit3	
23	AnalogT9	
24	AnalogT8	
25	Tekno Kit	
26	House Kit1	
27	House Kit2	
28	Big Kit	
29	Break Kit	
30	Drum'nBass	
31	Acid Kit	
32	Jungle Kit	
33	Electric	
34	Human Kit	
35	Hard Kit	
36	Distorted	
37	Ambient	
38	Jazz Kit	
39	Orchestral	
40	Garage	
41	All Round	Эти оригинальные наборы ударных инструментов для S90 ES, отличаются особым нестандартным порядком для упрощения исполнения.
42	Rock Multi	
43	Hip Multi	
44	Percussion	
45	Latin Perc	
46	Gtr/Bs Fx	
47	Wacko Kit	
48	Wood Bits	
49	Metal Bits	
50	Hands Kit	
51	Scratches	
52	AcstSnares	
53	StSnares	Эти оригинальные наборы ударных инструментов отличаются разнообразием инструментов и особых звуковых эффектов и сгруппированы в соответствии с их типами.
54	AllKicks	
55	DanceKick	
56	EasySnares	
57	Cuban	
58	SynPopKit	
59	Arabic Mix	
60	BellyDance	
61	DanceShare	
62	SpecialSFX	
63	Synthetic	
64	SFX Kit	

GM (MSB=127, LSB=0)

GM Drum No.	Название голоса	
1	Stereo GM	

PRE 6 RockMono1

PRE 7 RockMono2

PRE 8 Hip Hop1

PRE 9 Hip Hop2

PRE 10 Hip Hop3

Нота	№ сигнала	Наименование сигнала
C 0	971	Pc AnaClick
C#0	1392	Dr SdBrMtL
D 0	1398	Dr SdBrSwrL
D#0	1395	Dr SdBrMt2L
E 0	1401	Dr SdBrSwrAtL
F 0	1388	Dr SdLvRolL
F#0	932	Pc Castanet
G 0	1307	Dr SdTgtL1-4
G#0	930	Pc Stick
A 0	1038	Dr BdDry1
A#0	1296	Dr SdBh3R
B 0	1007	Dr BdNm2R
C 1	1045	Dr BdRoom3
C#1	1379	Dr SdClRm2
D 1	1263	Dr SdSon3L
D#1	941	Pc HandClapL
E 1	1266	Dr SdSon4R
F 1	1637	Dr TomFlr L
F#1	1576	Dr HHClRk2R
G 1	1633	Dr TomLow L
G#1	1580	Dr HHPdIRkR
A 1	1629	Dr TomMid L
A#1	1590	Dr HHOpRkR
B 1	1629	Dr TomMid L
C 2	1626	Dr TomHi R
C#2	1671	Dr CrashL
D 2	1626	Dr TomHi R
D#2	1698	Dr RideMono
E 2	1701	Dr ChinaSt
F 2	1700	Dr CupMono2
F#2	912	Pc TambRnSw
G 2	1708	Dr SplashR
G#2	945	Pc Cowbell1
A 2	1671	Dr CrashL
A#2	935	Pc Vibraslaf
B 2	1698	Dr RideMono
C 3	873	Pc Bongo H1
C#3	872	Pc Bongo L
D 3	859	Pc CongaTip
D#3	857	Pc Conga Opn
E 3	866	Pc TumbaOpen
F 3	875	Pc TmbaleH1-3
F#3	879	Pc TmbaleL1-3
G 3	922	Pc AgogoHi
G#3	923	Pc AgogoLo
A 3	893	Pc Cabasa1-2
A#3	891	Pc MaracasSlr
B 3	936	Pc Whistle
C 4	936	Pc Whistle
C#4	926	Pc GuiroShort
D 4	925	Pc GuiroLong
D#4	933	Pc Clave
E 4	934	Pc WoodBlock
F 4	934	Pc WoodBlock
F#4	871	Pc CuicaHi
G 4	870	Pc CuicaLo
G#4	939	Pc TriangleMt
A 4	938	Pc TriangleOp
A#4	899	Pc Shaker 1
B 4	951	Pc SleighBel
C 5	952	Pc BellTree
C#5	1378	Dr SdClRmR
D 5	1358	Dr SdHeavy
D#5	1334	Dr SdRkRim1R
E 5	1355	Dr SdLdwHmono
F 5	1036	Dr BdRk2L
F#5	1321	Dr SdHipR1-2
G 5	1082	Dr BdBreakHrd
G#5	1316	Dr SdTgt4R
A 5	1018	Dr BdHil
A#5	1290	Dr SdBhR1-3
B 5	1015	Dr BdFkHL
C 6	1030	Dr BdFkSonL

Нота	№ сигнала	Наименование сигнала
C 0	971	Pc AnaClick
C#0	1392	Dr SdBrMtL
D 0	1398	Dr SdBrSwrL
D#0	1395	Dr SdBrMt2L
E 0	1401	Dr SdBrSwrAtL
F 0	1388	Dr SdLvRolL
F#0	932	Pc Castanet
G 0	1312	Dr SdTgt2R
G#0	930	Pc Stick
A 0	1040	Dr BdPop
A#0	1315	Dr SdTgt4L
B 0	1007	Dr BdNm2R
C 1	1038	Dr BdDry1
C#1	1378	Dr SdClRmR
D 1	1275	Dr SdBIR1-3
D#1	941	Pc HandClapL
E 1	1308	Dr SdTgtR1-4
F 1	1649	Dr TomRkLoL
F#1	1576	Dr HHClRk2R
G 1	1649	Dr TomRkLoL
G#1	1580	Dr HHPdIRkR
A 1	1645	Dr TomRkMdL
A#1	1590	Dr HHOpRkR
B 1	1645	Dr TomRkMdL
C 2	1642	Dr TomRkHiR
C#2	1671	Dr CrashL
D 2	1642	Dr TomRkHiR
D#2	1688	Dr RideR
E 2	1703	Dr ChinaR
F 2	1696	Dr CupR
F#2	963	Pc TambRnRX5
G 2	1708	Dr SplashR
G#2	945	Pc Cowbell1
A 2	1671	Dr CrashL
A#2	935	Pc Vibraslaf
B 2	1698	Dr RideMono
C 3	873	Pc Bongo H1
C#3	872	Pc Bongo L
D 3	859	Pc CongaTip
D#3	857	Pc Conga Opn
E 3	866	Pc TumbaOpen
F 3	875	Pc TmbaleH1-3
F#3	879	Pc TmbaleL1-3
G 3	922	Pc AgogoHi
G#3	923	Pc AgogoLo
A 3	893	Pc Cabasa1-2
A#3	891	Pc MaracasSlr
B 3	936	Pc Whistle
C 4	936	Pc Whistle
C#4	926	Pc GuiroShort
D 4	925	Pc GuiroLong
D#4	933	Pc Clave
E 4	934	Pc WoodBlock
F 4	934	Pc WoodBlock
F#4	871	Pc CuicaHi
G 4	870	Pc CuicaLo
G#4	939	Pc TriangleMt
A 4	938	Pc TriangleOp
A#4	899	Pc Shaker 1
B 4	951	Pc SleighBel
C 5	952	Pc BellTree
C#5	1364	Dr SdRkSlk2L
D 5	1351	Dr SdMdRim
D#5	1325	Dr SdHip2R
E 5	1350	Dr SdMid
F 5	1043	Dr BdRoom1
F#5	1313	Dr SdTgt3L
G 5	1077	Dr BdHipDp
G#5	1316	Dr SdTgt4R
A 5	1025	Dr BdHsonR
A#5	1327	Dr SdRkOp1L
B 5	1040	Dr BdPop
C 6	1044	Dr BdRoom2

Нота	№ сигнала	Наименование сигнала
C 0	1367	Dr SdHpStk2
C#0	815	Se VoxHitRev
D 0	821	Se TurnTable
D#0	768	Me HitBrass
E 0	844	Se ScratchSdR
F 0	1389	Dr SdLvRolR
F#0	969	Pc ClaveT8
G 0	1325	Dr SdHip2R
G#0	1373	Dr SdHpStk6R
A 0	1077	Dr BdHipDp
A#0	1488	Dr SdDodgL
B 0	1063	Dr BdT8-3
C 1	1062	Dr BdT8-2
C#1	1367	Dr SdHpStk2
D 1	1484	Dr SdClpAna
D#1	942	Pc HandClapR
E 1	1465	Dr SdR&B2
F 1	1660	Dr TomFlr
F#1	1599	Dr HHClT8-1
G 1	1660	Dr TomT8
G#1	1600	Dr HHOpT8-1
A 1	1660	Dr TomT8
A#1	1600	Dr HHOpT8-1
B 1	1660	Dr TomT8
C 2	1660	Dr TomT8
C#2	1675	Dr Crash2
D 2	1660	Dr TomT8
D#2	1688	Dr RideR
E 2	1711	Dr CrashT8
F 2	1713	Dr RideT9
F#2	963	Pc TambRnRX5
G 2	1708	Dr SplashR
G#2	949	Pc MamboBdy
A 2	1710	Dr CrashT9
A#2	935	Pc Vibraslaf
B 2	1713	Dr RideT9
C 3	873	Pc Bongo H1
C#3	872	Pc Bongo L
D 3	859	Pc CongaTip
D#3	857	Pc Conga Opn
E 3	866	Pc TumbaOpen
F 3	875	Pc TmbaleH1-3
F#3	879	Pc TmbaleL1-3
G 3	922	Pc AgogoHi
G#3	923	Pc AgogoLo
A 3	893	Pc Cabasa1-2
A#3	891	Pc MaracasSlr
B 3	936	Pc Whistle
C 4	936	Pc Whistle
C#4	926	Pc GuiroShort
D 4	925	Pc GuiroLong
D#4	933	Pc Clave
E 4	934	Pc WoodBlock
F 4	934	Pc WoodBlock
F#4	871	Pc CuicaHi
G 4	870	Pc CuicaLo
G#4	939	Pc TriangleMt
A 4	938	Pc TriangleOp
A#4	899	Pc Shaker 1
B 4	951	Pc SleighBel
C 5	952	Pc BellTree
C#5	1375	Dr SdHipStk8
D 5	1457	Dr SdJngl3
D#5	942	Pc HandClapR
E 5	1474	Dr SdHipRm5
F 5	834	Se Scratch H
F#5	835	Se Scratch L
G 5	836	Se ScratchDwn
G#5	838	Se ScratchHiR
A 5	841	Se ScratchBdF
A#5	853	Se ScratchCmb
B 5	846	Se ScratchVoR
C 6	1080	Dr BdBreak2

Нота	№ сигнала	Наименование сигнала
C 0	1063	Dr BdT8-3
C#0	1448	Dr SdT8Rim
D 0	1466	Dr SdHip1
D#0	953	Pc ClapT9
E 0	1491	Dr SdSyn
F 0	1389	Dr SdLvRolR
F#0	1369	Dr SdHpStk4
G 0	495	Pc DjembeEd
G#0	1371	Dr SdHpStk6St
A 0	1061	Dr BdT8-1
A#0	1464	Dr SdR&B1Rm
B 0	1081	Dr BdBreakHvy
C 1	1077	Dr BdHipDp
C#1	1446	Dr SdT8-4
D 1	1468	Dr SdHip3
D#1	940	Pc HandClapSt
E 1	1496	Dr SdLofi
F 1	1638	Dr TomFlr R
F#1	1617	Dr HHClOFi
G 1	1633	Dr TomLow L
G#1	1606	Dr HHClBReak
A 1	1633	Dr TomLow L
A#1	1618	Dr HHOpLoFi
B 1	1633	Dr TomLow L
C 2	1625	Dr TomHi L
C#2	1674	Dr Crash
D 2	1625	Dr TomHi L
D#2	1713	Dr RideT9
E 2	1705	Dr China
F 2	1699	Dr CupMono
F#2	963	Pc TambRnRX5
G 2	1674	Dr Crash
G#2	959	Pc CowBelRX11
A 2	1672	Dr CrashR
A#2	958	Pc CowBelT8
B 2	1713	Dr RideT9
C 3	873	Pc Bongo H1
C#3	872	Pc Bongo L
D 3	859	Pc CongaTip
D#3	858	Pc CongaOpSlp
E 3	857	Pc Conga Opn
F 3	753	Me RadioNz
F#3	753	Me RadioNz
G 3	923	Pc AgogoLo
G#3	923	Pc AgogoLo
A 3	894	Pc Cabasa1
A#3	967	Pc MarcsT8
B 3	818	Se FxGun2
C 4	819	Se FxGun1
C#4	848	Se ScratchSpn
D 4	847	Se ScratchStp
D#4	969	Pc ClaveT8
E 4	823	Se DoorSqk
F 4	814	Se HiQ2
F#4	841	Se ScratchBdF
G 4	842	Se ScratchBdR
G#4	939	Pc TriangleMt
A 4	938	Pc TriangleOp
A#4	962	Pc AnaShaker
B 4	913	Pc TambRnHit
C 5	952	Pc BellTree
C#5	1454	Dr SdHuman2
D 5	1479	Dr SdBreakRol
D#5	771	Me StabHard
E 5	1455	Dr SdJngl1
F 5	1032	Dr BdRk1St
F#5	836	Se ScratchDwn
G 5	494	Pc Wataiko
G#5	740	Me HH Hit
A 5	772	Me StabOrgan2
A#5	765	Me Sonar1
B 5	821	Se TurnTable
C 6	822	Se Police

Нота	№ сигнала	Наименование сигнала
C 0	1448	Dr SdT8Rim
C#0	815	Se VoxHitRev
D 0	821	Se TurnTable
D#0	771	Me StabHard
E 0	846	Se ScratchVoR
F 0	1390	Dr SdRollMono
F#0	969	Pc ClaveT8
G 0	1323	Dr SdHip1R
G#0	1369	Dr SdHpStk4
A 0	1065	Dr BdAnCR
A#0	1472	Dr SdHipRm3
B 0	1056	Dr BdT9-3
C 1	1077	Dr BdHipDp
C#1	1370	Dr SdHpStk5
D 1	1469	Dr SdHipGate
D#1	942	Pc HandClapR
E 1	1496	Dr SdLofi
F 1	1660	Dr TomT8
F#1	1614	Dr HHClHip
G 1	1660	Dr TomT8
G#1	1615	Dr HHPdIRHip
A 1	1660	Dr TomT8
A#1	1616	Dr HHOpHip
B 1	1660	Dr TomT8
C 2	1660	Dr TomT8
C#2	1675	Dr Crash2
D 2	1660	Dr TomT8
D#2	1688	Dr RideR
E 2	1711	Dr CrashT8
F 2	1713	Dr RideT9
F#2	963	Pc TambRnRX5
G 2	1708	Dr SplashR
G#2	949	Pc MamboBdy
A 2	1710	Dr CrashT9
A#2	935	Pc Vibraslaf
B 2	1713	Dr RideT9
C 3	873	Pc Bongo H1
C#3	872	Pc Bongo L
D 3	859	Pc CongaTip
D#3	858	Pc CongaOpSlp
E 3	857	Pc Conga Opn
F 3	875	Pc TmbaleH1-3
F#3	879	Pc TmbaleL1-3
G 3	922	Pc AgogoHi
G#3	923	Pc AgogoLo
A 3	902	Pc ShakerHip1
A#3	891	Pc MaracasSlr
B 3	936	Pc Whistle
C 4	936	Pc Whistle
C#4	926	Pc GuiroShort
D 4	925	Pc GuiroLong
D#4	933	Pc Clave
E 4	934	Pc WoodBlock
F 4	934	Pc WoodBlock
F#4	871	Pc CuicaHi
G 4	870	Pc CuicaLo
G#4	939	Pc TriangleMt
A 4	938	Pc TriangleOp
A#4	899	Pc Shaker 1
B 4	951	Pc SleighBel
C 5	952	Pc BellTree
C#5	1366	Dr SdHpStk1
D 5	1455	Dr SdJngl1
D#5	942	Pc HandClapR
E 5	1478	Dr SdBreakHvy
F 5	835	Se Scratch L
F#5	836	Se ScratchDwn
G 5	837	Se ScratchLoF
G#5	839	Se ScratchHiF
A 5	840	Se ScratchLoR
A#5	841	Se ScratchBdF
B 5	842	Se ScratchBdR
C 6	1081	Dr BdBreakHvy

PRE 11 Hip Hop4

PRE 12 Hip Hop5

PRE 13 Hip Hop6

PRE 14 HipStick1

PRE 15 HipStick2

Нота	№ сигнала	Наименование сигнала
C 0	1367	Dr SdHpStk2
C#0	814	Se HIQ2
D 0	821	Se TurnTable
D#0	767	Me HitOrch1
E 0	848	Se ScratchSpn
F 0	1383	Dr SdRkRolR
F#0	969	Pc ClaveT8
G 0	1477	Dr SdBkRk3
G#0	1374	Dr SdHpStk7
A 0	1076	Dr BdR&B2
A#0	1464	Dr SdR&B1Rm
B 0	1057	Dr BdT9-4
C 1	1055	Dr BdT9-2
C#1	1368	Dr SdHpStk3
D 1	1472	Dr SdHpRm3
D#1	942	Pc HandClapR
E 1	1473	Dr SdHpRm4
F 1	1063	Dr BdT8-3
F#1	1597	Dr HHCIT9
G 1	1063	Dr BdT8-3
G#1	1598	Dr HHOpT9
A 1	1063	Dr BdT8-3
A#1	1598	Dr HHOpT9
B 1	1063	Dr BdT8-3
C 2	1063	Dr BdT8-3
C#2	1675	Dr Crash2
D 2	1063	Dr BdT8-3
D#2	1688	Dr RideR
E 2	1711	Dr CrashT8
F 2	1713	Dr RideT9
F#2	963	Pc TambnRX5
G 2	1708	Dr SplashR
G#2	949	Pc MamboBdy
A 2	1710	Dr CrashT9
A#2	935	Pc Vibraslap
B 2	1713	Dr RideT9
C 3	873	Pc Bongo H1
C#3	872	Pc Bongo L
D 3	859	Pc CongaTip
D#3	858	Pc CongaOpSlp
E 3	857	Pc Conga Opn
F 3	875	Pc TmbaleH1-3
F#3	879	Pc TmbaleL1-3
G 3	922	Pc AgogoHi
G#3	923	Pc AgogoLo
A 3	902	Pc ShakerHip1
A#3	891	Pc MaracasSlr
B 3	936	Pc Whistle
C 4	936	Pc Whistle
C#4	926	Pc GuiroShort
D 4	925	Pc GuiroLong
D#4	933	Pc Clave
E 4	934	Pc WoodBlock
F 4	934	Pc WoodBlock
F#4	871	Pc CuicaHi
G 4	870	Pc CuicaLo
G#4	939	Pc TriangleMt
A 4	938	Pc TriangleOp
A#4	899	Pc Shaker 1
B 4	951	Pc SleighBel
C 5	952	Pc BellTree
C#5	1376	Dr SdClRmSt
D 5	1458	Dr SdJnglFx
D#5	942	Pc HandClapR
E 5	1479	Dr SdBkRk2
F 5	838	Se ScratchHIR
F#5	839	Se ScratchLoF
G 5	840	Se ScratchLoR
G#5	841	Se ScratchBdF
A 5	842	Se ScratchBdR
A#5	843	Se ScratchSdF
B 5	844	Se ScratchSdR
C 6	1082	Dr BdBreakHrd

Нота	№ сигнала	Наименование сигнала
C 0	1366	Dr SdHpStk1
C#0	813	Se HIQ1
D 0	821	Se TurnTable
D#0	774	Me Hit Uhh
E 0	847	Se ScratchStp
F 0	1388	Dr SdLvRoL
F#0	969	Pc ClaveT8
G 0	1486	Dr SdCut
G#0	1362	Dr SnRkStk1R
A 0	1055	Dr BdT9-2
A#0	1470	Dr SdHipRm1
B 0	1061	Dr BdT8-1
C 1	1078	Dr BdRkDp
C#1	1380	Dr SdClRim3
D 1	1471	Dr SdHipRm2
D#1	942	Pc HandClapR
E 1	1463	Dr SdR&B1
F 1	1063	Pc CongaT8
F#1	1599	Dr HHCIT8-1
G 1	957	Pc CongaT8
G#1	1601	Dr HHCIT8-2
A 1	957	Pc CongaT8
A#1	1602	Dr HHOpT8-2
B 1	957	Pc CongaT8
C 2	957	Pc CongaT8
C#2	1675	Dr Crash2
D 2	957	Pc CongaT8
D#2	1688	Dr RideR
E 2	1711	Dr CrashT8
F 2	1713	Dr RideT9
F#2	963	Pc TambnRX5
G 2	1708	Dr SplashR
G#2	949	Pc MamboBdy
A 2	1710	Dr CrashT9
A#2	935	Pc Vibraslap
B 2	1713	Dr RideT9
C 3	873	Pc Bongo H1
C#3	872	Pc Bongo L
D 3	859	Pc CongaTip
D#3	857	Pc Conga Opn
E 3	866	Pc TumbaOpen
F 3	875	Pc TmbaleH1-3
F#3	879	Pc TmbaleL1-3
G 3	922	Pc AgogoHi
G#3	923	Pc AgogoLo
A 3	893	Pc Cabasa1-2
A#3	891	Pc MaracasSlr
B 3	936	Pc Whistle
C 4	936	Pc Whistle
C#4	926	Pc GuiroShort
D 4	925	Pc GuiroLong
D#4	933	Pc Clave
E 4	934	Pc WoodBlock
F 4	934	Pc WoodBlock
F#4	871	Pc CuicaHi
G 4	870	Pc CuicaLo
G#4	939	Pc TriangleMt
A 4	938	Pc TriangleOp
A#4	899	Pc Shaker 1
B 4	951	Pc SleighBel
C 5	952	Pc BellTree
C#5	1378	Dr SdClRmR
D 5	1450	Dr SdAnSmRim
D#5	940	Pc HandClapSt
E 5	1468	Dr SdHip3
F 5	844	Se ScratchSdR
F#5	849	Se ScratchHip
G 5	842	Se ScratchBdR
G#5	846	Se ScratchVoR
A 5	850	Se ScratchHp2
A#5	854	Se ScratchCb2
B 5	856	Se ScratchCb4
C 6	1077	Dr BdHipDp

Нота	№ сигнала	Наименование сигнала
C 0	1366	Dr SdHpStk1
C#0	797	Se Zap2
D 0	821	Se TurnTable
D#0	790	Se Ripper
E 0	850	Se ScratchHp2
F 0	1388	Dr SdLvRoL
F#0	969	Pc ClaveT8
G 0	1476	Dr SdBkRk2
G#0	1364	Dr SdRkStk2L
A 0	1043	Dr BdRoom1
A#0	1468	Dr SdHip3
B 0	1056	Dr BdT9-3
C 1	1075	Dr BdR&B1
C#1	1364	Dr SdRkStk2L
D 1	1466	Dr SdHip1
D#1	942	Pc HandClapR
E 1	1467	Dr SdHip2
F 1	957	Pc CongaT8
F#1	1614	Dr HHCIT8-1
G 1	957	Pc CongaT8
G#1	1615	Dr HHOpT8-1
A 1	957	Pc CongaT8
A#1	1616	Dr HHOpHip
B 1	957	Pc CongaT8
C 2	957	Pc CongaT8
C#2	1675	Dr Crash2
D 2	957	Pc CongaT8
D#2	1688	Dr RideR
E 2	1711	Dr CrashT8
F 2	1713	Dr RideT9
F#2	963	Pc TambnRX5
G 2	1708	Dr SplashR
G#2	949	Pc MamboBdy
A 2	1710	Dr CrashT9
A#2	935	Pc Vibraslap
B 2	1713	Dr RideT9
C 3	873	Pc Bongo H1
C#3	872	Pc Bongo L
D 3	859	Pc CongaTip
D#3	857	Pc Conga Opn
E 3	866	Pc TumbaOpen
F 3	875	Pc TmbaleH1-3
F#3	879	Pc TmbaleL1-3
G 3	922	Pc AgogoHi
G#3	923	Pc AgogoLo
A 3	893	Pc Cabasa1-2
A#3	891	Pc MaracasSlr
B 3	936	Pc Whistle
C 4	936	Pc Whistle
C#4	926	Pc GuiroShort
D 4	925	Pc GuiroLong
D#4	933	Pc Clave
E 4	934	Pc WoodBlock
F 4	934	Pc WoodBlock
F#4	871	Pc CuicaHi
G 4	870	Pc CuicaLo
G#4	939	Pc TriangleMt
A 4	938	Pc TriangleOp
A#4	899	Pc Shaker 1
B 4	951	Pc SleighBel
C 5	952	Pc BellTree
C#5	1380	Dr SdClRim3
D 5	1449	Dr SdAnSm
D#5	940	Pc HandClapSt
E 5	1465	Dr SdR&B2
F 5	834	Se Scratch H
F#5	835	Se Scratch L
G 5	836	Se ScratchDwn
G#5	837	Se ScratchHiF
A 5	838	Se ScratchHIR
A#5	839	Se ScratchLoF
B 5	840	Se ScratchLoR
C 6	1071	Dr BdJngl2

Нота	№ сигнала	Наименование сигнала
C 0	1473	Dr SdHipRm4
C#0	813	Se HIQ1
D 0	821	Se TurnTable
D#0	767	Me HitOrch1
E 0	842	Se ScratchBdR
F 0	1389	Dr SdLvRoL
F#0	971	Pc AnaClick
G 0	1472	Dr SdHipRm3
G#0	1452	Dr SdAnCRRim
A 0	1077	Dr BdHipDp
A#0	1450	Dr SdAnSmRim
B 0	1063	Dr BdT8-3
C 1	1062	Dr BdT8-2
C#1	1448	Dr SdTRim
D 1	1366	Dr SdHpStk1
D#1	942	Pc HandClapR
E 1	1367	Dr SdHpStk2
F 1	1660	Dr TomT8
F#1	1599	Dr HHCIT8-1
G 1	1660	Dr TomT8
G#1	1600	Dr HHOpT8-1
A 1	1660	Dr TomT8
A#1	1600	Dr HHOpT8-1
B 1	1660	Dr TomT8
C 2	1660	Dr TomT8
C#2	1675	Dr Crash2
D 2	1660	Dr TomT8
D#2	1688	Dr RideR
E 2	1711	Dr CrashT8
F 2	1713	Dr RideT9
F#2	963	Pc TambnRX5
G 2	1708	Dr SplashR
G#2	949	Pc MamboBdy
A 2	1710	Dr CrashT9
A#2	935	Pc Vibraslap
B 2	1713	Dr RideT9
C 3	873	Pc Bongo H1
C#3	872	Pc Bongo L
D 3	859	Pc CongaTip
D#3	857	Pc Conga Opn
E 3	866	Pc TumbaOpen
F 3	875	Pc TmbaleH1-3
F#3	879	Pc TmbaleL1-3
G 3	922	Pc AgogoHi
G#3	923	Pc AgogoLo
A 3	893	Pc Cabasa1-2
A#3	891	Pc MaracasSlr
B 3	936	Pc Whistle
C 4	936	Pc Whistle
C#4	926	Pc GuiroShort
D 4	925	Pc GuiroLong
D#4	933	Pc Clave
E 4	934	Pc WoodBlock
F 4	934	Pc WoodBlock
F#4	871	Pc CuicaHi
G 4	870	Pc CuicaLo
G#4	939	Pc TriangleMt
A 4	938	Pc TriangleOp
A#4	899	Pc Shaker 1
B 4	951	Pc SleighBel
C 5	952	Pc BellTree
C#5	1449	Dr SdAnSm
D 5	1380	Dr SdClRim3
D#5	971	Pc AnaClick
E 5	1379	Dr SdClRim2
F 5	834	Se Scratch H
F#5	835	Se Scratch L
G 5	836	Se ScratchDwn
G#5	838	Se ScratchHiR
A 5	841	Se ScratchBdF
A#5	853	Se ScratchCmb
B 5	846	Se ScratchVoR
C 6	1071	Dr BdJngl2

Нота	№ сигнала	Наименование сигнала
C 0	1473	Dr SdHipRm4
C#0	795	Se NzBurst
D 0	821	Se TurnTable
D#0	774	Me Hit Uhh
E 0	842	Se ScratchBdR
F 0	1389	Dr SdLvRoL
F#0	969	Pc ClaveT8
G 0	1450	Dr SdAnSmRim
G#0	1469	Dr SdHipGate
A 0	1056	Dr BdT9-3
A#0	1448	Dr SdTRim
B 0	1062	Dr BdT8-2
C 1	1054	Dr BdT9-1
C#1	1472	Dr SdHipRm3
D 1	1368	Dr SdHpStk3
D#1	942	Pc HandClapR
E 1	1369	Dr SdHpStk4
F 1	1659	Dr TomT9Lo
F#1	1597	Dr HHCIT9
G 1	1659	Dr TomT9Lo
G#1	1598	Dr HHOpT9
A 1	1659	Dr TomT9Lo
A#1	1598	Dr HHOpT9
B 1	1658	Dr TomT9Hi
C 2	1658	Dr TomT9Hi
C#2	1675	Dr Crash2
D 2	1658	Dr TomT9Hi
D#2	1688	Dr RideR
E 2	1711	Dr CrashT8
F 2	1713	Dr RideT9
F#2	963	Pc TambnRX5
G 2	1708	Dr SplashR
G#2	949	Pc MamboBdy
A 2	1710	Dr CrashT9
A#2	935	Pc Vibraslap
B 2	1713	Dr RideT9
C 3	873	Pc Bongo H1
C#3	872	Pc Bongo L
D 3	859	Pc CongaTip
D#3	858	Pc CongaOpSlp
E 3	857	Pc Conga Opn
F 3	875	Pc TmbaleH1-3
F#3	879	Pc TmbaleL1-3
G 3	922	Pc AgogoHi
G#3	923	Pc AgogoLo
A 3	902	Pc ShakerHip1
A#3	891	Pc MaracasSlr
B 3	936	Pc Whistle
C 4	936	Pc Whistle
C#4	926	Pc GuiroShort
D 4	925	Pc GuiroLong
D#4	933	Pc Clave
E 4	934	Pc WoodBlock
F 4	934	Pc WoodBlock
F#4	871	Pc CuicaHi
G 4	870	Pc CuicaLo
G#4	939	Pc TriangleMt
A 4	938	Pc TriangleOp
A#4	899	Pc Shaker 1
B 4	951	Pc SleighBel
C 5	952	Pc BellTree
C#5	1450	Dr SdAnSmRim
D 5	1378	Dr SdClRmR
D#5	1473	Dr SdHipRm4
E 5	1380	Dr SdClRim3
F 5	835	Se Scratch L
F#5	836	Se ScratchDwn
G 5	837	Se ScratchLoF
G#5	839	Se ScratchLoH
A 5	842	Se ScratchBdR
A#5	854	Se ScratchCb2
B 5	847	Se ScratchStp
C 6	1069	Dr BdBlpHd

PRE 16 HipStick3

Нота	№ сигнала	Наименование сигнала
C 0	1490	Dr SdFMRim
C#0	816	Se Bomb
D 0	821	Se TurnTable
D#0	776	Me VoxDrum
E 0	841	Se ScratchBdF
F 0	1389	Dr SdLvRolR
F#0	934	Pc WoodBlock
G 0	1452	Dr SdAnCRrim
G#0	1468	Dr SdHip3
A 0	1063	Dr BdT8-3
A#0	1442	Dr SdT9Rim
B 0	1061	Dr BdT8-1
C 1	1055	Dr BdT9-2
C#1	1473	Dr SdHipRm4
D 1	1370	Dr SdHpStk5
D#1	942	Pc HandClapR
E 1	1371	Dr SdHpStk6St
F 1	1063	Dr BdT8-3
F#1	1614	Dr HHClHip
G 1	1063	Dr BdT8-3
G#1	1615	Dr HHpdHip
A 1	1063	Dr BdT8-3
A#1	1616	Dr HHOpHip
B 1	1063	Dr BdT8-3
C 2	1063	Dr BdT8-3
C#2	1675	Dr Crash2
D 2	1063	Dr BdT8-3
D#2	1688	Dr RideR
E 2	1711	Dr CrashT8
F 2	1713	Dr RideT9
F#2	963	Pc TambnRX5
G 2	1708	Dr SplashR
G#2	949	Pc MamboBdy
A 2	1710	Dr CrashT9
A#2	935	Pc Vibraslap
B 2	1713	Dr RideT9
C 3	873	Pc Bongo H1
C#3	872	Pc Bongo L
D 3	859	Pc CongaTip
D#3	857	Pc Conga Opn
E 3	866	Pc TumbaOpen
F 3	875	Pc TmbaleH1-3
F#3	879	Pc TmbaleL1-3
G 3	922	Pc AgogoHi
G#3	923	Pc AgogoLo
A 3	893	Pc Cabasa1-2
A#3	891	Pc MaracasSlr
B 3	936	Pc Whistle
C 4	936	Pc Whistle
C#4	926	Pc GuiroShort
D 4	925	Pc GuiroLong
D#4	933	Pc Clave
E 4	934	Pc WoodBlock
F 4	934	Pc WoodBlock
F#4	871	Pc CuicaHi
G 4	870	Pc CuicaLo
G#4	939	Pc TriangleMt
A 4	938	Pc TriangleOp
A#4	899	Pc Shaker 1
B 4	951	Pc SleighBel
C 5	952	Pc BellTree
C#5	1450	Dr SdAnSmRim
D 5	1378	Dr SdClRmR
D#5	1473	Dr SdHipRm4
E 5	1379	Dr SdClRmL
F 5	835	Se Scratch L
F#5	836	Se ScratchDwn
G 5	837	Se ScratchHif
G#5	839	Se ScratchLoF
A 5	842	Se ScratchBdR
A#5	854	Se ScratchCb2
B 5	847	Se ScratchStp
C 6	1068	Dr BdBlip

PRE 17 HipStick4

Нота	№ сигнала	Наименование сигнала
C 0	1497	Dr SdRimSE
C#0	953	Pc ClapT9
D 0	821	Se TurnTable
D#0	816	Se Bomb
E 0	853	Se ScratchCmb
F 0	1390	Dr SdRollMono
F#0	1442	Dr SdT9Rim
G 0	1472	Dr SdHipRm3
G#0	1455	Dr SdJngl1
A 0	1045	Dr BdRoom3
A#0	1372	Dr SdHpStk6L
B 0	1056	Dr BdT9-3
C 1	1057	Dr BdT9-4
C#1	1473	Dr SdHipRm4
D 1	1374	Dr SdHpStk7
D#1	942	Pc HandClapR
E 1	1375	Dr SdHpStk8
F 1	957	Pc CongaT8
F#1	1612	Dr HHClTtek
G 1	957	Pc CongaT8
G#1	1604	Dr HHClAnCR
A 1	957	Pc CongaT8
A#1	1613	Dr HHOpTek
B 1	957	Pc CongaT8
C 2	957	Pc CongaT8
C#2	1675	Dr Crash2
D 2	957	Pc CongaT8
D#2	1688	Dr RideR
E 2	1711	Dr CrashT8
F 2	1713	Dr RideT9
F#2	963	Pc TambnRX5
G 2	1708	Dr SplashR
G#2	949	Pc MamboBdy
A 2	1710	Dr CrashT9
A#2	935	Pc Vibraslap
B 2	1713	Dr RideT9
C 3	873	Pc Bongo H1
C#3	872	Pc Bongo L
D 3	859	Pc CongaTip
D#3	857	Pc Conga Opn
E 3	866	Pc TumbaOpen
F 3	875	Pc TmbaleH1-3
F#3	879	Pc TmbaleL1-3
G 3	922	Pc AgogoHi
G#3	923	Pc AgogoLo
A 3	893	Pc Cabasa1-2
A#3	891	Pc MaracasSlr
B 3	936	Pc Whistle
C 4	936	Pc Whistle
C#4	926	Pc GuiroShort
D 4	925	Pc GuiroLong
D#4	933	Pc Clave
E 4	934	Pc WoodBlock
F 4	934	Pc WoodBlock
F#4	871	Pc CuicaHi
G 4	870	Pc CuicaLo
G#4	939	Pc TriangleMt
A 4	938	Pc TriangleOp
A#4	899	Pc Shaker 1
B 4	951	Pc SleighBel
C 5	952	Pc BellTree
C#5	1450	Dr SdAnSmRim
D 5	1440	Dr SdT9-5
D#5	1472	Dr SdHipRm3
E 5	1377	Dr SdClRmL
F 5	839	Se ScratchLoF
F#5	840	Se ScratchLoR
G 5	841	Se ScratchBdF
G#5	842	Se ScratchBdR
A 5	843	Se ScratchSdF
A#5	844	Se ScratchSdR
B 5	845	Se ScratchVoF
C 6	1062	Dr BdT8-2

PRE 18 T9HipKit1

Нота	№ сигнала	Наименование сигнала
C 0	969	Pc ClaveT8
C#0	1440	Dr SdT9-5
D 0	821	Se TurnTable
D#0	761	Me Quiek
E 0	855	Se ScratchCb3
F 0	1388	Dr SdLvRolL
F#0	971	Pc AnaClick
G 0	1441	Dr SdT9Gate
G#0	1497	Dr SdRimSE
A 0	1056	Dr BdT9-3
A#0	1438	Dr SdT9-3
B 0	1055	Dr BdT9-2
C 1	1054	Dr BdT9-1
C#1	1442	Dr SdT9Rim
D 1	1440	Dr SdT9-5
D#1	953	Pc ClapT9
E 1	1439	Dr SdT9-4
F 1	1659	Dr TomT9Lo
F#1	1597	Dr HHClT9
G 1	1659	Dr TomT9Lo
G#1	1598	Dr HHOpT9
A 1	1659	Dr TomT9Lo
A#1	1598	Dr HHOpT9
B 1	1659	Dr TomT9Lo
C 2	1658	Dr TomT9Hi
C#2	1710	Dr CrashT9
D 2	1658	Dr TomT9Hi
D#2	1713	Dr RideT9
E 2	1710	Dr CrashT9
F 2	1713	Dr RideT9
F#2	963	Pc TambnRX5
G 2	1710	Dr CrashT9
G#2	960	Pc CowBelAnCR
A 2	1710	Dr CrashT9
A#2	935	Pc Vibraslap
B 2	1713	Dr RideT9
C 3	873	Pc Bongo H1
C#3	872	Pc Bongo L
D 3	859	Pc CongaTip
D#3	857	Pc Conga Opn
E 3	866	Pc TumbaOpen
F 3	875	Pc TmbaleH1-3
F#3	879	Pc TmbaleL1-3
G 3	922	Pc AgogoHi
G#3	923	Pc AgogoLo
A 3	893	Pc Cabasa1-2
A#3	891	Pc MaracasSlr
B 3	936	Pc Whistle
C 4	936	Pc Whistle
C#4	926	Pc GuiroShort
D 4	925	Pc GuiroLong
D#4	933	Pc Clave
E 4	934	Pc WoodBlock
F 4	934	Pc WoodBlock
F#4	871	Pc CuicaHi
G 4	870	Pc CuicaLo
G#4	939	Pc TriangleMt
A 4	938	Pc TriangleOp
A#4	899	Pc Shaker 1
B 4	951	Pc SleighBel
C 5	952	Pc BellTree
C#5	1442	Dr SdT9Rim
D 5	1441	Dr SdT9Gate
D#5	940	Pc HandClapSt
E 5	1440	Dr SdT9-5
F 5	834	Se Scratch H
F#5	835	Se Scratch L
G 5	836	Se ScratchDwn
G#5	837	Se ScratchHif
A 5	838	Se ScratchHIR
A#5	839	Se ScratchLoF
B 5	840	Se ScratchLoR
C 6	1058	Dr BdT9Hd1

PRE 19 T9HipKit2

Нота	№ сигнала	Наименование сигнала
C 0	969	Pc ClaveT8
C#0	1440	Dr SdT9-5
D 0	821	Se TurnTable
D#0	761	Me Quiek
E 0	855	Se ScratchCb3
F 0	1388	Dr SdLvRolL
F#0	971	Pc AnaClick
G 0	1441	Dr SdT9Gate
G#0	1452	Dr SdAnCRrim
A 0	1060	Dr BdT9Hd3
A#0	1437	Dr SdT9-2
B 0	1059	Dr BdT9Hd2
C 1	1058	Dr BdT9Hd1
C#1	1442	Dr SdT9Rim
D 1	1436	Dr SdT9-1
D#1	953	Pc ClapT9
E 1	1440	Dr SdT9-5
F 1	1659	Dr TomT9Lo
F#1	1597	Dr HHClT9
G 1	1659	Dr TomT9Lo
G#1	1598	Dr HHOpT9
A 1	1659	Dr TomT9Lo
A#1	1598	Dr HHOpT9
B 1	1659	Dr TomT9Lo
C 2	1658	Dr TomT9Hi
C#2	1710	Dr CrashT9
D 2	1658	Dr TomT9Hi
D#2	1713	Dr RideT9
E 2	1710	Dr CrashT9
F 2	1713	Dr RideT9
F#2	963	Pc TambnRX5
G 2	1710	Dr CrashT9
G#2	960	Pc CowBelAnCR
A 2	1710	Dr CrashT9
A#2	935	Pc Vibraslap
B 2	1713	Dr RideT9
C 3	873	Pc Bongo H1
C#3	872	Pc Bongo L
D 3	859	Pc CongaTip
D#3	857	Pc Conga Opn
E 3	866	Pc TumbaOpen
F 3	875	Pc TmbaleH1-3
F#3	879	Pc TmbaleL1-3
G 3	922	Pc AgogoHi
G#3	923	Pc AgogoLo
A 3	893	Pc Cabasa1-2
A#3	891	Pc MaracasSlr
B 3	936	Pc Whistle
C 4	936	Pc Whistle
C#4	926	Pc GuiroShort
D 4	925	Pc GuiroLong
D#4	933	Pc Clave
E 4	934	Pc WoodBlock
F 4	934	Pc WoodBlock
F#4	871	Pc CuicaHi
G 4	870	Pc CuicaLo
G#4	939	Pc TriangleMt
A 4	938	Pc TriangleOp
A#4	899	Pc Shaker 1
B 4	951	Pc SleighBel
C 5	952	Pc BellTree
C#5	1442	Dr SdT9Rim
D 5	1440	Dr SdT9-5
D#5	953	Pc ClapT9
E 5	1439	Dr SdT9-4
F 5	834	Se Scratch H
F#5	835	Se Scratch L
G 5	836	Se ScratchDwn
G#5	837	Se ScratchHif
A 5	838	Se ScratchHIR
A#5	839	Se ScratchLoF
B 5	840	Se ScratchLoR
C 6	1054	Dr BdT9-1

PRE 20 R&B Kit1

Нота	№ сигнала	Наименование сигнала
C 0	1060	Dr BdT9Hd3
C#0	1451	Dr SdAnCR
D 0	1450	Dr SdAnSmRim
D#0	1484	Dr SdClpAna
E 0	1441	Dr SdT9Gate
F 0	1390	Dr SdRollMono
F#0	1493	Dr SdTimbr
G 0	1490	Dr SdFMRim
G#0	1458	Dr SdJnglFx
A 0	1041	Dr BdVar1
A#0	1470	Dr SdHipRm1
B 0	1062	Dr BdT8-2
C 1	1092	Dr BdZapMid
C#1	1448	Dr SdT8Rim
D 1	1471	Dr SdHipRm2
D#1	940	Pc HandClapSt
E 1	1451	Dr SdAnCR
F 1	1063	Dr BdT8-3
F#1	1601	Dr HHClT8-2
G 1	1063	Dr BdT8-3
G#1	1604	Dr HHClAnCR
A 1	1063	Dr BdT8-3
A#1	1602	Dr HHOpT8-2
B 1	1063	Dr BdT8-3
C 2	1063	Dr BdT8-3
C#2	1674	Dr Crash
D 2	1063	Dr BdT8-3
D#2	1713	Dr RideT9
E 2	1705	Dr China
F 2	1699	Dr CupMono
F#2	913	Pc TambnHit
G 2	1674	Dr Crash
G#2	945	Pc Cowbell1
A 2	1710	Dr CrashT9
A#2	958	Pc CowBellT8
B 2	1682	Dr RideCym St
C 3	873	Pc Bongo H1
C#3	872	Pc Bongo L
D 3	859	Pc CongaTip
D#3	858	Pc CongaOpSlp
E 3	857	Pc Conga Opn
F 3	813	Se HiQ1
F#3	813	Se HiQ1
G 3	923	Pc AgogoLo
G#3	923	Pc AgogoLo
A 3	962	Pc AnaShaker
A#3	891	Pc MaracasSlr
B 3	776	Me VoxDrum
C 4	776	Me VoxDrum
C#4	813	Se HiQ1
D 4	814	Se HiQ2
D#4	969	Pc ClaveT8
E 4	813	Se HiQ1
F 4	848	Se ScratchSpn
F#4	838	Se ScratchHIR
G 4	837	Se ScratchHif
G#4	939	Pc TriangleMt
A 4	938	Pc TriangleOp
A#4	900	Pc Shaker 2
B 4	913	Pc TambnHit
C 5	952	Pc BellTree
C#5	1479	Dr SdBkRim
D 5	795	Se NzBurst
D#5	731	Me VoxBell
E 5	1463	Dr SdR&B1
F 5	741	Me VoxAlk
F#5	519	Pc Udo Hi
G 5	736	Me TranCho
G#5	750	Me Swarm
A 5	1040	Dr BdPop
A#5	1464	Dr SdR&B1Rm
B 5	840	Dr BdR&B2
C 6	1674	Dr Crash

PRE 21 R&B Kit2

Нота	№ сигнала	Наименование сигнала
C 0	1043	Dr BdRoom1
C#0	971	Pc AnaClick
D 0	494	Pc Wataiko
D#0	1369	Dr SdHpStk4
E 0	862	Pc Quint1Opn
F 0	506	Pc SmlTablTak
F#0	1442	Dr SdTRim
G 0	1194	Dr SdNmSt1-4
G#0	1464	Dr SdR&B1Rm
A 0	999	Dr BdNmSt1-2
A#0	1228	Dr SdFk3R
B 0	1063	Dr BdT8-3
C 1	1075	Dr BdR&B1
C#1	1380	Dr SdClRim3
D 1	1348	Dr SdPcRim
D#1	940	Pc HandClapSt
E 1	1464	Dr SdR&B1Rm
F 1	1063	Dr BdT8-3
F#1	1601	Dr HHCIT8-2
G 1	1063	Dr BdT8-3
G#1	1599	Dr HHCIT8-1
A 1	1063	Dr BdT8-3
A#1	1602	Dr HHOpT8-2
B 1	1063	Dr BdT8-3
C 2	1660	Dr TomT8
C#2	1670	Dr CrashSt
D 2	1660	Dr TomT8
D#2	1682	Dr RideCym St
E 2	1701	Dr ChinaSt
F 2	1690	Dr RideCup St
F#2	912	Pc TambrnSw
G 2	1674	Dr Crash
G#2	945	Pc Cowbell1
A 2	1710	Dr CrashT9
A#2	958	Pc CowBelT8
B 2	1682	Dr RideCym St
C 3	873	Pc Bongo H1
C#3	872	Pc Bongo L
D 3	859	Pc CongaTip
D#3	858	Pc CongaOpSlp
E 3	857	Pc Conga Opn
F 3	813	Se HiQ1
F#3	813	Se HiQ1
G 3	923	Pc AgogoLo
G#3	962	Pc AnaShaker
A 3	962	Pc AnaShaker
A#3	891	Pc MaracasSlr
B 3	776	Me VoxDrum
C 4	776	Me VoxDrum
C#4	813	Se HiQ1
D 4	814	Se HiQ2
D#4	969	Pc ClaveT8
E 4	813	Se HiQ1
F 4	848	Se ScratchSpn
F#4	838	Se ScratchHIR
G 4	837	Se ScratchHIF
G#4	939	Pc TriangleMt
A 4	938	Pc TriangleOp
A#4	900	Pc Shaker 2
B 4	913	Pc TambrnHit
C 5	952	Pc BellTree
C#5	1496	Dr SdLofi
D 5	1363	Dr SdRkStk2St
D#5	1347	Dr SdPicol
E 5	1465	Dr SdR&B2
F 5	1076	Dr BdR&B2
F#5	1489	Dr SdFM
G 5	1077	Dr BdHipDp
G#5	1495	Dr SdHammr
A 5	1100	Dr BdSlimy
A#5	740	Me HH Hit
B 5	1063	Dr BdT8-3
C 6	821	Se TurnTable

PRE 22 R&B Kit3

Нота	№ сигнала	Наименование сигнала
C 0	265	Gt PlayFx Mix
C#0	1835	Se Ab FX08
D 0	1833	Se Ab FX06
D#0	1718	Se Ag FX02 St
E 0	1848	Se Eb FX 12
F 0	1852	Se Eb FX 16
F#0	1513	Dr HHCis1-4RL
G 0	999	Dr BdNmSt1-2
G#0	1521	Dr HHPdl3 St
A 0	1194	Dr SdNmSt1-4
A#0	1536	Dr HHOpn2 St
B 0	1063	Dr BdT8-3
C 1	1075	Dr BdR&B1
C#1	1380	Dr SdClRim3
D 1	1348	Dr SdPcRim
D#1	940	Pc HandClapSt
E 1	1464	Dr SdR&B1Rm
F 1	1063	Dr BdT8-3
F#1	1601	Dr HHCIT8-2
G 1	1063	Dr BdT8-3
G#1	1599	Dr HHCIT8-1
A 1	1063	Dr BdT8-3
A#1	1602	Dr HHOpT8-2
B 1	1063	Dr BdT8-3
C 2	1660	Dr TomT8
C#2	1670	Dr CrashSt
D 2	1660	Dr TomT8
D#2	1682	Dr RideCym St
E 2	1701	Dr ChinaSt
F 2	1690	Dr RideCup St
F#2	912	Pc TambrnSw
G 2	1674	Dr Crash
G#2	962	Pc AnaShaker
A 2	962	Pc AnaShaker
A#2	967	Pc MarcsT8
B 2	967	Pc MarcsT8
C 3	887	Pc GanzaAc
C#3	888	Pc GanzaBk
D 3	889	Pc GanzaFw
D#3	890	Pc Maracas1-2
E 3	891	Pc MaracasSlr
F 3	893	Pc Cabasa1-2
F#3	894	Pc Cabasa1
G 3	895	Pc Cabasa2
G#3	896	Pc Caxixi1-2
A 3	962	Pc AnaShaker
A#3	898	Pc Caxixi2
B 3	899	Pc Shaker 1
C 4	899	Pc Shaker 1
C#4	902	Pc ShakerHip1
D 4	905	Pc ShakerHip4
D#4	969	Pc ClaveT8
E 4	863	Pc Quint1Slp
F 4	848	Se ScratchSpn
F#4	838	Se ScratchHIR
G 4	837	Se ScratchHIF
G#4	939	Pc TriangleMt
A 4	938	Pc TriangleOp
A#4	917	Pc PandierTip
B 4	913	Pc TambrnHit
C 5	1095	Dr BdHardLong
C#5	1496	Dr SdLofi
D 5	1363	Dr SdRkStk2St
D#5	1347	Dr SdPicol
E 5	821	Se TurnTable
F 5	1465	Dr SdR&B2
F#5	1546	Dr HHCIFiSt
G 5	1077	Dr BdHipDp
G#5	1550	Dr HHIfi2St
A 5	1100	Dr BdSlimy
A#5	1554	Dr HHOp2St
B 5	736	Me TranCho
C 6	1063	Dr BdT8-3

PRE 23 AnalogT9

Нота	№ сигнала	Наименование сигнала
C 0	1055	Dr BdT9-2
C#0	1451	Dr SdAncCR
D 0	1440	Dr SdTR9-5
D#0	954	Pc ClapAnSm
E 0	1441	Dr SdTR9Gate
F 0	1381	Dr SdRkRolSt
F#0	1438	Dr SdTR9-3
G 0	1439	Dr SdTR9-4
G#0	1441	Dr SdTR9Gate
A 0	1057	Dr BdTR9-4
A#0	1440	Dr SdTR9-5
B 0	1054	Dr BdTR9-1
C 1	1056	Dr BdTR9-3
C#1	1442	Dr SdTR9Rim
D 1	1436	Dr SdTR9-1
D#1	953	Pc ClapT9
E 1	1437	Dr SdTR9-2
F 1	1659	Dr TomT9Lo
F#1	1597	Dr HHCIT9
G 1	1659	Dr TomT9Lo
G#1	1598	Dr HHOpT9
A 1	1659	Dr TomT9Lo
A#1	1598	Dr HHOpT9
B 1	1658	Dr TomT9Hi
C 2	1658	Dr TomT9Hi
C#2	1710	Dr CrashT9
D 2	1658	Dr TomT9Hi
D#2	1713	Dr RideT9
E 2	1705	Dr China
F 2	1699	Dr CupMono
F#2	963	Pc TambrnRX5
G 2	1674	Dr Crash
G#2	945	Pc Cowbell1
A 2	1675	Dr Crash2
A#2	958	Pc CowBelT8
B 2	1688	Dr RideR
C 3	957	Pc CongaT8
C#3	957	Pc CongaT8
D 3	859	Pc CongaTip
D#3	858	Pc CongaOpSlp
E 3	857	Pc Conga Opn
F 3	875	Pc TmbaleH1-3
F#3	879	Pc TmbaleL1-3
G 3	971	Pc AnaClick
G#3	957	Pc CongaT8
A 3	893	Pc Cabasa1-2
A#3	891	Pc MaracasSlr
B 3	818	Se FxGun2
C 4	819	Se FxGun1
C#4	834	Se Scratch H
D 4	836	Se ScratchDwn
D#4	813	Se HiQ1
E 4	813	Se HiQ1
F 4	814	Se HiQ2
F#4	815	Se Scratch L
G 4	835	Se Scratch L
G#4	939	Pc TriangleMt
A 4	938	Pc TriangleOp
A#4	962	Pc AnaShaker
B 4	951	Pc SleighBel
C 5	952	Pc BellTree
C#5	1347	Dr SdPicol
D 5	1447	Dr SdT8-5
D#5	1384	Dr SdRkRolDSt
E 5	1394	Dr SdBrmI2St
F 5	1069	Dr BdBlipHd
F#5	1455	Dr SdJngl1
G 5	1093	Dr BdSus
G#5	1459	Dr SdD&B1
A 5	1080	Dr BdBreak2
A#5	1485	Dr SdDist
B 5	1094	Dr BdTekPower
C 6	1088	Dr BdDistRM

PRE 24 AnalogT8

Нота	№ сигнала	Наименование сигнала
C 0	1061	Dr BdT8-1
C#0	1451	Dr SdAncCR
D 0	1446	Dr SdT8-4
D#0	1484	Dr SdClpAna
E 0	1445	Dr SdT8-3
F 0	1660	Dr TomT8
F#0	1447	Dr SdT8-5
G 0	1063	Dr BdT8-3
G#0	1446	Dr SdT8-4
A 0	1062	Dr BdT8-2
A#0	1445	Dr SdT8-3
B 0	617	Vw T8KickBass
C 1	1061	Dr BdT8-1
C#1	1448	Dr SdT8Rim
D 1	1444	Dr SdT8-2
D#1	953	Pc ClapT9
E 1	1443	Dr SdT8-1
F 1	1660	Dr TomT8
F#1	1601	Dr HHCIT8-2
G 1	1660	Dr TomT8
G#1	1600	Dr HHOpT8-1
A 1	1660	Dr TomT8
A#1	1600	Dr HHOpT8-1
B 1	1660	Dr TomT8
C 2	1660	Dr TomT8
C#2	1711	Dr CrashT8
D 2	1660	Dr TomT8
D#2	1713	Dr RideT9
E 2	1705	Dr China
F 2	1699	Dr CupMono
F#2	963	Pc TambrnRX5
G 2	1708	Dr SplashR
G#2	958	Pc CowBelT8
A 2	1675	Dr Crash2
A#2	935	Pc Vibraslap
B 2	1688	Dr RideR
C 3	957	Pc CongaT8
C#3	957	Pc CongaT8
D 3	957	Pc CongaT8
D#3	957	Pc CongaT8
E 3	957	Pc CongaT8
F 3	876	Pc TmbaleHi1
F#3	880	Pc TmbaleLo1
G 3	791	Se Glass
G#3	791	Se Glass
A 3	893	Pc Cabasa1-2
A#3	967	Pc MarcsT8
B 3	818	Se FxGun2
C 4	819	Se FxGun1
C#4	962	Pc AnaShaker
D 4	962	Pc AnaShaker
D#4	969	Pc ClaveT8
E 4	813	Se HiQ1
F 4	814	Se HiQ2
F#4	835	Se Scratch L
G 4	835	Se Scratch L
G#4	939	Pc TriangleMt
A 4	938	Pc TriangleOp
A#4	962	Pc AnaShaker
B 4	951	Pc SleighBel
C 5	952	Pc BellTree
C#5	1466	Dr SdHip1
D 5	1467	Dr SdHip2
D#5	1469	Dr SdHipGate
E 5	1475	Dr SdBreak1
F 5	1068	Dr BdBlip
F#5	1480	Dr SdFx1
G 5	1090	Dr BdFxmrm
G#5	1495	Dr SdHammr
A 5	1091	Dr BdZapHrd
A#5	1488	Dr SdDodgL
B 5	1094	Dr BdTekPower
C 6	1100	Dr BdSlimy

PRE 25 Tekno Kit

Нота	№ сигнала	Наименование сигнала
C 0	1100	Dr BdSlimy
C#0	1442	Dr SdT9Rim
D 0	1447	Dr SdT8-5
D#0	953	Pc ClapT9
E 0	1438	Dr SdT9-3
F 0	1453	Dr SdHuman1
F#0	1468	Dr SdHip3
G 0	1439	Dr SdT9-4
G#0	1467	Dr SdHip2
A 0	1099	Dr BdThkSkn
A#0	1437	Dr SdT9-2
B 0	1086	Dr BdDist4
C 1	1092	Dr BdZapMid
C#1	1448	Dr SdT8Rim
D 1	1447	Dr SdT8-5
D#1	953	Pc ClapT9
E 1	1491	Dr SdSyn
F 1	1660	Dr TomT8
F#1	1617	Dr HHCiLoFi
G 1	1660	Dr TomT8
G#1	1618	Dr HHOpLoFi
A 1	1660	Dr TomT8
A#1	1618	Dr HHOpLoFi
B 1	1660	Dr TomT8
C 2	1660	Dr TomT8
C#2	1711	Dr CrashT8
D 2	1660	Dr TomT8
D#2	1713	Dr RideT9
E 2	1674	Dr Crash
F 2	1699	Dr CupMono
F#2	964	Pc TambrnAnCR
G 2	1671	Dr CrashL
G#2	958	Pc CowBelT8
A 2	1710	Dr CrashT9
A#2	958	Pc CowBelT8
B 2	1712	Dr CrashSyn
C 3	957	Pc CongaT8
C#3	957	Pc CongaT8
D 3	957	Pc CongaT8
D#3	957	Pc CongaT8
E 3	957	Pc CongaT8
F 3	875	Pc TmbaleH1-3
F#3	879	Pc TmbaleL1-3
G 3	791	Se Glass
G#3	791	Se Glass
A 3	894	Pc Cabasa1
A#3	967	Pc MarcsT8
B 3	818	Se FxGun2
C 4	819	Se FxGun1
C#4	834	Se Scratch H
D 4	836	Se ScratchDwn
D#4	813	Se HiQ1
E 4	813	Se HiQ1
F 4	814	Se HiQ2
F#4	835	Se Scratch L
G 4	835	Se Scratch L
G#4	939	Pc TriangleMt
A 4	938	Pc TriangleOp
A#4	962	Pc AnaShaker
B 4	951	Pc SleighBel
C 5	1104	Dr BdElec4
C#5	1107	Dr BdEiComp3
D 5	1109	Dr BdEiFX2
D#5	1111	Dr BdEiClick
E 5	1112	Dr BdEiPwr1
F 5	1113	Dr BdEiPwr2
F#5	1103	Dr BdElec3
G 5	1101	Dr BdElec1
G#5	1429	Dr SdElec6
A 5	1430	Dr SdElec7
A#5	1431	Dr SdElec8
B 5	1432	Dr SdElec9
C 6	1435	Dr SdElec12

PRE 26 House Kit1

Нота	№ сигнала	Наименование сигнала
C 0	1057	Dr BdT9-4
C#0	1448	Dr SdT8Rim
D 0	1447	Dr SdT8-5
D#0	940	Pc HandClapSt
E 0	1488	Dr SdDodgL
F 0	1387	Dr SdLvRolSt
F#0	1438	Dr SdT9-3
G 0	1443	Dr SdT8-1
G#0	1440	Dr SdT9-5
A 0	1054	Dr BdT9-1
A#0	1441	Dr SdT9Gate
B 0	1055	Dr BdT9-2
C 1	1056	Dr BdT9-3
C#1	1442	Dr SdT9Rim
D 1	1436	Dr SdT9-1
D#1	953	Pc ClapT9
E 1	1437	Dr SdT9-2
F 1	1659	Dr TomT9Lo
F#1	1599	Dr HHCIT8-1
G 1	1659	Dr TomT9Lo
G#1	1598	Dr HHOpT9
A 1	1659	Dr TomT9Lo
A#1	1598	Dr HHOpT9
B 1	1658	Dr TomT9Hi
C 2	1658	Dr TomT9Hi
C#2	1710	Dr CrashT9
D 2	1658	Dr TomT9Hi
D#2	1713	Dr RideT9
E 2	1674	Dr Crash
F 2	1699	Dr CupMono
F#2	913	Pc TambnHit
G 2	1674	Dr Crash
G#2	945	Pc Cowbell1
A 2	1670	Dr CrashSt
A#2	958	Pc CowBelT8
B 2	1682	Dr RideCym St
C 3	873	Pc Bongo H1
C#3	872	Pc Bongo L
D 3	859	Pc CongaTip
D#3	858	Pc CongaOpSlp
E 3	857	Pc Conga Opn
F 3	876	Pc TimbaleH1
F#3	876	Pc TimbaleH1
G 3	923	Pc AgogoLo
G#3	923	Pc AgogoLo
A 3	894	Pc Cabasa1
A#3	891	Pc MaracasSlr
B 3	776	Me VoxDrum
C 4	776	Me VoxDrum
C#4	926	Pc GuiroShort
D 4	925	Pc GuiroLong
D#4	933	Pc Clave
E 4	934	Pc WoodBlock
F 4	934	Pc WoodBlock
F#4	871	Pc CuicaHi
G 4	870	Pc CuicaLo
G#4	939	Pc TriangleMt
A 4	938	Pc TriangleOp
A#4	962	Pc AnaShaker
B 4	951	Pc SleighBel
C 5	952	Pc BellTree
C#5	1479	Dr SdBkBreakRol
D 5	795	Se NzBurst
D#5	731	Me VoxBell
E 5	1463	Dr SdR&B1
F 5	741	Me VoxAlk
F#5	519	Pc Udo Hi
G 5	736	Me TranCho
G#5	750	Me Swarm
A 5	1040	Dr BdPop
A#5	1464	Dr SdR&B1Rm
B 5	1076	Dr BdR&B2
C 6	1674	Dr Crash

PRE 27 House Kit2

Нота	№ сигнала	Наименование сигнала
C 0	1055	Dr BdT9-2
C#0	1448	Dr SdT8Rim
D 0	523	Pc Dohol H
D#0	953	Pc ClapT9
E 0	1437	Dr SdT9-2
F 0	1441	Dr SdT9Gate
F#0	1454	Dr SdHuman2
G 0	1480	Dr SdFx1
G#0	1496	Dr SdLofi
A 0	1059	Dr BdT9Hd2
A#0	1442	Dr SdT9Rim
B 0	1056	Dr BdT9-3
C 1	1058	Dr BdT9Hd1
C#1	1442	Dr SdT9Rim
D 1	1437	Dr SdT9-2
D#1	795	Se NzBurst
E 1	1164	Dr SdPwrL1-4
F 1	1491	Dr SdSyn
F#1	1597	Dr HHCIT9
G 1	1491	Dr SdSyn
G#1	1598	Dr HHOpT9
A 1	1491	Dr SdSyn
A#1	1598	Dr HHOpT9
B 1	1491	Dr SdSyn
C 2	1491	Dr SdSyn
C#2	1710	Dr CrashT9
D 2	1491	Dr SdSyn
D#2	1713	Dr RideT9
E 2	1712	Dr CrashSyn
F 2	1699	Dr CupMono
F#2	913	Pc TambnHit
G 2	1711	Dr CrashT8
G#2	945	Pc Cowbell1
A 2	1674	Dr Crash
A#2	958	Pc CowBelT8
B 2	1682	Dr RideCym St
C 3	873	Pc Bongo H1
C#3	872	Pc Bongo L
D 3	860	Pc CongaBtm
D#3	858	Pc CongaOpSlp
E 3	857	Pc Conga Opn
F 3	1661	Dr TomSyn1
F#3	1661	Dr TomSyn1
G 3	971	Pc AnaClick
G#3	1497	Dr SdRimSE
A 3	894	Pc Cabasa1
A#3	891	Pc MaracasSlr
B 3	776	Me VoxDrum
C 4	776	Me VoxDrum
C#4	964	Pc TambnAnCR
D 4	962	Pc AnaShaker
D#4	969	Pc ClaveT8
E 4	963	Pc TambnRX5
F 4	959	Pc CowBelRX11
F#4	962	Pc AnaShaker
G 4	837	Se ScratchHIF
G#4	939	Pc TriangleMt
A 4	938	Pc TriangleOp
A#4	962	Pc AnaShaker
B 4	951	Pc SleighBel
C 5	952	Pc BellTree
C#5	499	Pc TablaBya
D 5	500	Pc TablaNah
D#5	501	Pc TablaMut
E 5	731	Me VoxBell
F 5	1040	Dr BdPop
F#5	519	Pc Udo Hi
G 5	1053	Dr BdFXGate
G#5	795	Se NzBurst
A 5	1054	Dr BdT9-1
A#5	1479	Dr SdBkBreakRol
B 5	1674	Dr Crash
C 6	821	Se TurnTable

PRE 28 Big Kit

Нота	№ сигнала	Наименование сигнала
C 0	1053	Dr BdFXGate
C#0	872	Pc Bongo L
D 0	1359	Dr SdGM
D#0	940	Pc HandClapSt
E 0	1354	Dr SdGate2
F 0	1381	Dr SdRkRolSt
F#0	1332	Dr SdRkRim1St
G 0	1347	Dr SdPicol
G#0	1344	Dr SdRkFlmSt
A 0	1044	Dr BdRoom2
A#0	1360	Dr SdRkStk1St
B 0	1045	Dr BdRoom3
C 1	1052	Dr BdGate
C#1	1351	Dr SdMdRim
D 1	1353	Dr SdGate1
D#1	954	Pc ClapAnSm
E 1	1352	Dr SdAmb
F 1	1657	Dr TomAmbLo
F#1	1608	Dr HHCID&B
G 1	1657	Dr TomAmbLo
G#1	1609	Dr HHPdID&B
A 1	1657	Dr TomAmbLo
A#1	1610	Dr HHOpD&B
B 1	1656	Dr TomAmbHi
C 2	1656	Dr TomAmbHi
C#2	1670	Dr CrashSt
D 2	1656	Dr TomAmbHi
D#2	1682	Dr RideCym St
E 2	1701	Dr ChinaSt
F 2	1699	Dr CupMono
F#2	913	Pc TambnHit
G 2	1674	Dr Crash
G#2	945	Pc Cowbell1
A 2	1670	Dr CrashSt
A#2	935	Pc Vibraslap
B 2	1682	Dr RideCym St
C 3	873	Pc Bongo H1
C#3	872	Pc Bongo L
D 3	859	Pc CongaTip
D#3	858	Pc CongaOpSlp
E 3	857	Pc Conga Opn
F 3	1089	Dr Bd+HH
F#3	1089	Dr Bd+HH
G 3	923	Pc AgogoLo
G#3	923	Pc AgogoLo
A 3	894	Pc Cabasa1
A#3	891	Pc MaracasSlr
B 3	818	Se FxGun2
C 4	819	Se FxGun1
C#4	834	Se Scratch H
D 4	836	Se ScratchDwn
D#4	933	Pc Clave
E 4	934	Pc WoodBlock
F 4	934	Pc WoodBlock
F#4	835	Se Scratch L
G 4	835	Se Scratch L
G#4	939	Pc TriangleMt
A 4	938	Pc TriangleOp
A#4	900	Pc Shaker 2
B 4	951	Pc SleighBel
C 5	952	Pc BellTree
C#5	1485	Dr SdDist
D 5	1489	Dr SdFM
D#5	1490	Dr SdFMRim
E 5	1492	Dr SdClappy
F 5	1045	Dr BdRoom3
F#5	1493	Dr SdTimbr
G 5	1032	Dr BdRk1St
G#5	1497	Dr SdRimSE
A 5	1035	Dr BdRk2St
A#5	1479	Dr SdBkBreakRol
B 5	1073	Dr BdD&B1
C 6	1044	Dr BdRoom2

PRE 29 Break Kit

Нота	№ сигнала	Наименование сигнала
C 0	1078	Dr BdHipDp
C#0	1318	Dr SdHip1St
D 0	1496	Dr SdLofi
D#0	1492	Dr SdClappy
E 0	1355	Dr SdLdwHMMono
F 0	1384	Dr SdRkRolDSt
F#0	1353	Dr SdGate1
G 0	1350	Dr SdMid
G#0	1356	Dr SdBrim
A 0	1081	Dr BdBreakHvy
A#0	1473	Dr SdHipRm4
B 0	1080	Dr BdBreak2
C 1	1079	Dr BdBreak1
C#1	1470	Dr SdHipRm1
D 1	1477	Dr SdBkBreak3
D#1	1475	Dr SdBkBreak1
E 1	1476	Dr SdBkBreak2
F 1	1632	Dr TomLow St
F#1	1567	Dr HHCIRKSR
G 1	1632	Dr TomLow St
G#1	1580	Dr HHPdIRKR
A 1	1632	Dr TomLow St
A#1	1592	Dr HHOpD&B
B 1	1624	Dr TomHi St
C 2	1624	Dr TomHi St
C#2	1671	Dr CrashL
D 2	1624	Dr TomHi St
D#2	1687	Dr RideL
E 2	1702	Dr ChinaL
F 2	1699	Dr CupMono
F#2	913	Pc TambnHit
G 2	1674	Dr Crash
G#2	945	Pc Cowbell1
A 2	1672	Dr CrashR
A#2	959	Pc CowBelRX11
B 2	1698	Dr RideMono
C 3	873	Pc Bongo H1
C#3	872	Pc Bongo L
D 3	859	Pc CongaTip
D#3	858	Pc CongaOpSlp
E 3	857	Pc Conga Opn
F 3	873	Pc Bongo H1
F#3	872	Pc Bongo L
G 3	857	Pc Conga Opn
G#3	923	Pc AgogoLo
A 3	894	Pc Cabasa1
A#3	891	Pc MaracasSlr
B 3	876	Pc TimbaleH1
C 4	880	Pc TimbaleLo1
C#4	834	Se Scratch H
D 4	836	Se ScratchDwn
D#4	933	Pc Clave
E 4	934	Pc WoodBlock
F 4	934	Pc WoodBlock
F#4	835	Se Scratch L
G 4	835	Se Scratch L
G#4	939	Pc TriangleMt
A 4	938	Pc TriangleOp
A#4	900	Pc Shaker 2
B 4	951	Pc SleighBel
C 5	821	Se TurnTable
C#5	1479	Dr SdBkBreakRol
D 5	622	Wv FMBass5
D#5	757	Me Mind Bell
E 5	1480	Dr SdFx1
F 5	1035	Dr BdRk2St
F#5	762	Me LfoSeq
G 5	790	Se Ripper
G#5	795	Se NzBurst
A 5	822	Se Police
A#5	755	Me Fairwaive
B 5	750	Me Swarm
C 6	753	Me RadioNz

PRE 30 Drum'nBass

Нота	№ сигнала	Наименование сигнала
C 0	1077	Dr BdHipDp
C#0	872	Pc Bongo L
D 0	1465	Dr SdR&B2
D#0	1493	Dr SdTimbr
E 0	1461	Dr SdD&B3
F 0	1495	Dr SdHammr
F#0	791	Se Glass
G 0	1074	Dr BdD&B2
G#0	1521	Dr HHPdI3 St
A 0	1077	Dr BdHipDp
A#0	1554	Dr HHOp2St
B 0	1082	Dr BdBreakHrd
C 1	1073	Dr BdD&B1
C#1	1351	Dr SdMdRim
D 1	1459	Dr SdD&B1
D#1	795	Se NzBurst
E 1	1460	Dr SdD&B2
F 1	1657	Dr TomAmbLo
F#1	1608	Dr HHCID&B
G 1	1657	Dr TomAmbLo
G#1	1609	Dr HHPdID&B
A 1	1657	Dr TomAmbLo
A#1	1610	Dr HHOpD&B
B 1	1656	Dr TomAmbHi
C 2	1656	Dr TomAmbHi
C#2	1671	Dr CrashL
D 2	1656	Dr TomAmbHi
D#2	1682	Dr RideCym St
E 2	1705	Dr China
F 2	1699	Dr CupMono
F#2	913	Pc TambnHit
G 2	1674	Dr Crash
G#2	945	Pc Cowbell1
A 2	1670	Dr CrashSt
A#2	935	Pc Vibraslap
B 2	1682	Dr RideCym St
C 3	873	Pc Bongo H1
C#3	872	Pc Bongo L
D 3	859	Pc CongaTip
D#3	858	Pc CongaOpSlp
E 3	857	Pc Conga Opn
F 3	1462	Dr SdD&B4
F#3	1611	Dr HHRvD&B
G 3	923	Pc AgogoLo
G#3	923	Pc AgogoLo
A 3	894	Pc Cabasa1
A#3	891	Pc MaracasSlr
B 3	818	Se FxGun2
C 4	819	Se FxGun1
C#4	926	Pc GuiroShort
D 4	925	Pc GuiroLong
D#4	933	Pc Clave
E 4	805	Se ElPerc8
F 4	799	Se ElPerc2
F#4	650	Wv P50-1
G 4	810	Se ElPerc13
G#4	821	Se TurnTable
A 4	938	Pc TriangleOp
A#4	900	Pc Shaker 2
B 4	951	Pc SleighBel
C 5	952	Pc BellTree
C#5	1485	Dr SdDist
D 5	1489	Dr SdFM
D#5	1490	Dr SdFMRim
E 5	1492	Dr SdClappy
F 5	1073	Dr BdD&B1
F#5	1493	Dr SdTimbr
G 5	1087	Dr BdDist5
G#5	1497	Dr SdRimSE
A 5	1086	Dr BdDist4
A#5	1468	Dr SdHip3
B 5	1100	Dr BdSlimy
C 6	1089	Dr Bd+HH

PRE 31 Acid Kit

Нота	№ сигнала	Наименование сигнала
C 0	1096	Dr BdAtite
C#0	1448	Dr SdT8Rim
D 0	1457	Dr SdJngl3
D#0	940	Pc HandClapSt
E 0	1443	Dr SdT8-1
F 0	1661	Dr TomSyn1
F#0	1289	Dr SdBhL1-3
G 0	1296	Dr SdBh3R
G#0	1248	Dr SdSonSt1-3
A 0	1008	Dr BdFkSt1-2
A#0	1232	Dr SdBsSt1-3
B 0	1068	Dr BdBlip
C 1	1057	Dr BdT9-4
C#1	1442	Dr SdT9Rim
D 1	1489	Dr SdFM
D#1	953	Pc ClapT9
E 1	1451	Dr SdAnCR
F 1	1659	Dr TomT9Lo
F#1	1612	Dr HHCITek
G 1	1659	Dr TomT9Lo
G#1	1612	Dr HHCITek
A 1	1659	Dr TomT9Lo
A#1	1613	Dr HHOpTek
B 1	1658	Dr TomT9Hi
C 2	1658	Dr TomT9Hi
C#2	1710	Dr CrashT9
D 2	1658	Dr TomT9Hi
D#2	1713	Dr RideT9
E 2	1674	Dr Crash
F 2	1695	Dr CupL
F#2	913	Pc TambnHit
G 2	1674	Dr Crash
G#2	945	Pc Cowbell1
A 2	1706	Dr SplashSt
A#2	958	Pc CowBell8
B 2	1698	Dr RideMono
C 3	873	Pc Bongo H1
C#3	872	Pc Bongo L
D 3	859	Pc CongaTip
D#3	858	Pc CongaOpSlp
E 3	857	Pc Conga Opn
F 3	876	Pc TablaHi1
F#3	876	Pc TimbaleHi1
G 3	922	Pc AgogoHi
G#3	923	Pc AgogoLo
A 3	894	Pc Cabasa1
A#3	891	Pc MaracasSlr
B 3	818	Se FxGun2
C 4	819	Se FxGun1
C#4	834	Se Scratch H
D 4	836	Se ScratchDwn
D#4	813	Se HIQ1
E 4	813	Se HIQ1
F 4	814	Se HIQ2
F#4	835	Se Scratch L
G 4	835	Se Scratch L
G#4	939	Pc TriangleMt
A 4	938	Pc TriangleOp
A#4	962	Pc AnaShaker
B 4	951	Pc SleighBel
C 5	952	Pc BellTree
C#5	1440	Dr SdT9-5
D 5	1440	Dr SdT9-5
D#5	1440	Dr SdT9-5
E 5	1440	Dr SdT9-5
F 5	1066	Dr BdHuman1
F#5	1459	Dr SdD&B1
G 5	1830	Se Ab FX03
G#5	681	Wv DigiOsc4
A 5	680	Wv DigiOsc3
A#5	1475	Dr SdBkBreak1
B 5	1070	Dr BdJngl1
C 6	1081	Dr BdBreakHvy

PRE 32 Jungle Kit

Нота	№ сигнала	Наименование сигнала
C 0	1071	Dr BdJngl2
C#0	1351	Dr SdMdRim
D 0	1457	Dr SdJngl3
D#0	1457	Dr SdJngl3
E 0	1348	Dr SdPcRim
F 0	1390	Dr SdRollMono
F#0	1494	Dr SdWood
G 0	1465	Dr SdR&B2
G#0	1460	Dr SdD&B2
A 0	1071	Dr BdJngl2
A#0	1458	Dr SdJnglFx
B 0	1061	Dr BdT8-1
C 1	1070	Dr BdJngl1
C#1	1473	Dr SdHipRm4
D 1	1456	Dr SdJngl2
D#1	1458	Dr SdJnglFx
E 1	1457	Dr SdJngl3
F 1	1637	Dr TomFlr L
F#1	1565	Dr HHCIRkRSw
G 1	1633	Dr TomLow L
G#1	1573	Dr HHPdlRkRSw
A 1	1630	Dr TomMid R
A#1	1588	Dr HHOpRkRSw
B 1	1630	Dr TomMid R
C 2	1626	Dr TomHi R
C#2	1671	Dr CrashL
D 2	1626	Dr TomHi R
D#2	1688	Dr RideR
E 2	1705	Dr China
F 2	1699	Dr CupMono
F#2	913	Pc TambnHit
G 2	1674	Dr Crash
G#2	945	Pc Cowbell1
A 2	1670	Dr CrashSt
A#2	935	Pc Vibraslap
B 2	1682	Dr RideCym St
C 3	873	Pc Bongo H1
C#3	872	Pc Bongo L
D 3	859	Pc CongaTip
D#3	858	Pc CongaOpSlp
E 3	857	Pc Conga Opn
F 3	500	Pc TablaNah
F#3	499	Pc TablaBya
G 3	923	Pc AgogoLo
G#3	923	Pc AgogoLo
A 3	894	Pc Cabasa1
A#3	891	Pc MaracasSlr
B 3	876	Pc TimbaleHi1
C 4	880	Pc TimbaleLo1
C#4	926	Pc GuiroShort
D 4	925	Pc GuiroLong
D#4	933	Pc Clave
E 4	934	Pc WoodBlock
F 4	934	Pc WoodBlock
F#4	871	Pc CuicaHi
G 4	870	Pc CuicaLo
G#4	939	Pc TriangleMt
A 4	938	Pc TriangleOp
A#4	900	Pc Shaker 2
B 4	951	Pc SleighBel
C 5	952	Pc BellTree
C#5	1611	Dr HHRvD&B
D 5	833	Se RainLoop
D#5	834	Se Scratch H
E 5	835	Se Scratch L
F 5	1069	Dr BdBlpHd
F#5	1491	Dr SdSyn
G 5	794	Se IndusTom
G#5	915	Pc PandieroOp
A 5	790	Se Ripper
A#5	828	Se TelRing
B 5	840	Se ScratchLoR
C 6	817	Se TapeRewnd

PRE 33 Electric

Нота	№ сигнала	Наименование сигнала
C 0	1065	Dr BdAnCR
C#0	1068	Dr BdBlip
D 0	1447	Dr SdT8-5
D#0	954	Pc ClapAnSm
E 0	1471	Dr SdHipRm2
F 0	1390	Dr SdRollMono
F#0	1443	Dr SdT8-1
G 0	1451	Dr SdAnCR
G#0	1444	Dr SdT8-2
A 0	1061	Dr BdT8-1
A#0	1446	Dr SdT8-4
B 0	1068	Dr BdBlip
C 1	1062	Dr BdT8-2
C#1	1448	Dr SdT8Rim
D 1	1445	Dr SdT8-3
D#1	953	Pc ClapT9
E 1	954	Pc ClapAnSm
F 1	1662	Dr BdHuman1
F#1	1601	Dr HHCIT8-2
G 1	1662	Dr TomSyn2
G#1	1600	Dr HHOpT8-1
A 1	1662	Dr TomSyn2
A#1	1602	Dr HHOpT8-2
B 1	1662	Dr TomSyn2
C 2	1662	Dr TomSyn2
C#2	1710	Dr CrashT9
D 2	1662	Dr TomSyn2
D#2	1713	Dr RideT9
E 2	1674	Dr Crash
F 2	1712	Dr CrashSyn
F#2	1711	Dr CrashT8
G 2	1674	Dr Crash
G#2	1497	Dr SdRimSE
A 2	1670	Dr CrashSt
A#2	958	Pc CowBellT8
B 2	1712	Dr CrashSyn
C 3	1660	Dr TomT8
C#3	1660	Dr TomT8
D 3	1660	Dr TomT8
D#3	1660	Dr TomT8
E 3	1660	Dr TomT8
F 3	832	Se Applause
F#3	823	Se DoorSqk
G 3	824	Se HeartBeat
G#3	816	Se Bomb
A 3	1618	Dr HHOpLoFi
A#3	899	Pc Shaker 1
B 3	797	Se Zap2
C 4	796	Se Zap1
C#4	834	Se Scratch H
D 4	835	Se Scratch L
D#4	813	Se HIQ1
E 4	813	Se HIQ1
F 4	814	Se HIQ2
F#4	835	Se Scratch L
G 4	775	Me HitOrch2
G#4	1621	Dr HHCIFx
A 4	1622	Dr HHOpFx
A#4	962	Pc AnaShaker
B 4	962	Pc AnaShaker
C 5	821	Se TurnTable
C#5	1479	Dr SdBkBreakRol
D 5	622	Wv FMBass5
D#5	757	Me Mind Bell
E 5	1476	Dr SdBkBreak2
F 5	1035	Dr BdRk2St
F#5	753	Me RadioNz
G 5	790	Se Ripper
G#5	795	Se NzBurst
A 5	848	Se ScratchSpn
A#5	743	Me BellChoir
B 5	745	Me HiLo
C 6	753	Me RadioNz

PRE 34 Human Kit

Нота	№ сигнала	Наименование сигнала
C 0	1066	Dr BdHuman1
C#0	845	Se ScratchVoF
D 0	774	Me Hit Uhh
D#0	846	Se ScratchVoR
E 0	1458	Dr SdJnglFx
F 0	1381	Dr SdRkRolSt
F#0	1475	Dr SdBkBreak1
G 0	1451	Dr SdAnCR
G#0	1436	Dr SdT9-1
A 0	1093	Dr BdSus
A#0	1366	Dr SdHpStk1
B 0	1067	Dr BdHuman2
C 1	1067	Dr BdHuman2
C#1	1494	Dr SdWood
D 1	1453	Dr SdHuman1
D#1	1487	Dr SdDodgH
E 1	1454	Dr SdHuman2
F 1	1066	Dr BdHuman1
F#1	1623	Dr HHOpHuman
G 1	1066	Dr BdHuman1
G#1	1623	Dr HHOpHuman
A 1	1066	Dr BdHuman1
A#1	1623	Dr HHOpHuman
B 1	1066	Dr BdHuman1
C 2	1066	Dr BdHuman1
C#2	795	Se NzBurst
D 2	1066	Dr BdHuman1
D#2	1711	Dr CrashT8
E 2	1705	Dr China
F 2	1699	Dr CupMono
F#2	844	Se ScratchSdR
G 2	1706	Dr SplashSt
G#2	776	Me VoxDrum
A 2	1675	Dr Crash2
A#2	966	Pc ElTambnrm2
B 2	773	Me StabAah
C 3	873	Pc Bongo H1
C#3	872	Pc Bongo L
D 3	859	Pc CongaTip
D#3	858	Pc CongaOpSlp
E 3	857	Pc Conga Opn
F 3	875	Pc TmbaleH1-3
F#3	879	Pc TmbaleL1-3
G 3	923	Pc AgogoLo
G#3	923	Pc AgogoLo
A 3	894	Pc Cabasa1
A#3	891	Pc MaracasSlr
B 3	818	Se FxGun2
C 4	816	Se Bomb
C#4	834	Se Scratch H
D 4	836	Se ScratchDwn
D#4	839	Se ScratchLoF
E 4	840	Se ScratchLoR
F 4	814	Se HIQ2
F#4	835	Se Scratch L
G 4	835	Se Scratch L
G#4	939	Pc TriangleMt
A 4	938	Pc TriangleOp
A#4	900	Pc Shaker 2
B 4	951	Pc SleighBel
C 5	821	Se TurnTable
C#5	1334	Dr SdRkRim1R
D 5	825	Se Helicopter
D#5	771	Me StabHard
E 5	1353	Dr SdGate1
F 5	1032	Dr BdRk1St
F#5	836	Se ScratchDwn
G 5	1064	Dr BdAnSm
G#5	765	Me Sonar1
A 5	494	Pc Wataiko
A#5	494	Pc Wataiko
B 5	740	Me HH Hit
C 6	772	Me StabOrgan2

PRE 35 Hard Kit

Нота	№ сигнала	Наименование сигнала
C 0	1085	Dr BdDist3
C#0	1494	Dr SdWood
D 0	1353	Dr SdGate1
D#0	940	Pc HandClapSt
E 0	1354	Dr SdGate2
F 0	1390	Dr SdRollMono
F#0	1484	Dr SdClpAna
G 0	1468	Dr SdHip3
G#0	790	Se Ripper
A 0	1088	Dr BdDistRM
A#0	1448	Dr SdT8Rim
B 0	1084	Dr BdDist2
C 1	1083	Dr BdDist1
C#1	1351	Dr SdMdRim
D 1	1485	Dr SdDist
D#1	795	Se NzBurst
E 1	1481	Dr SdFx2
F 1	1665	Dr TomDistLo
F#1	1597	Dr HHCIT9
G 1	1665	Dr TomDistLo
G#1	1598	Dr HHOpT9
A 1	1665	Dr TomDistLo
A#1	1598	Dr HHOpT9
B 1	1664	Dr TomDistHi
C 2	1664	Dr TomDistHi
C#2	1710	Dr CrashT9
D 2	1664	Dr TomDistHi
D#2	1713	Dr RideT9
E 2	1705	Dr China
F 2	1699	Dr CupMono
F#2	964	Pc TambnAnCR
G 2	1674	Dr Crash
G#2	958	Pc CowBellT8
A 2	1670	Dr CrashSt
A#2	935	Pc Vibraslap
B 2	1682	Dr RideCym St
C 3	1493	Dr SdTimbr
C#3	1493	Dr SdTimbr
D 3	859	Pc CongaTip
D#3	858	Pc CongaOpSlp
E 3	857	Pc Conga Opn
F 3	1089	Dr Bd+HH
F#3	1089	Dr Bd+HH
G 3	791	Se Glass
G#3	791	Se Glass
A 3	894	Pc Cabasa1
A#3	891	Pc MaracasSlr
B 3	818	Se FxGun2
C 4	819	Se FxGun1
C#4	834	Se Scratch H
D 4	836	Se ScratchDwn
D#4	813	Se HIQ1
E 4	813	Se HIQ1
F 4	814	Se HIQ2
F#4	835	Se Scratch L
G 4	835	Se Scratch L
G#4	939	Pc TriangleMt
A 4	938	Pc TriangleOp
A#4	962	Pc AnaShaker
B 4	951	Pc SleighBel
C 5	952	Pc BellTree
C#5	1485	Dr SdDist
D 5	1489	Dr SdFM
D#5	1490	Dr SdFMRim
E 5	1492	Dr SdClappy
F 5	1090	Dr BdFxHmr
F#5	794	Se IndusTom
G 5	1073	Dr BdD&B1
G#5	794	Se IndusTom
A 5	1045	Dr BdRoom3
A#5	794	Se IndusTom
B 5	1057	Dr BdT9-4
C 6	1495	Dr SdHammr

PRE 36 Distorted

Нота	№ сигнала	Наименование сигнала
C 0	971	Pc AnaClick
C#0	1391	Dr SdBrlMtSt
D 0	1397	Dr SdBrsWrSt
D#0	1394	Dr SdBrlMt2St
E 0	1400	Dr SdBrsWrAtSt
F 0	1387	Dr SdLvRolSt
F#0	932	Pc Castanet
G 0	1200	Dr SdNm1St
G#0	930	Pc Stick
A 0	1037	Dr Bdrk2R
A#0	1303	Dr SdTgt1St
B 0	1079	Dr BdBreak1
C 1	1037	Dr Bdrk2R
C#1	1365	Dr SdRkStk2R
D 1	1259	Dr SdSon1L
D#1	941	Pc HandClapL
E 1	1348	Dr SdPcRim
F 1	1657	Dr TomAmbLo
F#1	1576	Dr HHClrk2R
G 1	1657	Dr TomAmbLo
G#1	1580	Dr HHPlrkR
A 1	1657	Dr TomAmbLo
A#1	1590	Dr HHOPrkR
B 1	1656	Dr TomAmbHi
C 2	1656	Dr TomAmbHi
C#2	1671	Dr CrashL
D 2	1656	Dr TomAmbHi
D#2	1688	Dr RideR
E 2	1702	Dr ChinaL
F 2	1696	Dr CupR
F#2	912	Pc TambRnSw
G 2	1708	Dr SplashR
G#2	948	Pc MambBl2
A 2	1671	Dr CrashL
A#2	935	Pc Vibraslap
B 2	1682	Dr RideCym St
C 3	873	Pc Bongo H1
C#3	872	Pc Bongo L
D 3	859	Pc CongaTip
D#3	858	Pc CongaOpSlp
E 3	857	Pc Conga Opn
F 3	875	Pc TmbaleH1-3
F#3	879	Pc TmbaleL1-3
G 3	922	Pc AgogoHi
G#3	923	Pc AgogoLo
A 3	893	Pc Cabasa1-2
A#3	891	Pc MaracasSlr
B 3	936	Pc Whistle
C 4	936	Pc Whistle
C#4	926	Pc GuiroShort
D 4	925	Pc GuiroLong
D#4	933	Pc Clave
E 4	934	Pc WoodBlock
F 4	934	Pc WoodBlock
F#4	854	Se ScratchCb2
G 4	838	Se ScratchHlR
G#4	939	Pc TriangleMt
A 4	938	Pc TriangleOp
A#4	899	Pc Shaker 1
B 4	951	Pc SleighBel
C 5	952	Pc BellTree
C#5	1347	Dr SdPicol
D 5	1358	Dr SdHeavy
D#5	1484	Dr SdClpAna
E 5	1348	Dr SdPcRim
F 5	1044	Dr BdRoom2
F#5	1350	Dr SdMid
G 5	1045	Dr BdRoom3
G#5	1351	Dr SdMdrim
A 5	1052	Dr BdGate
A#5	1353	Dr SdGate1
B 5	1053	Dr BDFXGate
C 6	1073	Dr BdD&B1

PRE 37 Ambient

Нота	№ сигнала	Наименование сигнала
C 0	1068	Dr BdBlip
C#0	814	Se HIQ2
D 0	1349	Dr SdPcRim2
D#0	813	Se HIQ1
E 0	1451	Dr SdAnCR
F 0	1661	Dr TomSyn1
F#0	1619	Dr HHClSyn
G 0	1661	Dr TomSyn1
G#0	1621	Dr HHClFx
A 0	1662	Dr TomSyn2
A#0	1620	Dr HHOpSyn
B 0	1065	Dr BdAnCR
C 1	1054	Dr BdT9-1
C#1	1368	Dr SdHpStk3
D 1	1455	Dr SdJngl1
D#1	953	Pc ClapT9
E 1	1455	Dr SdJngl1
F 1	1660	Dr TomT8
F#1	1601	Dr HHClT8-2
G 1	1660	Dr TomT8
G#1	1600	Dr HHOpT8-1
A 1	1660	Dr TomT8
A#1	1602	Dr HHOpT8-2
B 1	1660	Dr TomT8
C 2	1660	Dr TomT8
C#2	1712	Dr CrashSyn
D 2	1660	Dr TomT8
D#2	1713	Dr RideT9
E 2	1674	Dr Crash
F 2	1699	Dr CupMono
F#2	913	Pc TambRnHit
G 2	1674	Dr Crash
G#2	958	Pc CowBelT8
A 2	1670	Dr CrashSt
A#2	935	Pc Vibraslap
B 2	1682	Dr RideCym St
C 3	873	Pc Bongo H1
C#3	872	Pc Bongo L
D 3	859	Pc CongaTip
D#3	858	Pc CongaOpSlp
E 3	857	Pc Conga Opn
F 3	875	Pc TmbaleH1-3
F#3	879	Pc TmbaleL1-3
G 3	791	Se Glass
G#3	791	Se Glass
A 3	894	Pc Cabasa1
A#3	967	Pc MarcsT8
B 3	829	Se Bird
C 4	779	Me EngrnRoomSt
C#4	811	Se ElPerc14
D 4	831	Se Gunshot
D#4	969	Pc ClaveT8
E 4	934	Pc WoodBlock
F 4	934	Pc WoodBlock
F#4	964	Pc TambRnAnCR
G 4	960	Pc CowBelAnCR
G#4	939	Pc TriangleMt
A 4	938	Pc TriangleOp
A#4	962	Pc AnaShaker
B 4	951	Pc SleighBel
C 5	952	Pc BellTree
C#5	1447	Dr SdT8-5
D 5	765	Me Sonar1
D#5	1447	Dr SdT8-5
E 5	765	Me Sonar1
F 5	749	Me Bubble
F#5	1447	Dr SdT8-5
G 5	749	Me Bubble
G#5	1447	Dr SdT8-5
A 5	738	Me Eery
A#5	1447	Dr SdT8-5
B 5	733	Me WindChime
C 6	733	Me WindChime

PRE 38 Jazz Kit

Нота	№ сигнала	Наименование сигнала
C 0	1044	Dr BdRoom2
C#0	1393	Dr SdBrlMtR
D 0	1400	Dr SdBrsWrAtSt
D#0	1394	Dr SdBrlMt2St
E 0	1400	Dr SdBrsWrAtSt
F 0	1387	Dr SdLvRolSt
F#0	932	Pc Castanet
G 0	1318	Dr SdHr1St
G#0	930	Pc Stick
A 0	1013	Dr BdFkML
A#0	1363	Dr SdRkStk2St
B 0	1029	Dr BdFkSonSt
C 1	1008	Dr BdFkSt1-2
C#1	1376	Dr SdClRmSt
D 1	1303	Dr SdTgt1St
D#1	940	Pc HandClapSt
E 1	1282	Dr SdBhSt1-3
F 1	1636	Dr TomFlr St
F#1	1546	Dr HHClRSt
G 1	1636	Dr TomFlr St
G#1	1521	Dr HHPl3 St
A 1	1632	Dr TomLow St
A#1	1554	Dr HHOp2St
B 1	1628	Dr TomMid St
C 2	1628	Dr TomMid St
C#2	1670	Dr CrashSt
D 2	1624	Dr TomHi St
D#2	1682	Dr RideCym St
E 2	1701	Dr ChinaSt
F 2	1690	Dr RideCup St
F#2	913	Pc TambRnHit
G 2	1706	Dr SplashR
G#2	945	Pc Cowbell1
A 2	1670	Dr CrashSt
A#2	935	Pc Vibraslap
B 2	1682	Dr RideCym St
C 3	873	Pc Bongo H1
C#3	872	Pc Bongo L
D 3	859	Pc CongaTip
D#3	858	Pc CongaOpSlp
E 3	857	Pc Conga Opn
F 3	876	Pc TmbaleH1-3
F#3	876	Pc TmbaleH1
G 3	923	Pc AgogoLo
G#3	923	Pc AgogoLo
A 3	894	Pc Cabasa1
A#3	891	Pc MaracasSlr
B 3	1397	Dr SdBrsWrSt
C 4	1397	Dr SdBrsWrSt
C#4	926	Pc GuiroShort
D 4	925	Pc GuiroLong
D#4	933	Pc Clave
E 4	934	Pc WoodBlock
F 4	934	Pc WoodBlock
F#4	871	Pc CuicaHi
G 4	870	Pc CuicaLo
G#4	939	Pc TriangleMt
A 4	938	Pc TriangleOp
A#4	900	Pc Shaker 2
B 4	951	Pc SleighBel
C 5	952	Pc BellTree
C#5	1274	Dr SdBIL1-3
D 5	1229	Dr SdFkAySt
D#5	1290	Dr SdBHr1-3
E 5	1268	Dr SdBSt1-2
F 5	1021	Dr BdLoL
F#5	1355	Dr SdLdwHMono
G 5	1039	Dr BdDry2
G#5	1400	Dr SdBrsWrAtSt
A 5	1100	Dr BdSlimy
A#5	1390	Dr SdRollMono
B 5	1007	Dr BdNm2R
C 6	1674	Dr Crash

PRE 39 Orchestral

Нота	№ сигнала	Наименование сигнала
C 0	971	Pc AnaClick
C#0	1395	Dr SdBrlMt2L
D 0	1399	Dr SdBrsWrR
D#0	1395	Dr SdBrlMt2L
E 0	1402	Dr SdBrsWrAlR
F 0	1421	Dr SdMrcRolSt
F#0	932	Pc Castanet
G 0	1404	Dr SdMrc1S St
G#0	930	Pc Stick
A 0	1049	Dr GrnCasmSt
A#0	1409	Dr SdMrc1H L
B 0	1049	Dr GrnCasmSt
C 1	1046	Dr GrnCasmOpSt
C#1	1378	Dr SdClRmR
D 1	1405	Dr SdMrc1H St
D#1	940	Pc HandClapSt
E 1	1414	Dr SdMrc2H St
F 1	105	Cp TimpStSw
F#1	1498	Dr HHCl1-4St
G 1	105	Cp TimpStSw
G#1	1523	Dr HHPl1-3 R
A 1	105	Cp TimpStSw
A#1	1534	Dr HHOpn1-2St
B 1	105	Cp TimpStSw
C 2	105	Cp TimpStSw
C#2	1676	Dr HndCymOpSt
D 2	105	Cp TimpStSw
D#2	1682	Dr RideCym St
E 2	1701	Dr ChinaSt
F 2	1690	Dr RideCup St
F#2	913	Pc TambRnHit
G 2	1679	Dr HndCymMtSt
G#2	946	Pc Cowbell2
A 2	1666	Dr CrashCymSt
A#2	935	Pc Vibraslap
B 2	1686	Dr RideSt
C 3	873	Pc Bongo H1
C#3	872	Pc Bongo L
D 3	859	Pc CongaTip
D#3	857	Pc Conga Opn
E 3	866	Pc TumbaOpen
F 3	875	Pc TmbaleH1-3
F#3	879	Pc TmbaleL1-3
G 3	922	Pc AgogoHi
G#3	923	Pc AgogoLo
A 3	893	Pc Cabasa1-2
A#3	891	Pc MaracasSlr
B 3	936	Pc Whistle
C 4	936	Pc Whistle
C#4	926	Pc GuiroShort
D 4	925	Pc GuiroLong
D#4	933	Pc Clave
E 4	934	Pc WoodBlock
F 4	934	Pc WoodBlock
F#4	871	Pc CuicaHi
G 4	870	Pc CuicaLo
G#4	939	Pc TriangleMt
A 4	938	Pc TriangleOp
A#4	899	Pc Shaker 1
B 4	951	Pc SleighBel
C 5	952	Pc BellTree
C#5	934	Pc WoodBlock
D 5	934	Pc WoodBlock
D#5	934	Pc WoodBlock
E 5	934	Pc WoodBlock
F 5	934	Pc WoodBlock
F#5	934	Pc WoodBlock
G 5	934	Pc WoodBlock
G#5	934	Pc WoodBlock
A 5	934	Pc WoodBlock
A#5	934	Pc WoodBlock
B 5	934	Pc WoodBlock
C 6	934	Pc WoodBlock

PRE 40 Garage

Нота	№ сигнала	Наименование сигнала
C 0	1095	Dr BdHardLong
C#0	1054	Dr BdT9-1
D 0	1100	Dr BdSlimy
D#0	1097	Dr BdAnHard
E 0	1086	Dr BdDist4
F 0	1107	Dr BdElComp3
F#0	1077	Dr BdHipDp
G 0	1090	Dr BdFxFmr
G#0	1056	Dr BdT9-3
A 0	1063	Dr BdT8-3
A#0	1093	Dr BdSBus
B 0	1076	Dr BdR&B2
C 1	1058	Dr BdT9Hd1
C#1	1100	Dr BdSlimy
D 1	1443	Dr SdT8-1
D#1	1448	Dr SdT8Rim
E 1	1492	Dr SdClappy
F 1	1273	Dr SdB3St
F#1	1536	Dr HHOpn2 St
G 1	1601	Dr HHClT8-2
G#1	1536	Dr HHOpn2 St
A 1	1602	Dr HHOpT8-2
A#1	1536	Dr HHOpn2 St
B 1	1602	Dr HHOpT8-2
C 2	954	Pc ClapAnSm
C#2	1670	Dr CrashSt
D 2	1710	Dr CrashT9
D#2	1682	Dr RideCym St
E 2	1713	Dr RideT9
F 2	971	Pc AnaClick
F#2	969	Pc ClaveT8
G 2	954	Pc ClapAnSm
G#2	953	Pc ClapT9
A 2	962	Pc AnaShaker
A#2	957	Pc CongaT8
B 2	957	Pc CongaT8
C 3	1451	Dr SdAnCR
C#3	1381	Dr SdRkRolSt
D 3	922	Pc AgogoHi
D#3	1704	Dr ChinaRL
E 3	814	Se HIQ2
F 3	813	Se HIQ1
F#3	797	Se Zap2
G 3	796	Se Zap1
G#3	797	Se Zap2
A 3	823	Se DoorSqk
A#3	855	Se ScratchCb3
B 3	1793	Se Ag FX27 St
C 4	265	Gt PlayFx Mix
C#4	837	Se ScratchHlF
D 4	70	Ep Wurli+
D#4	70	Ep Wurli+
E 4	70	Ep Wurli+
F 4	760	Me ResoXFade
F#4	765	Me Sonar1
G 4	776	Me VoxDrum
G#4	776	Me VoxDrum
A 4	776	Me VoxDrum
A#4	1620	Dr HHOpSyn
B 4	1619	Dr HHClSyn
C 5	652	Wv TrlWv
C#5	652	Wv TrlWv
D 5	652	Wv TrlWv
D#5	652	Wv TrlWv
E 5	652	Wv TrlWv
F 5	652	Wv TrlWv
F#5	652	Wv TrlWv
G 5	652	Wv TrlWv
G#5	652	Wv TrlWv
A 5	652	Wv TrlWv
A#5	652	Wv TrlWv
B 5	652	Wv TrlWv
C 6	652	Wv TrlWv

PRE 41 All Round

Нота	№ сигнала	Наименование сигнала
C 0	1095	Dr BdHardLong
C#0	1094	Dr BdTekPower
D 0	1087	Dr BdDist5
D#0	1085	Dr BdDist3
E 0	1083	Dr BdDist1
F 0	1073	Dr BdD&B1
F#0	1068	Dr BdBlip
G 0	1064	Dr BdAnSm
G#0	1062	Dr BdT8-2
A 0	1061	Dr BdT8-1
A#0	1060	Dr BdT9Hd3
B 0	1055	Dr BdT9-2
C 1	1056	Dr BdT9-3
C#1	1093	Dr BdSus
D 1	1436	Dr SdT9-1
D#1	1442	Dr SdT9Rim
E 1	1439	Dr SdT9-4
F 1	1659	Dr TomT9Lo
F#1	1597	Dr HHCIT9
G 1	1659	Dr TomT9Lo
G#1	1598	Dr HHOPT9
A 1	1659	Dr TomT9Lo
A#1	1598	Dr HHOPT9
B 1	953	Pc ClapT9
C 2	954	Pc ClapAnSm
C#2	1710	Dr CrashT8
D 2	957	Pc CongaT8
D#2	1713	Dr RideT9
E 2	957	Pc CongaT8
F 2	971	Pc AnaClick
F#2	969	Pc ClaveT8
G 2	967	Pc MarcsT8
G#2	964	Pc TambrnAnCR
A 2	962	Pc AnaShaker
A#2	958	Pc CowBelT8
B 2	960	Pc CowBelAnCR
C 3	1443	Dr SdT8-1
C#3	1444	Dr SdT8-2
D 3	1445	Dr SdT8-3
D#3	1451	Dr SdAnCR
E 3	1455	Dr SdJngl1
F 3	1459	Dr SdD&B1
F#3	1462	Dr SdD&B4
G 3	1463	Dr SdR&B1
G#3	1465	Dr SdR&B2
A 3	1466	Dr SdHip1
A#3	1494	Dr SdWood
B 3	1493	Dr SdTimbr
C 4	1599	Dr HHCIT8-1
C#4	1600	Dr HHOPT8-1
D 4	1601	Dr HHCIT8-2
D#4	1602	Dr HHOPT8-2
E 4	1521	Dr HHPdl3 St
F 4	1536	Dr HHOpn2 St
F#4	1536	Dr HHOpn2 St
G 4	1617	Dr HHCiLoFi
G#4	1618	Dr HHOPLoFi
A 4	1619	Dr HHCISyn
A#4	1620	Dr HHOPT9
B 4	962	Pc AnaShaker
C 5	963	Pc TambrnRX5
C#5	912	Pc TambrnSw
D 5	946	Pc Cowbell2
D#5	872	Pc Bongo L
E 5	876	Pc TimbaleH1
F 5	934	Pc WoodBlock
F#5	1095	Dr BdHardLong
G 5	866	Pc TumbaOpen
G#5	864	Pc Quint2Opn
A 5	818	Se FxGun2
A#5	816	Se Bomb
B 5	1091	Dr BdZapHrd
C 6	850	Se ScratchHp2

PRE 42 Rock Multi

Нота	№ сигнала	Наименование сигнала
C 0	999	Dr BdNmSt1-2
C#0	1360	Dr SdRkStk1St
D 0	1335	Dr SdRkOp2St
D#0	1381	Dr SdRkRolSt
E 0	1326	Dr SdRkOp1St
F 0	1632	Dr TomLow St
F#0	1546	Dr HHCIFiSt
G 0	1632	Dr TomLow St
G#0	1521	Dr HHPdl3 St
A 0	1628	Dr TomMid St
A#0	1536	Dr HHOpn2 St
B 0	1624	Dr TomHi St
C 1	1035	Dr BdRk2St
C#1	1360	Dr SdRkStk1St
D 1	1335	Dr SdRkOp2St
D#1	940	Pc HandClapSt
E 1	1338	Dr SdRkMte2St
F 1	1648	Dr TomRkLoSt
F#1	1558	Dr HHCIRKStSw
G 1	1648	Dr TomRkLoSt
G#1	1570	Dr HHPdlRkStSw
A 1	1644	Dr TomRkMdSt
A#1	1582	Dr HHOPT8-1
B 1	1644	Dr TomRkMdSt
C 2	1640	Dr TomRkHiSt
C#2	1670	Dr CrashSt
D 2	1640	Dr TomRkHiSt
D#2	1682	Dr RideCym St
E 2	1701	Dr ChinaSt
F 2	1690	Dr RideCup St
F#2	912	Pc TambrnSw
G 2	1706	Dr SplashSt
G#2	945	Pc Cowbell1
A 2	1670	Dr CrashSt
A#2	899	Pc Shaker 1
B 2	1682	Dr RideCym St
C 3	1032	Dr BdRk1St
C#3	1363	Dr SdRkStk2St
D 3	1326	Dr SdRkOp1St
D#3	953	Pc ClapT9
E 3	1329	Dr SdRkMte1St
F 3	1648	Dr TomRkLoSt
F#3	1558	Dr HHCIRKStSw
G 3	1648	Dr TomRkLoSt
G#3	1578	Dr HHPdlRkSt
A 3	1644	Dr TomRkMdSt
A#3	1586	Dr HHOPT8-2
B 3	1644	Dr TomRkMdSt
C 4	1640	Dr TomRkHiSt
C#4	1670	Dr CrashSt
D 4	1640	Dr TomRkHiSt
D#4	1687	Dr RideL
E 4	1701	Dr ChinaSt
F 4	1690	Dr RideCup St
F#4	913	Pc TambrnHit
G 4	1706	Dr SplashSt
G#4	948	Pc MamboBl2
A 4	1670	Dr CrashSt
A#4	906	Pc ShekereDw
B 4	1688	Dr RideR
C 5	1008	Dr BdFkSt1-2
C#5	1360	Dr SdRkStk1St
D 5	1332	Dr SdRkRim1St
D#5	1344	Dr SdRkFlmSt
E 5	1341	Dr SdRkRim2St
F 5	1636	Dr TomFir St
F#5	1502	Dr HHCIs4 St
G 5	1632	Dr TomLow St
G#5	1521	Dr HHPdl3 St
A 5	1628	Dr TomMid St
A#5	1554	Dr HHOPT2St
B 5	1628	Dr TomMid St
C 6	1624	Dr TomHi St

PRE 43 Hip Multi

Нота	№ сигнала	Наименование сигнала
C 0	1063	Dr BdT8-3
C#0	1448	Dr SdRkStk1St
D 0	1488	Dr SdDodgL
D#0	953	Pc ClapT9
E 0	1468	Dr SdHip3
F 0	1063	Dr BdT8-3
F#0	1612	Dr HHCITek
G 0	1063	Dr BdT8-3
G#0	1613	Dr HHOPTek
A 0	1063	Dr BdT8-3
A#0	1613	Dr HHOPTek
B 0	1063	Dr BdT8-3
C 1	1077	Dr BdHipDp
C#1	1369	Dr SdHpStk4
D 1	1470	Dr SdHipRm1
D#1	942	Pc HandClapR
E 1	1467	Dr SdHip2
F 1	1660	Dr TomT8
F#1	1601	Dr HHCIT8-2
G 1	1660	Dr TomT8
G#1	1605	Dr HHOPTAnCR
A 1	1660	Dr TomT8
A#1	1600	Dr HHOPT8-1
B 1	1660	Dr TomT8
C 2	1660	Dr TomT8
C#2	1710	Dr CrashT9
D 2	1660	Dr TomT8
D#2	1712	Dr CrashSyn
E 2	1712	Dr CrashSyn
F 2	1711	Dr CrashT8
F#2	963	Pc TambrnRX5
G 2	1708	Dr SplashR
G#2	958	Pc CowBell8
A 2	1710	Dr CrashT9
A#2	960	Pc CowBelAnCR
B 2	1713	Dr RideT9
C 3	1077	Dr BdHipDp
C#3	1370	Dr SdHpStk5
D 3	1471	Dr SdHipRm2
D#3	941	Pc HandClapL
E 3	1466	Dr SdHip1
F 3	1659	Dr TomT9Lo
F#3	1603	Dr HHCIRX5
G 3	1659	Dr TomT9Lo
G#3	1604	Dr HHCIAAnCR
A 3	1659	Dr TomT9Lo
A#3	1602	Dr HHOPT8-2
B 3	1659	Dr TomT9Lo
C 4	1658	Dr TomT9Hi
C#4	1672	Dr CrashR
D 4	1658	Dr TomT9Hi
D#4	1711	Dr CrashT8
E 4	1712	Dr CrashSyn
F 4	1711	Dr CrashT8
F#4	913	Pc TambrnHit
G 4	1703	Dr ChinaR
G#4	959	Pc CowBelRX11
A 4	1671	Dr CrashL
A#4	945	Pc Cowbell1
B 4	1688	Dr RideR
C 5	1077	Dr BdHipDp
C#5	1375	Dr SdHipStk8
D 5	1469	Dr SdHipGate
D#5	1467	Dr SdHip2
E 5	1474	Dr SdHipRm5
F 5	1665	Dr TomDistLo
F#5	1614	Dr HHCiHip
G 5	1665	Dr TomDistLo
G#5	1615	Dr HHPdlHip
A 5	1664	Dr TomDistHi
A#5	1616	Dr HHOPTHip
B 5	1664	Dr TomDistHi
C 6	1663	Dr TomAnSm

PRE 44 Percussion

Нота	№ сигнала	Наименование сигнала
C 0	494	Pc Wataiko
C#0	519	Pc Udo Hi
D 0	497	Pc DjembeOp
D#0	862	Pc Quint1Opn
E 0	520	Pc Udo Low
F 0	518	Pc UdoFinger
F#0	519	Pc Udo Hi
G 0	499	Pc TablaBya
G#0	919	Pc TmbourimOp
A 0	501	Pc TablaMut
A#0	500	Pc TablaNah
B 0	501	Pc TablaMut
C 1	105	Cp TimpStSw
C#1	774	Me Hit Uhh
D 1	873	Pc Bongo H1
D#1	953	Pc ClapT9
E 1	939	Pc TriangleMt
F 1	938	Pc TriangleOp
F#1	932	Pc Castanet
G 1	932	Pc Castanet
G#1	932	Pc Castanet
A 1	925	Pc GuiroLong
A#1	927	Pc GuiroSwp
B 1	926	Pc GuiroShort
C 2	935	Pc Vibraslap
C#2	933	Pc Clave
D 2	969	Pc ClaveT8
D#2	870	Pc Cuicalo
E 2	871	Pc CuicaHi
F 2	879	Pc TmbaleL1-3
F#2	934	Pc WoodBlock
G 2	881	Pc TimbaleLo2
G#2	934	Pc WoodBlock
A 2	875	Pc TmbaleH1-3
A#2	950	Pc ChaCha
B 2	877	Pc TimbaleHi2
C 3	884	Pc TmbiPailaL
C#3	884	Pc TmbiPailaL
D 3	883	Pc TmbiPailaH
D#3	947	Pc MamboBl1
E 3	872	Pc Bongo L
F 3	872	Pc Bongo L
F#3	943	Pc Handbell L
G 3	873	Pc Bongo H1
G#3	944	Pc Handbell H
A 3	873	Pc Bongo H1
A#3	923	Pc AgogoLo
B 3	922	Pc AgogoHi
C 4	860	Pc CongaBtm
C#4	859	Pc CongaTip
D 4	867	Pc TumbaSlp
D#4	891	Pc MaracasSlr
E 4	866	Pc TumbaOpen
F 4	860	Pc CongaBtm
F#4	859	Pc CongaTip
G 4	858	Pc CongaOpSlp
G#4	899	Pc Shaker 1
A 4	857	Pc Conga Opn
A#4	894	Pc Cabasa1
B 4	893	Pc Cabasa1-2
C 5	860	Pc CongaBtm
C#5	859	Pc CongaTip
D 5	863	Pc Quint1Slp
D#5	899	Pc Shaker 1
E 5	864	Pc Quint2Opn
F 5	896	Pc Caxixi1-2
F#5	914	Pc TambrnShk
G 5	913	Pc TambrnHit
G#5	912	Pc TambrnSw
A 5	913	Pc TambrnHit
A#5	951	Pc SleighBel
B 5	936	Pc Whistle
C 6	936	Pc Whistle

PRE 45 Latin Perc

Нота	№ сигнала	Наименование сигнала
C 0	1026	Dr BdLsonSt
C#0	1363	Dr SdRkStk2St
D 0	1217	Dr SdRkSt1/3
D#0	1670	Dr CrashSt
E 0	1706	Dr SplashSt
F 0	1632	Dr TomLow St
F#0	1498	Dr HHCIs1-4St
G 0	1632	Dr TomLow St
G#0	1521	Dr HHPdl3 St
A 0	1628	Dr TomMid St
A#0	1536	Dr HHOpn2 St
B 0	1624	Dr TomHi St
C 1	859	Pc CongaTip
C#1	860	Pc CongaBtm
D 1	867	Pc TumbaSlp
D#1	933	Pc Clave
E 1	866	Pc TumbaOpen
F 1	859	Pc CongaTip
F#1	860	Pc CongaBtm
G 1	858	Pc CongaOpSlp
G#1	943	Pc Handbell L
A 1	857	Pc Conga Opn
A#1	944	Pc Handbell H
B 1	947	Pc MamboBl1
C 2	859	Pc CongaTip
C#2	860	Pc CongaBtm
D 2	863	Pc Quint1Slp
D#2	950	Pc ChaCha
E 2	862	Pc Quint1Opn
F 2	872	Pc Bongo L
F#2	873	Pc Bongo H1
G 2	874	Pc Bongo H2
G#2	880	Pc TimbaleLo1
A 2	884	Pc TmbiPailaL
A#2	876	Pc TmbiPailaH
B 2	883	Pc TmbiPailaL
C 3	934	Pc WoodBlock
C#3	934	Pc WoodBlock
D 3	906	Pc ShekereDw
D#3	907	Pc ShekereUp
E 3	908	Pc ShekereSlp
F 3	891	Pc MaracasSlr
F#3	892	Pc MaracasStc
G 3	925	Pc GuiroLong
G#3	927	Pc GuiroSwp
A 3	926	Pc GuiroShort
A#3	929	Pc SurdoMt
B 3	928	Pc SurdoOp
C 4	917	Pc PandierTip
C#4	918	Pc PandroHeel
D 4	916	Pc PandierThm
D#4	915	Pc PandieroOp
E 4	920	Pc TmbourmFng
F 4	919	Pc TmbourimOp
F#4	921	Pc TmbourimMt
G 4	924	Pc AgogoLoTap
G#4	923	Pc AgogoLo
A 4	922	Pc AgogoHi
A#4	938	Pc TriangleOp
B 4	939	Pc TriangleMt
C 5	900	Pc Shaker 2
C#5	899	Pc Shaker 1
D 5	901	Pc Shaker 3
D#5	894	Pc Cabasa1
E 5	895	Pc Cabasa2
F 5	897	Pc Caxixi1
F#5	898	Pc Caxixi2
G 5	870	Pc Cuicalo
G#5	871	Pc CuicaHi
A 5	936	Pc Whistle
A#5	936	Pc Whistle
B 5	935	Pc Vibraslap
C 6	952	Pc BellTree

PRE 46 Gtr/Bs Fx

Нота	№ сигнала	Наименование сигнала
C 0	1833	Se Ab FX06
C#0	1833	Se Ab FX06
D 0	265	Gt PlayFx Mix
D#0	264	Gt PwrChdMono
E 0	264	Gt PwrChdMono
F 0	1828	Se Ab FX01
F#0	1718	Se Ag FX02 St
G 0	1841	Se Eb FX 05
G#0	1852	Se Eb FX 16
A 0	1837	Se Eb FX 01
A#0	1810	Se Eg FX06
B 0	1853	Se Eb FX 17
C 1	1840	Se Eb FX 04
C#1	1846	Se Eb FX 10
D 1	265	Gt PlayFx Mix
D#1	1847	Se Eb FX 11
E 1	265	Gt PlayFx Mix
F 1	1854	Se Eb FX 18
F#1	1852	Se Eb FX 16
G 1	1854	Se Eb FX 18
G#1	1853	Se Eb FX 17
A 1	1854	Se Eb FX 18
A#1	1817	Se Eg FX13
B 1	1854	Se Eb FX 18
C 2	1854	Se Eb FX 18
C#2	1799	Se Ag FX29 St
D 2	1854	Se Eb FX 18
D#2	1847	Se Eb FX 11
E 2	1799	Se Ag FX29 St
F 2	1847	Se Eb FX 11
F#2	1846	Se Eb FX 10
G 2	1799	Se Ag FX29 St
G#2	265	Gt PlayFx Mix
A 2	1799	Se Ag FX29 St
A#2	1849	Se Eb FX 13
B 2	1847	Se Eb FX 11
C 3	1846	Se Eb FX 10
C#3	1846	Se Eb FX 10
D 3	1838	Se Eb FX 02
D#3	1844	Se Eb FX 08
E 3	1854	Se Eb FX 18
F 3	1836	Se Ab FX09
F#3	1836	Se Ab FX09
G 3	1834	Se Ab FX07
G#3	1834	Se Ab FX07
A 3	1833	Se Ab FX06
A#3	1836	Se Ab FX09
B 3	265	Gt PlayFx Mix
C 4	265	Gt PlayFx Mix
C#4	1858	Se Eb FX 22
D 4	1730	Se Ag FX06 St
D#4	1852	Se Eb FX 16
E 4	1852	Se Eb FX 16
F 4	1839	Se Eb FX 03
F#4	265	Gt PlayFx Mix
G 4	265	Gt PlayFx Mix
G#4	1847	Se Eb FX 11
A 4	1853	Se Eb FX 17
A#4	1718	Se Ag FX02 St
B 4	1850	Se Eb FX 14
C 5	1825	Se Eg FX21
C#5	1824	Se Eg FX20
D 5	1823	Se Eg FX19
D#5	265	Gt PlayFx Mix
E 5	265	Gt PlayFx Mix
F 5	265	Gt PlayFx Mix
F#5	265	Gt PlayFx Mix
G 5	287	Ba Pick Dd FX
G#5	1858	Se Eb FX 22
A 5	1841	Se Eb FX 05
A#5	1851	Se Eb FX 15
B 5	325	Ba EbBassFX
C 6	1855	Se Eb FX 19

PRE 47 Wacko Kit

Нота	№ сигнала	Наименование сигнала
C 0	1837	Se Eb FX 01
C#0	797	Se Zap2
D 0	1609	Dr HHPdID&B
D#0	941	Pc HandClapL
E 0	845	Se ScratchVof
F 0	794	Se IndusTom
F#0	1494	Dr SdWood
G 0	794	Se IndusTom
G#0	1484	Dr SdClpAna
A 0	794	Se IndusTom
A#0	1490	Dr SdFMrim
B 0	1053	Dr BdFXGate
C 1	1090	Dr BdFXHmr
C#1	858	Pc CongaOpSlp
D 1	1489	Dr SdFm
D#1	941	Pc HandClapL
E 1	1493	Dr SdTimbr
F 1	1662	Dr TomSyn2
F#1	1619	Dr HHCISyn
G 1	1662	Dr TomSyn2
G#1	1620	Dr HHOpsyn
A 1	1662	Dr TomSyn2
A#1	1620	Dr HHOpsyn
B 1	1662	Dr TomSyn2
C 2	1662	Dr TomSyn2
C#2	1595	Dr HHOpmo
D 2	765	Me Sonar1
D#2	1600	Dr HHOpT8-1
E 2	1595	Dr HHOpmo
F 2	1695	Dr CupL
F#2	951	Pc SleighBel
G 2	1602	Dr HHOpT8-2
G#2	760	Me ResoXFade
A 2	1671	Dr CrashL
A#2	833	Se RainLoop
B 2	1696	Dr CupR
C 3	747	Me AirHoseL
C#3	747	Me AirHoseL
D 3	519	Pc Udo Hi
D#3	607	Wv MgBass2
E 3	608	Wv MgBass3
F 3	1833	Se Ab FX06
F#3	1833	Se Ab FX06
G 3	923	Pc AgogoLo
G#3	923	Pc AgogoLo
A 3	1623	Dr HHOpHuman
A#3	815	Se VoxHitRev
B 3	813	Se HiQ1
C 4	813	Se HiQ1
C#4	762	Me LfoSeq
D 4	762	Me LfoSeq
D#4	734	Me BellAir
E 4	740	Me HH Hit
F 4	740	Me HH Hit
F#4	754	Me OohFB
G 4	754	Me OohFB
G#4	757	Me Mind Bell
A 4	791	Se Glass
A#4	750	Me Swarm
B 4	818	Se FxGun2
C 5	751	Me Lektronica
C#5	265	Gt PlayFx Mix
D 5	831	Se Gunshot
D#5	822	Se Police
E 5	790	Se Ripper
F 5	265	Gt PlayFx Mix
F#5	817	Se TapeRwnd
G 5	819	Se FxGun1
G#5	816	Se Bomb
A 5	797	Se Zap2
A#5	795	Se NzBurst
B 5	770	Me StabGiant
C 6	769	Me StabOrch

PRE 48 Wood Bits

Нота	№ сигнала	Наименование сигнала
C 0	969	Pc ClaveT8
C#0	1372	Dr HdHpStk6L
D 0	925	Pc GuiroLong
D#0	1373	Dr HdHpStk6R
E 0	925	Pc GuiroLong
F 0	1751	Se Ag FX13 St
F#0	932	Pc Castanet
G 0	1847	Se Eb FX 11
G#0	930	Pc Stick
A 0	1844	Se Eb FX 08
A#0	1843	Se Eb FX 07
B 0	1658	Dr TomT9Hi
C 1	1853	Se Eb FX 17
C#1	1380	Dr SdCIRim3
D 1	931	Pc Stick2
D#1	925	Pc GuiroLong
E 1	931	Pc Stick2
F 1	928	Pc SurdoOp
F#1	1450	Dr SdAnSmRim
G 1	928	Pc SurdoOp
G#1	954	Pc ClapAnSm
A 1	928	Pc SurdoOp
A#1	935	Pc Vibraslap
B 1	928	Pc SurdoOp
C 2	928	Pc SurdoOp
C#2	826	Se Seashore
D 2	928	Pc SurdoOp
D#2	1363	Dr SdRkStk2St
E 2	832	Se Applause
F 2	1361	Dr SdRkStk1L
F#2	914	Pc TambrnShk
G 2	826	Se Seashore
G#2	934	Pc WoodBlock
A 2	832	Se Applause
A#2	825	Se Helicopter
B 2	1365	Dr SdRkStk2R
C 3	858	Pc CongaOpSlp
C#3	858	Pc CongaOpSlp
D 3	932	Pc Castanet
D#3	932	Pc Castanet
E 3	934	Pc WoodBlock
F 3	884	Pc TmbIPailaL
F#3	884	Pc TmbIPailaL
G 3	930	Pc Stick
G#3	931	Pc Stick2
A 3	896	Pc Caxixi1-2
A#3	898	Pc Caxixi2
B 3	823	Se DoorSqk
C 4	823	Se DoorSqk
C#4	926	Pc GuiroShort
D 4	925	Pc GuiroLong
D#4	933	Pc Clave
E 4	934	Pc WoodBlock
F 4	934	Pc WoodBlock
F#4	823	Se DoorSqk
G 4	823	Se DoorSqk
G#4	934	Pc WoodBlock
A 4	933	Pc Clave
A#4	823	Se DoorSqk
B 4	941	Pc HandClapL
C 5	950	Pc ChaCha
C#5	1335	Dr SdRkOp2St
D 5	1072	Dr BdJngl3
D#5	863	Pc Quint1Slp
E 5	1044	Dr BdRoom2
F 5	1023	Dr BdHsonTb
F#5	1358	Dr SdHeavy
G 5	928	Pc SurdoOp
G#5	1360	Dr SdRkStk1St
A 5	1100	Dr BdSlimy
A#5	1353	Dr SdGate1
B 5	1029	Dr BdFkSonSt
C 6	1052	Dr BdGate

PRE 49 Metal Bits

Нота	№ сигнала	Наименование сигнала
C 0	958	Pc CowBelT8
C#0	1512	Dr HHCls4 R
D 0	1696	Dr CupR
D#0	1620	Dr HHOpsyn
E 0	1695	Dr CupL
F 0	1690	Dr RideCup St
F#0	633	Wv FMMetal2
G 0	1682	Dr RideCym St
G#0	804	Se ElPerc7
A 0	946	Pc Cowbell2
A#0	1499	Dr HHCls1 St
B 0	950	Pc ChaCha
C 1	946	Pc Cowbell2
C#1	1619	Dr HHCISyn
D 1	1613	Dr HHOpTek
D#1	1601	Dr HHClT8-2
E 1	1603	Dr HHClRX5
F 1	946	Pc Cowbell2
F#1	1600	Dr HHOpT8-1
G 1	946	Pc Cowbell2
G#1	1619	Dr HHCISyn
A 1	946	Pc Cowbell2
A#1	1620	Dr HHOpsyn
B 1	946	Pc Cowbell2
C 2	946	Pc Cowbell2
C#2	1622	Dr HHOpFx
D 2	946	Pc Cowbell2
D#2	1690	Dr RideCup St
E 2	1605	Dr HHOpAnCR
F 2	1690	Dr RideCup St
F#2	912	Pc TambrnSw
G 2	1622	Dr HHOpFx
G#2	948	Pc MambaBl2
A 2	1622	Dr HHOpFx
A#2	951	Pc SleighBel
B 2	1698	Dr RideMono
C 3	88	Cp Vibraphone
C#3	88	Cp Vibraphone
D 3	92	Cp TubularBel
D#3	93	Cp Bell
E 3	96	Cp BrBell
F 3	883	Pc TmbIPailaH
F#3	884	Pc TmbIPailaL
G 3	93	Cp Bell
G#3	93	Cp Bell
A 3	1499	Dr HHCls1 St
A#3	1605	Dr HHOpAnCR
B 3	734	Me BellAir
C 4	733	Me WindChime
C#4	1589	Dr HHOpRkl
D 4	751	Me Lektronica
D#4	923	Pc AgogoLo
E 4	945	Pc Cowbell1
F 4	946	Pc Cowbell2
F#4	745	Me HiLo
G 4	745	Me HiLo
G#4	939	Pc TriangleMt
A 4	938	Pc TriangleOp
A#4	733	Me WindChime
B 4	951	Pc SleighBel
C 5	952	Pc BellTree
C#5	97	Cp Smbell
D 5	97	Cp Smbell
D#5	96	Cp BrBell
E 5	100	Cp Hlbasi
F 5	86	Kb Harpscld
F#5	1355	Dr SdLdwHmono
G 5	88	Cp Vibraphone
G#5	1356	Dr SdBrRim
A 5	490	Cp Gamelan2
A#5	518	Pc UdofFinger
B 5	98	Cp FingerCym
C 6	93	Cp Bell

PRE 50 Hands Kit

Нота	№ сигнала	Наименование сигнала
C 0	501	Pc TablaMut
C#0	1391	Dr SdBrmTst
D 0	1397	Dr SdBrmTst
D#0	1394	Dr SdBrmTst
E 0	1400	Dr SdBrmTst
F 0	1799	Se Ag FX29 St
F#0	931	Pc Stick2
G 0	916	Pc PandierThm
G#0	501	Pc TablaMut
A 0	1852	Se Eb FX 16
A#0	1763	Se Ag FX17 St
B 0	502	Pc TablaCmb
C 1	494	Pc Wataiko
C#1	863	Pc Quint1Slp
D 1	1394	Dr SdBrmTst
D#1	940	Pc HandClapSt
E 1	1229	Dr SdFkAySt
F 1	520	Pc Udo Low
F#1	501	Pc TablaMut
G 1	520	Pc Udo Low
G#1	499	Pc TablaBya
A 1	519	Pc Udo Hi
A#1	500	Pc TablaNah
B 1	519	Pc Udo Hi
C 2	518	Pc UdoFinger
C#2	1688	Dr RideR
D 2	518	Pc UdoFinger
D#2	1690	Dr RideCup St
E 2	1700	Dr CupMono2
F 2	1690	Dr RideCup St
F#2	913	Pc TambrnHit
G 2	1690	Dr RideCup St
G#2	945	Pc Cowbell1
A 2	1698	Dr RideMono
A#2	935	Pc Vibraslap
B 2	1687	Dr RideL
C 3	873	Pc Bongo H1
C#3	872	Pc Bongo L
D 3	859	Pc CongaTip
D#3	858	Pc CongaOpSlp
E 3	857	Pc Conga Opn
F 3	875	Pc TmbaleH1-3
F#3	879	Pc TmbaleL1-3
G 3	922	Pc AgogoHi
G#3	923	Pc AgogoLo
A 3	920	Pc TmbourmFng
A#3	920	Pc TmbourmFng
B 3	941	Pc HandClapL
C 4	941	Pc HandClapL
C#4	925	Pc GuiroLong
D 4	925	Pc GuiroLong
D#4	518	Pc UdoFinger
E 4	499	Pc TablaBya
F 4	859	Pc CongaTip
F#4	519	Pc Udo Hi
G 4	519	Pc Udo Hi
G#4	518	Pc UdoFinger
A 4	98	Cp FingerCym
A#4	501	Pc TablaMut
B 4	951	Pc SleighBel
C 5	952	Pc BellTree
C#5	858	Pc CongaOpSlp
D 5	868	Pc TumbaTip
D#5	868	Pc TumbaTip
E 5	1844	Se Eb FX 08
F 5	868	Pc TumbaTip
F#5	1837	Se Eb FX 01
G 5	866	Pc TumbaOpen
G#5	1842	Se Eb FX 06
A 5	1724	Se Ag FX04 St
A#5	520	Pc Udo Low
B 5	498	Pc DjembeCmb
C 6	867	Pc TumbaSlp

PRE 51 Scratches

Нота	№ сигнала	Наименование сигнала
C 0	834	Se Scratch H
C#0	835	Se Scratch Lw
D 0	836	Se ScratchDwn
D#0	837	Se ScratchHIF
E 0	838	Se ScratchHIR
F 0	839	Se ScratchLoF
F#0	840	Se ScratchLoR
G 0	841	Se ScratchBdF
G#0	842	Se ScratchBdR
A 0	843	Se ScratchSdF
A#0	844	Se ScratchSdR
B 0	845	Se ScratchVoF
C 1	834	Se Scratch H
C#1	835	Se Scratch L
D 1	836	Se ScratchDwn
D#1	837	Se ScratchHIF
E 1	838	Se ScratchHIR
F 1	839	Se ScratchLoF
F#1	840	Se ScratchLoR
G 1	841	Se ScratchBdF
G#1	842	Se ScratchBdR
A 1	843	Se ScratchSdF
A#1	844	Se ScratchSdR
B 1	845	Se ScratchVoF
C 2	846	Se ScratchVoR
C#2	847	Se ScratchStp
D 2	848	Se ScratchSpn
D#2	849	Se ScratchHip
E 2	850	Se ScratchHp2
F 2	853	Se ScratchCmb
F#2	854	Se ScratchCb2
G 2	855	Se ScratchCb3
G#2	856	Se ScratchCb4
A 2	834	Se Scratch H
A#2	835	Se Scratch L
B 2	836	Se ScratchDwn
C 3	837	Se ScratchHIF
C#3	838	Se ScratchHIR
D 3	839	Se ScratchLoF
D#3	840	Se ScratchLoR
E 3	841	Se ScratchBdF
F 3	842	Se ScratchBdR
F#3	843	Se ScratchSdF
G 3	844	Se ScratchSdR
G#3	845	Se ScratchVoF
A 3	846	Se ScratchVoR
A#3	847	Se ScratchStp
B 3	848	Se ScratchSpn
C 4	849	Se ScratchHip
C#4	850	Se ScratchHp2
D 4	853	Se ScratchCmb
D#4	854	Se ScratchCb2
E 4	855	Se ScratchCb3
F 4	856	Se ScratchCb4
F#4	834	Se Scratch H
G 4	835	Se Scratch L
G#4	836	Se ScratchDwn
A 4	837	Se ScratchHIF
A#4	838	Se ScratchHIR
B 4	839	Se ScratchLoF
C 5	840	Se ScratchLoR
C#5	841	Se ScratchBdF
D 5	842	Se ScratchBdR
D#5	843	Se ScratchSdF
E 5	844	Se ScratchSdR
F 5	845	Se ScratchVoF
F#5	846	Se ScratchVoR
G 5	847	Se ScratchStp
G#5	848	Se ScratchSpn
A 5	849	Se ScratchHip
A#5	850	Se ScratchHp2
B 5	853	Se ScratchCmb
C 6	854	Se ScratchCb2

PRE 52 AcstSnares

Нота	№ сигнала	Наименование сигнала
C 0	1200	Dr SdNm1St
C#0	1201	Dr SdNm2St
D 0	1202	Dr SdNm3St
D#0	1203	Dr SdNm4St
E 0	1218	Dr SdFk1St
F 0	1219	Dr SdFk2St
F#0	1220	Dr SdFk3St
G 0	1229	Dr SdFkAySt
G#0	1236	Dr SdBs1St
A 0	1237	Dr SdBs2St
A#0	1238	Dr SdBs3St
B 0	1253	Dr SdSon1St
C 1	1254	Dr SdSon2St
C#1	1255	Dr SdSon3St
D 1	1256	Dr SdSon4St
D#1	1271	Dr SdB1St
E 1	1272	Dr SdB2St
F 1	1273	Dr SdB3St
F#1	1286	Dr SdBh1St
G 1	1287	Dr SdBh2St
G#1	1288	Dr SdBh3St
A 1	1303	Dr SdTgt1St
A#1	1304	Dr SdTgt2St
B 1	1305	Dr SdTgt3St
C 2	1306	Dr SdTgt4St
C#2	1318	Dr SdHip1St
D 2	1319	Dr SdHip2St
D#2	1326	Dr SdRkOp1St
E 2	1329	Dr SdRkMte1St
F 2	1332	Dr SdRkRim1St
F#2	1335	Dr SdRkOp2St
G 2	1338	Dr SdRkMte2St
G#2	1341	Dr SdRkRim2St
A 2	1344	Dr SdRkFlmSt
A#2	1326	Dr SdRkOp1St
B 2	1329	Dr SdRkMte1St
C 3	1332	Dr SdRkRim1St
C#3	1335	Dr SdRkOp2St
D 3	1338	Dr SdRkMte2St
D#3	1341	Dr SdRkRim2St
E 3	1344	Dr SdRkFlmSt
F 3	1202	Dr SdNm3St
F#3	1229	Dr SdFkAySt
G 3	1238	Dr SdBs3St
G#3	1255	Dr SdSon3St
A 3	1288	Dr SdBh3St
A#3	1305	Dr SdTgt3St
B 3	1314	Dr SdTgt3R
C 4	1114	Dr SdB1St1-4
C#4	1134	Dr SdB1St1-4
D 4	1154	Dr SdPwrSt1-4
D#4	1174	Dr SdRngSt1-4
E 4	1351	Dr SdMdRim
F 4	1352	Dr SdAmb
F#4	1353	Dr SdGate1
G 4	1355	Dr SdLdwHMono
G#4	1356	Dr SdBrRim
A 4	1357	Dr SdDry
A#4	1358	Dr SdHeavy
B 4	1359	Dr SdGM
C 5	1360	Dr SdRkStk1St
C#5	1363	Dr SdRkSlk2St
D 5	1376	Dr SdClRmSt
D#5	1379	Dr SdClRm2
E 5	1380	Dr SdClRm3
F 5	1381	Dr SdRkRim2St
F#5	1335	Dr SdRkOp2St
G 5	1387	Dr SdLwRoISt
G#5	1254	Dr SdSon2St
A 5	1390	Dr SdRollMono
A#5	1305	Dr SdTgt3St
B 5	1391	Dr SdBrm1St
C 6	1400	Dr SdB5wrAtSt

PRE 53 StSnares

Нота	№ сигнала	Наименование сигнала
C 0	1194	Dr SdNmSt1-4
C#0	1195	Dr SdNmSt1-3
D 0	1196	Dr SdNmSt2-4
D#0	1197	Dr SdNmSt1-2
E 0	1198	Dr SdNmSt2-3
F 0	1199	Dr SdNmSt3-4
F#0	1200	Dr SdNm1St
G 0	1201	Dr SdNm2St
G#0	1202	Dr SdNm3St
A 0	1203	Dr SdNm4St
A#0	1214	Dr SdFkSt1-3
B 0	1215	Dr SdFkSt1-2
C 1	1216	Dr SdFkSt2-3
C#1	1217	Dr SdFkSt1/3
D 1	1218	Dr SdFk1St
D#1	1219	Dr SdFk2St
E 1	1220	Dr SdFk3St
F 1	1229	Dr SdFkAySt
F#1	1232	Dr SdBsSt1-3
G 1	1233	Dr SdBsSt1-2
G#1	1234	Dr SdBsSt2-3
A 1	1235	Dr SdBsSt1/3
A#1	1236	Dr SdBs1St
B 1	1237	Dr SdBs2St
C 2	1238	Dr SdBsSt1-2
C#2	1247	Dr SdSonSt1-4
D 2	1248	Dr SdSonSt1-3
D#2	1249	Dr SdSonSt2-4
E 2	1250	Dr SdSonSt1-2
F 2	1251	Dr SdSonSt2-3
F#2	1252	Dr SdSonSt3-4
G 2	1253	Dr SdSon1St
G#2	1254	Dr SdSon2St
A 2	1255	Dr SdSon3St
A#2	1256	Dr SdSon4St
B 2	1267	Dr SdB1St1-3
C 3	1268	Dr SdB1St1-2
C#3	1269	Dr SdB1St2-3
D 3	1270	Dr SdB1St1/3
D#3	1271	Dr SdB1St1
E 3	1272	Dr SdB1St2
F 3	1273	Dr SdB1St3
F#3	1282	Dr SdBhSt1-3
G 3	1283	Dr SdBhSt1-2
G#3	1284	Dr SdBhSt2-3
A 3	1285	Dr SdBhSt1/3
A#3	1286	Dr SdBh1St
B 3	1287	Dr SdBh2St
C 4	1288	Dr SdBh3St
C#4	1297	Dr SdTgtSt1-4
D 4	1298	Dr SdTgtSt1-3
D#4	1299	Dr SdTgtSt2-4
E 4	1300	Dr SdTgtSt1-2
F 4	1301	Dr SdTgtSt2-3
F#4	1302	Dr SdTgtSt3-4
G 4	1303	Dr SdTgt1St
G#4	1304	Dr SdTgt2St
A 4	1305	Dr SdTgt3St
A#4	1306	Dr SdTgt4St
B 4	1318	Dr SdHip1St
C 5	1326	Dr SdRkOp1St
C#5	1329	Dr SdRkOp1St
D 5	1332	Dr SdRkRim1St
D#5	1335	Dr SdRkOp2St
E 5	1338	Dr SdRkMte2St
F 5	1341	Dr SdRkRim2St
F#5	1344	Dr SdRkFlmSt
G 5	1381	Dr SdRkRoISt
G#5	1326	Dr SdRkOp1St
A 5	1384	Dr SdRkRoIDSt
A#5	1335	Dr SdRkOp2St
B 5	1387	Dr SdLwRoISt
C 6	1202	Dr SdNm3St

PRE 54 AllKicks

Нота	№ сигнала	Наименование сигнала
C 0	999	Dr BdNmSt1-2
C#0	972	Dr BdSnap1-2
D 0	982	Dr BdTigt1
D#0	1002	Dr BdNmL1-2
E 0	1008	Dr BdBkSt1-2
F 0	990	Dr BdAmb1-2
F#0	1010	Dr BdBk2St
G 0	1017	Dr BdHiSt
G#0	1020	Dr BdLoSt
A 0	1023	Dr BdHsonSt
A#0	1026	Dr BdLsonSt
B 0	1029	Dr BdBkSonSt
C 1	1032	Dr BdRk1St
C#1	1035	Dr BdRk2St
D 1	1038	Dr BdDry1
D#1	1039	Dr BdDry2
E 1	1040	Dr BdPop
F 1	1041	Dr BdVar1
F#1	1042	Dr BdVar2
G 1	1043	Dr BdRoom1
G#1	1044	Dr BdRoom2
A 1	1045	Dr BdRoom3
A#1	1052	Dr BdGate
B 1	1053	Dr BdBkGate
C 2	1054	Dr BdT9-1
C#2	1055	Dr BdT9-2
D 2	1056	Dr BdT9-3
D#2	1057	Dr BdT9-4
E 2	1058	Dr BdT9Hd1
F 2	1059	Dr BdT9Hd2
F#2	1060	Dr BdT9Hd3
G 2	1061	Dr BdT8-1
G#2	1062	Dr BdT8-2
A 2	1063	Dr BdT8-3
A#2	1064	Dr BdAnSm
B 2	1065	Dr BdAnCR
C 3	1066	Dr BdHuman1
C#3	1067	Dr BdHuman2
D 3	1068	Dr BdBlip
D#3	1069	Dr BdBlpHd
E 3	1070	Dr BdJngl1
F 3	1071	Dr BdJngl2
F#3	1072	Dr BdJngl3
G 3	1073	Dr BdD&B1
G#3	1074	Dr BdD&B2
A 3	1075	Dr BdR&B1
A#3	1076	Dr BdR&B2
B 3	1077	Dr BdHipDp
C 4	1078	Dr BdBrkDp
C#4	1079	Dr BdBreak1
D 4	1080	Dr BdBreak2
D#4	1081	Dr BdBreakHvy
E 4	1082	Dr BdBreakHrd
F 4	1083	Dr BdDist1
F#4	1084	Dr BdDist2
G 4	1085	Dr BdDist3
G#4	1086	Dr BdDist4
A 4	1087	Dr BdDist5
A#4	1088	Dr BdDistRM
B 4	1089	Dr Bd+HH
C 5	1090	Dr BdBkHm
C#5	1091	Dr BdZapHrd
D 5	1092	Dr BdZapMid
D#5	1093	Dr BdSus
E 5	1094	Dr BdTekPower
F 5	1095	Dr BdHardLong
F#5	1096	Dr BdATite
G 5	1097	Dr BdAnHard
G#5	1098	Dr BdLofi
A 5	1099	Dr BdThkSk
A#5	1100	Dr BdSlimy
B 5	1100	Dr BdSlimy
C 6	1100	Dr BdSlimy

PRE 55 DanceKick

Нота	№ сигнала	Наименование сигнала
C 0	1054	Dr BdT9-1
C#0	1054	Dr BdT9-1
D 0	1055	Dr BdT9-2
D#0	1056	Dr BdT9-3
E 0	1056	Dr BdT9-3
F 0	1057	Dr BdT9-4
F#0	1058	Dr BdT9Hd1
G 0	1059	Dr BdT9Hd2
G#0	1060	Dr BdT9Hd3
A 0	1060	Dr BdT9Hd3
A#0	1095	Dr BdHardLong
B 0	1065	Dr BdAnCR
C 1	1054	Dr BdT9-1
C#1	1055	Dr BdT9-2
D 1	1056	Dr BdT9-3
D#1	1057	Dr BdT9-4
E 1	1058	Dr BdT9Hd1
F 1	1059	Dr BdT9Hd2
F#1	1060	Dr BdT9Hd3
G 1	1061	Dr BdT8-1
G#1	1062	Dr BdT8-2
A 1	1063	Dr BdT8-3
A#1	1101	Dr BdElec1
B 1	1065	Dr BdAnCR
C 2	1066	Dr BdHuman1
C#2	1101	Dr BdElec1
D 2	1068	Dr BdBlip
D#2	1069	Dr BdBlpHd
E 2	1103	Dr BdElec3
F 2	1108	Dr BdEIFX1
F#2	1109	Dr BdEIFX2
G 2	1110	Dr BdEIFGate
G#2	1111	Dr BdEIFlick
A 2	1112	Dr BdEIFPwr1
A#2	1076	Dr BdR&B2
B 2	1077	Dr BdHipDp
C 3	1078	Dr BdBrkDp
C#3	1079	Dr BdBreak1
D 3	1113	Dr BdEIFPwr2
D#3	1081	Dr BdBreakHvy
E 3	1082	Dr BdBreakHrd
F 3	1083	Dr BdDist1
F#3	1084	Dr BdDist2
G 3	1085	Dr BdDist3
G#3	1086	Dr BdDist4
A 3	1087	Dr BdDist5
A#3	1102	Dr BdElec2
B 3	1105	Dr BdEIFComp1
C 4	1090	Dr BdBkHm
C#4	1091	Dr BdZapHrd
D 4	1092	Dr BdZapMid
D#4	1093	Dr BdSus
E 4	1094	Dr BdTekPower
F 4	1095	Dr BdHardLong
F#4	1096	Dr BdATite
G 4	1097	Dr BdAnHard
G#4	1106	Dr BdEIFComp2
A 4	1107	Dr BdEIFComp3
A#4	1100	Dr BdSlimy
B 4	1052	Dr BdGate
C 5	1053	Dr BdBkHm
C#5	1054	Dr BdT9-1
D 5	1055	Dr BdT9-2
D#5	1056	Dr BdT9-3
E 5	1057	Dr BdT9-4
F 5	1058	Dr BdT9Hd1
F#5	1059	Dr BdT9Hd2
G 5	1060	Dr BdT9Hd3
G#5	1069	Dr BdBlpHd
A 5	1076	Dr BdR&B2
A#5	1092	Dr BdZapMid
B 5	1095	Dr BdHardLong
C 6	1096	Dr BdATite

PRE 56 EasySnares

PRE 57 Cuban

PRE 58 SynPopKit

PRE 59 Arabic Mix

PRE 60 Bellydance

Нота	№ сигнала	Наименование сигнала
C 0	1387	Dr SdLvRolSt
C#0	1400	Dr SdBswrAtSt
D 0	1397	Dr SdBrSwrSt
D#0	1394	Dr SdBrtMt2St
E 0	1391	Dr SdBrtMtSt
F 0	1376	Dr SdClRmSt
F#0	1142	Dr SdSolSt1
G 0	1142	Dr SdSolSt1
G#0	1143	Dr SdSolSt2
A 0	1143	Dr SdSolSt2
A#0	1144	Dr SdSolSt3
B 0	1144	Dr SdSolSt3
C 1	1145	Dr SdSolSt4
C#1	1145	Dr SdSolSt4
D 1	1120	Dr SdBldSt1
D#1	1121	Dr SdBldSt2
E 1	1122	Dr SdBldSt3
F 1	1123	Dr SdBldSt4
F#1	1123	Dr SdBldSt4
G 1	1218	Dr SdFk1St
G#1	1218	Dr SdFk1St
A 1	1218	Dr SdFk1St
A#1	1219	Dr SdFk2St
B 1	1219	Dr SdFk2St
C 2	1220	Dr SdFk3St
C#2	1220	Dr SdFk3St
D 2	1271	Dr SdB1St
D#2	1272	Dr SdB2St
E 2	1272	Dr SdB2St
F 2	1273	Dr SdB3St
F#2	1273	Dr SdB3St
G 2	1200	Dr SdNm1St
G#2	1201	Dr SdNm2St
A 2	1201	Dr SdNm2St
A#2	1202	Dr SdNm3St
B 2	1202	Dr SdNm3St
C 3	1203	Dr SdNm4St
C#3	1203	Dr SdNm4St
D 3	1318	Dr SdHip1St
D#3	1318	Dr SdHip1St
E 3	1318	Dr SdHip1St
F 3	1319	Dr SdHip2St
F#3	1319	Dr SdHip2St
G 3	1253	Dr SdSon1St
G#3	1254	Dr SdSon2St
A 3	1254	Dr SdSon2St
A#3	1255	Dr SdSon3St
B 3	1255	Dr SdSon3St
C 4	1256	Dr SdSon4St
C#4	1256	Dr SdSon4St
D 4	1236	Dr SdBs1St
D#4	1237	Dr SdBs2St
E 4	1237	Dr SdBs2St
F 4	1238	Dr SdBs3St
F#4	1238	Dr SdBs3St
G 4	1303	Dr SdTgt1St
G#4	1304	Dr SdTgt2St
A 4	1304	Dr SdTgt2St
A#4	1305	Dr SdTgt3St
B 4	1305	Dr SdTgt3St
C 5	1306	Dr SdTgt4St
C#5	1306	Dr SdTgt4St
D 5	1286	Dr SdBh1St
D#5	1287	Dr SdBh2St
E 5	1287	Dr SdBh2St
F 5	1288	Dr SdBh3St
F#5	1288	Dr SdBh3St
G 5	940	Pc HandClapSt
G#5	953	Pc ClapT9
A 5	954	Pc ClapAnSm
A#5	930	Pc Stick
B 5	931	Pc SticK2
C 6	1229	Dr SdFkAySt

Нота	№ сигнала	Наименование сигнала
C 0		
C#0		
D 0		
D#0		
E 0		
F 0		
F#0		
G 0		
G#0		
A 0		
A#0	859	Pc CongaTip
B 0	860	Pc CongaBtm
C 1	857	Pc Conga Opn
C#1	857	Pc Conga Opn
D 1	858	Pc CongaOpSlp
D#1	858	Pc CongaOpSlp
E 1	858	Pc CongaOpSlp
F 1	859	Pc CongaTip
F#1	857	Pc Conga Opn
G 1	857	Pc Conga Opn
G#1	857	Pc Conga Opn
A 1	858	Pc CongaOpSlp
A#1	858	Pc CongaOpSlp
B 1	857	Pc Conga Opn
C 2	873	Pc Bongo H1
C#2	874	Pc Bongo H2
D 2	873	Pc Bongo H1
D#2	874	Pc Bongo H2
E 2	874	Pc Bongo H2
F 2	874	Pc Bongo H2
F#2	872	Pc Bongo L
G 2	872	Pc Bongo L
G#2	872	Pc Bongo L
A 2	864	Pc Quint2Opn
A#2	872	Pc Bongo L
B 2	863	Pc Quint1Slp
C 3	879	Pc TmbaleL1-3
C#3		
D 3		
D#3		
E 3		
F 3	885	Pc Paila L
F#3	875	Pc TmbaleH1-3
G 3		
G#3		
A 3		
A#3		
B 3	886	Pc Paila H
C 4	946	Pc Cowbell2
C#4		
D 4		
D#4		
E 4	926	Pc GuiroShort
F 4	925	Pc GuiroLong
F#4		
G 4		
G#4	912	Pc TambrnSw
A 4		
A#4		
B 4		
C 5	890	Pc Maracas1-2
C#5	901	Pc Shaker 3
D 5	893	Pc Cabasa1-2
D#5		
E 5		
F 5		
F#5		
G 5		
G#5		
A 5		
A#5		
B 5		
C 6		

Нота	№ сигнала	Наименование сигнала
C 0	1111	Dr BdEIClick
C#0	1103	Dr BdElec3
D 0	1101	Dr BdElec1
D#0	1109	Dr BdEIFX2
E 0	1108	Dr BdEIFX1
F 0	1110	Dr BdElGate
F#0	1113	Dr BdElPwr2
G 0	1102	Dr BdElec2
G#0	1105	Dr BdElComp1
A 0	1106	Dr BdElComp2
A#0	1107	Dr BdElComp3
B 0	1104	Dr BdElec4
C 1	1112	Dr BdElPwr1
C#1	1442	Dr SdT9Rim
D 1	1435	Dr SdElec12
D#1	953	Pc ClapT9
E 1	1431	Dr SdElec8
F 1	1659	Dr TomT9Lo
F#1	1597	Dr HHClT9
G 1	1659	Dr TomT9Lo
G#1	1598	Dr HHOpT9
A 1	1659	Dr TomT9Lo
A#1	1598	Dr HHOpT9
B 1	1658	Dr TomT9Hi
C 2	1658	Dr TomT9Hi
C#2	1710	Dr CrashT9
D 2	1658	Dr TomT9Hi
D#2	1713	Dr RideT9
E 2	1710	Dr CrashT9
F 2	1713	Dr RideT9
F#2	966	Pc ElTambRn2
G 2	1710	Dr CrashT9
G#2	961	Pc ElCOWbell
A 2	1710	Dr CrashT9
A#2	965	Pc ElTambRn1
B 2	1713	Dr RideT9
C 3	802	Se ElPerc5
C#3	801	Se ElPerc4
D 3	809	Se ElPerc12
D#3	803	Se ElPerc6
E 3	798	Se ElPerc1
F 3	792	Se BelIFX1
F#3	793	Se BelIFX2
G 3	851	Se ScratchAtk
G#3	852	Se ScratchR&B
A 3	893	Pc Cabasa1-2
A#3	891	Pc MaracasSlr
B 3	811	Se ElPerc14
C 4	812	Se ElPerc15
C#4	799	Se ElPerc2
D 4	800	Se ElPerc3
D#4	804	Se ElPerc7
E 4	805	Se ElPerc8
F 4	806	Se ElPerc9
F#4	807	Se ElPerc10
G 4	810	Se ElPerc13
G#4	939	Pc TriangleMt
A 4	938	Pc TriangleOp
A#4	968	Pc ElMarcs
B 4	970	Pc ElTriangl
C 5	808	Se ElPerc11
C#5	1424	Dr SdElec1
D 5	1432	Dr SdElec9
D#5	1433	Dr SdElec10
E 5	1434	Dr SdElec11
F 5	1425	Dr SdElec2
F#5	1426	Dr SdElec3
G 5	1427	Dr SdElec4
G#5	1428	Dr SdElec5
A 5	1429	Dr SdElec6
A#5	1430	Dr SdElec7
B 5	955	Pc ElClap1
C 6	956	Pc ElClap2

Нота	№ сигнала	Наименование сигнала
C 0	952	Pc BellTree
C#0	1391	Dr SdBrtMtSt
D 0	1397	Dr SdBrsWrSt
D#0	1394	Dr SdBrtMt2St
E 0	1400	Dr SdBswrAtSt
F 0	1387	Dr SdLvRolSt
F#0	932	Pc Castanet
G 0	1200	Dr SdNm1St
G#0	930	Pc Stick
A 0	1055	Dr BdT9-2
A#0	1232	Dr SdBsSt1-3
B 0	1017	Dr BdHISt
C 1	999	Dr BdNmSt1-2
C#1	1214	Dr SdFkSt1-3
D 1	1114	Dr SdBldSt1-4
D#1	940	Pc HandClapSt
E 1	1134	Dr SdSolSt1-4
F 1	1648	Dr TomBkLoSt
F#1	1498	Dr HHClS1-4St
G 1	1644	Dr TomRkMdSt
G#1	1518	Dr HHpdl1-3St
A 1	1636	Dr TomFlr St
A#1	1534	Dr HHOpn1-2St
B 1	1632	Dr TomLow St
C 2	1628	Dr TomMid St
C#2	1670	Dr CrashSt
D 2	1624	Dr TomHi St
D#2	1534	Dr HHOpn1-2St
E 2	1714	Dr RevCymbal
F 2	879	Pc TmbaleL1-3
F#2	857	Pc Conga Opn
G 2	875	Pc TmbaleH1-3
G#2	858	Pc CongaOpSlp
A 2	912	Pc TambRnSw
A#2	866	Pc TumbaOpen
B 2	945	Pc Cowbell1
C 3	933	Pc Clave
C#3	873	Pc Bongo H1
D 3	934	Pc WoodBlock
D#3	872	Pc Bongo L
E 3	934	Pc WoodBlock
F 3	522	Pc Dohol L
F#3	893	Pc Cabasa1-2
G 3	523	Pc Dohol H
G#3	899	Pc Shaker 1
A 3	932	Pc Castanet
A#3	890	Pc Maracas1-2
B 3	932	Pc Castanet
C 4	531	Pc Twaisat3
C#4	529	Pc Twaisat
D 4	530	Pc Twaisat2
D#4	532	Pc Twaisat4
E 4	532	Pc Twaisat4
F 4	503	Pc SmlTablDom
F#4	524	Pc BarasimDom
G 4	504	Pc SmlTablSnp
G#4	525	Pc BarasimSak
A 4	505	Pc SmlTablSak
A#4	526	Pc BarasimTak
B 4	506	Pc SmlTablTak
C 5	507	Pc BigTablDom
C#5	527	Pc Segal Dom
D 5	508	Pc BigTablTak
D#5	528	Pc Segal Tak
E 5	509	Pc BigTablSak
F 5	510	Pc TablaDom
F#5	511	Pc TablaTak1
G 5	517	Pc TablaTrem
G#5	512	Pc TablaTak2
A 5	513	Pc TablaTik1
A#5	516	Pc TablaSak1
B 5	515	Pc TablaTik3
C 6	514	Pc TablaTik2

Нота	№ сигнала	Наименование сигнала
C 0	514	Pc TablaTik2
C#0	494	Pc Wataiko
D 0	495	Pc DjembeEd
D#0	496	Pc DjembeMt
E 0	497	Pc DjembeOp
F 0	498	Pc DjembeCmb
F#0	499	Pc TablaBya
G 0	500	Pc TablaNah
G#0	501	Pc TablaMut
A 0	502	Pc TablaCmb
A#0	503	Pc SmlTablDom
B 0	503	Pc SmlTablDom
C 1	1095	Dr BdHardLong
C#1	1054	Dr BdT9-1
D 1	1437	Dr SdT9-2
D#1	955	Pc ElClap1
E 1	1164	Dr SdPwrL1-4
F 1	1665	Dr TomDistLo
F#1	1597	Dr HHClT9
G 1	1664	Dr TomDistHi
G#1	1599	Dr HHClT8-1
A 1	1661	Dr TomSyn1
A#1	1598	Dr HHOpT9
B 1	1662	Dr TomSyn2
C 2	1466	Dr SdHip1
C#2	1675	Dr Crash2
D 2	1462	Dr SdD&B4
D#2	1606	Dr HHClBreak
E 2	1714	Dr RevCymbal
F 2	879	Pc TmbaleL1-3
F#2	857	Pc Conga Opn
G 2	875	Pc TmbaleH1-3
G#2	858	Pc CongaOpSlp
A 2	912	Pc TambRnSw
A#2	866	Pc TumbaOpen
B 2	945	Pc Cowbell1
C 3	933	Pc Clave
C#3	873	Pc Bongo H1
D 3	934	Pc WoodBlock
D#3	872	Pc Bongo L
E 3	934	Pc WoodBlock
F 3	522	Pc Dohol L
F#3	893	Pc Cabasa1-2
G 3	523	Pc Dohol H
G#3	899	Pc Shaker 1
A 3	932	Pc Castanet
A#3	890	Pc Maracas1-2
B 3	932	Pc Castanet
C 4	531	Pc Twaisat3
C#4	529	Pc Twaisat
D 4	530	Pc Twaisat2
D#4	532	Pc Twaisat4
E 4	532	Pc Twaisat4
F 4	503	Pc SmlTablDom
F#4	524	Pc BarasimDom
G 4	504	Pc SmlTablSnp
G#4	525	Pc BarasimSak
A 4	505	Pc SmlTablSak
A#4	526	Pc BarasimTak
B 4	506	Pc SmlTablTak
C 5	507	Pc BigTablDom
C#5	527	Pc Segal Dom
D 5	508	Pc BigTablTak
D#5	528	Pc Segal Tak
E 5	509	Pc BigTablSak
F 5	510	Pc TablaDom
F#5	511	Pc TablaTak1
G 5	517	Pc TablaTrem
G#5	512	Pc TablaTak2
A 5	513	Pc TablaTik1
A#5	516	Pc TablaSak1
B 5	515	Pc TablaTik3
C 6	514	Pc TablaTik2

PRE 61 DanceSnare

Нота	№ сигнала	Наименование сигнала
C 0	1480	Dr SdFx1
C#0	1481	Dr SdFx2
D 0	1482	Dr SdFx3
D#0	1483	Dr SdFx4
E 0	1485	Dr SdDist
F 0	1486	Dr SdCut
F#0	1487	Dr SdDodgH
G 0	1488	Dr SdDodgL
G#0	1489	Dr SdFM
A 0	1491	Dr SdSyn
A#0	1495	Dr SdHammr
B 0	1496	Dr SdLofi
C 1	1436	Dr SdTr9-1
C#1	1437	Dr SdTr9-2
D 1	1438	Dr SdTr9-3
D#1	1439	Dr SdTr9-4
E 1	1440	Dr SdTr9-5
F 1	1441	Dr SdTr9Gate
F#1	1443	Dr SdTr8-1
G 1	1444	Dr SdTr8-2
G#1	1445	Dr SdTr8-3
A 1	1446	Dr SdTr8-4
A#1	1447	Dr SdTr8-5
B 1	1449	Dr SdAnSm
C 2	1451	Dr SdAnCR
C#2	1453	Dr SdHuman1
D 2	1455	Dr SdJngl1
D#2	1456	Dr SdJngl2
E 2	1457	Dr SdJngl3
F 2	1458	Dr SdJnglF
F#2	1459	Dr SdD&B1
G 2	1460	Dr SdD&B2
G#2	1461	Dr SdD&B3
A 2	1462	Dr SdD&B4
A#2	1463	Dr SdR&B1
B 2	1464	Dr SdR&B1Rm
C 3	1465	Dr SdR&B2
C#3	1466	Dr SdHip1
D 3	1467	Dr SdHip2
D#3	1468	Dr SdHip3
E 3	1469	Dr SdHipGate
F 3	1470	Dr SdHipRm1
F#3	1471	Dr SdHipRm2
G 3	1472	Dr SdHipRm3
G#3	1473	Dr SdHipRm4
A 3	1474	Dr SdHipRm5
A#3	1476	Dr SdBReak2
B 3	1478	Dr SdBReakHvy
C 4	1424	Dr SdElec1
C#4	1425	Dr SdElec2
D 4	1426	Dr SdElec3
D#4	1427	Dr SdElec4
E 4	1428	Dr SdElec5
F 4	1429	Dr SdElec6
F#4	1430	Dr SdElec7
G 4	1431	Dr SdElec8
G#4	1432	Dr SdElec9
A 4	1433	Dr SdElec10
A#4	1434	Dr SdElec11
B 4	1435	Dr SdElec12
C 5	1424	Dr SdElec1
C#5	1444	Dr SdTr8-2
D 5	1426	Dr SdElec3
D#5	1427	Dr SdElec4
E 5	1428	Dr SdElec5
F 5	1429	Dr SdElec6
F#5	1430	Dr SdElec7
G 5	1424	Dr SdElec1
G#5	1431	Dr SdElec8
A 5	1433	Dr SdElec10
A#5	1434	Dr SdElec11
B 5	1435	Dr SdElec12
C 6	1438	Dr SdTr9-3

PRE 62 SpecialSFX

Нота	№ сигнала	Наименование сигнала
C 0	625	Wv MiniBlip2
C#0	624	Wv MiniBlip1
D 0	626	Wv MiniBlip3
D#0	627	Wv MiniBlip4
E 0	628	Wv MiniBlip5
F 0	629	Wv MiniBlip6
F#0	792	Se BellFX1
G 0	793	Se BellFX2
G#0	801	Se ElPerc4
A 0	803	Se ElPerc6
A#0	812	Se ElPerc15
B 0	802	Se ElPerc5
C 1	799	Se ElPerc2
C#1	800	Se ElPerc3
D 1	804	Se ElPerc7
D#1	805	Se ElPerc8
E 1	806	Se ElPerc9
F 1	807	Se ElPerc10
F#1	811	Se ElPerc14
G 1	810	Se ElPerc13
G#1	800	Se ElPerc3
A 1	701	Wv Spectrum1
A#1	703	Wv Spectrum3
B 1	702	Wv Spectrum2
C 2	783	Me Shower St
C#2	786	Me ComputerSt
D 2	789	Me Chatter
D#2	779	Me EngrRoomSt
E 2	777	Me Raspberry
F 2	782	Me DigiHeli
F#2	763	Me HopFX1
G 2	710	Me Willow St
G#2	713	Me Anemone St
A 2	716	Me MagnitudSt
A#2	753	Me RadioNz
B 2	761	Me Quiek
C 3	770	Me StabGiant
C#3	769	Me StabOrch
D 3	771	Me StabHard
D#3	772	Me StabOrgan2
E 3	773	Me StabAah
F 3	774	Me Hit Uhh
F#3	775	Me HitOrch2
G 3	767	Me HitOrch1
G#3	768	Me HitBrass
A 3	724	Me OrchHit1St
A#3	727	Me OrchHit2St
B 3	730	Me OrchHit3
C 4	265	Gt PlayFx Mix
C#4	265	Gt PlayFx Mix
D 4	265	Gt PlayFx Mix
D#4	1834	Se Ab FX07
E 4	1835	Se Ab FX08
F 4	1836	Se Ab FX09
F#4	834	Se Scratch H
G 4	835	Se Scratch L
G#4	836	Se ScratchDwn
A 4	837	Se ScratchHIF
A#4	847	Se ScratchStp
B 4	848	Se ScratchSpn
C 5	790	Se Ripper
C#5	795	Se NzBurst
D 5	796	Se Zap1
D#5	797	Se Zap2
E 5	813	Se HiQ1
F 5	814	Se HiQ2
F#5	816	Se Bomb
G 5	819	Se FxGun1
G#5	739	Me Electer
A 5	740	Me HH Hit
A#5	576	Wv PWMfast
B 5	619	Wv FMBass2
C 6	633	Wv FMMetal2

PRE 63 Synthetic

Нота	№ сигнала	Наименование сигнала
C 0	1102	Dr BdElec2
C#0	847	Se ScratchStp
D 0	1398	Dr SdBrSwrL
D#0	1396	Dr SdBrMt2R
E 0	1397	Dr SdBrSwrSt
F 0	1390	Dr SdRollMono
F#0	623	Wv FMBass6
G 0	826	Se Seashore
G#0	801	Se ElPerc4
A 0	1107	Dr BdElComp3
A#0	1171	Dr SdPwrR2
B 0	1102	Dr BdElec2
C 1	1100	Dr BdSlimy
C#1	883	Pc TmbIIPailaH
D 1	1347	Dr SdPicol
D#1	954	Pc ClapAnSm
E 1	1433	Dr SdElec10
F 1	607	Wv MgBass2
F#1	814	Se HiQ2
G 1	607	Wv MgBass2
G#1	804	Se ElPerc7
A 1	1660	Dr TomT8
A#1	1602	Dr HHOpT8-2
B 1	1660	Dr TomT8
C 2	1660	Dr TomT8
C#2	1674	Dr Crash
D 2	1660	Dr TomT8
D#2	1699	Dr CupMono
E 2	1699	Dr CupMono
F 2	1699	Dr CupMono
F#2	843	Se ScratchSdf
G 2	1693	Dr RideCup RL
G#2	804	Se ElPerc7
A 2	1674	Dr Crash
A#2	745	Me HiLo
B 2	1705	Dr China
C 3	572	Wv RingMod
C#3	805	Se ElPerc8
D 3	572	Wv RingMod
D#3	804	Se ElPerc7
E 3	808	Se ElPerc11
F 3	886	Pc Paila H
F#3	886	Pc Paila H
G 3	763	Me HopFX1
G#3	764	Me HopFX2
A 3	834	Se Scratch H
A#3	837	Se ScratchHIF
B 3	797	Se Zap2
C 4	762	Me LfoSeq
C#4	762	Me LfoSeq
D 4	593	Wv MiniBa3
D#4	761	Me Quiek
E 4	778	Me DigiBreath
F 4	782	Me DigiHeli
F#4	804	Se ElPerc7
G 4	634	Wv FMOrgan1
G#4	536	Pc TibetnBowl
A 4	536	Pc TibetnBowl
A#4	527	Pc Segal Dom
B 4	781	Me EngrRoom R
C 5	805	Se ElPerc8
C#5	195	Gt SlIstl St
D 5	625	Wv MiniBlip2
D#5	702	Wv Spectrum2
E 5	628	Wv MiniBlip5
F 5	705	Wv Noise
F#5	1073	Dr BdD&B1
G 5	702	Wv Spectrum2
G#5	719	Me SabreTone
A 5	811	Se ElPerc14
A#5	805	Se ElPerc8
B 5	782	Me DigiHeli
C 6	952	Pc BellTree

PRE 64 SFX Kit

Нота	№ сигнала	Наименование сигнала
C 0	559	Wv FatSawMn
C#0	851	Se ScratchAtk
D 0	702	Wv Spectrum2
D#0	585	Wv 3o3Saw2
E 0	821	Se TurnTable
F 0	1390	Dr SdRollMono
F#0	623	Wv FMBass6
G 0	817	Se TapeRwmd
G#0	802	Se ElPerc5
A 0	1106	Dr BdElComp2
A#0	1194	Dr SdNmSt1-4
B 0	1100	Dr BdSlimy
C 1	1102	Dr BdElec2
C#1	593	Wv MiniBa3
D 1	1282	Dr SdBhSt1-3
D#1	586	Wv 3o3Squ
E 1	1263	Dr SdSon3L
F 1	1664	Dr TomDistHi
F#1	782	Me DigiHeli
G 1	1664	Dr TomDistHi
G#1	799	Se ElPerc2
A 1	1664	Dr TomDistHi
A#1	1602	Dr HHOpT8-2
B 1	1664	Dr TomDistHi
C 2	1664	Dr TomDistHi
C#2	1674	Dr Crash
D 2	1664	Dr TomDistHi
D#2	1692	Dr RideCup R
E 2	1689	Dr RideRL
F 2	1700	Dr CupMono2
F#2	837	Se ScratchHIF
G 2	1707	Dr SplashL
G#2	591	Wv MiniBa1
A 2	1666	Dr CrashCymSt
A#2	779	Me EngrRoomSt
B 2	1693	Dr RideCup RL
C 3	573	Wv SyncLFO
C#3	579	Wv P5SawLp
D 3	565	Wv OBStrings
D#3	1195	Dr SdNmSt1-3
E 3	808	Se ElPerc11
F 3	577	Wv PWMslow
F#3	762	Me LfoSeq
G 3	735	Me BigSyn
G#3	735	Me BigSyn
A 3	775	Me HitOrch2
A#3	503	Pc SmITablDom
B 3	655	Wv Digi03
C 4	655	Wv Digi03
C#4	653	Wv Digi01
D 4	653	Wv Digi01
D#4	765	Me Sonar1
E 4	771	Me StabHard
F 4	779	Me EngrRoomSt
F#4	789	Me Chatter
G 4	756	Me Hoo
G#4	534	Pc Mondira
A 4	534	Pc Mondira
A#4	163	Or Rotar
B 4	777	Me Raspberry
C 5	782	Me DigiHeli
C#5	586	Wv 3o3Squ
D 5	764	Me HopFX2
D#5	696	Wv DigiBell3
E 5	815	Se VoxHitRev
F 5	813	Se HiQ1
F#5	817	Se TapeRwmd
G 5	818	Se FxGun2
G#5	819	Se FxGun1
A 5	820	Se Thunder
A#5	822	Se Police
B 5	816	Se Bomb
C 6	816	Se Bomb

GM Drum Stereo GM

Нота	№ сигнала	Наименование сигнала
C 0	933	Pc Clave
C#0	1391	Dr SdBmSt
D 0	1397	Dr SdBmSt
D#0	1394	Dr SdBmSt2St
E 0	1400	Dr SdBmStAtSt
F 0	1387	Dr SdLvRolSt
F#0	932	Pc Castanet
G 0	1200	Dr SdNm1St
G#0	930	Pc Stick
A 0	1008	Dr BdFkSt1-2
A#0	1234	Dr SdBsSt2-3
B 0	1017	Dr BdHiSt
C 1	999	Dr BdNmSt1-2
C#1	1376	Dr SdClRmSt
D 1	1194	Dr SdNmSt1-4
D#1	953	Pc ClapT9
E 1	1233	Dr SdBsSt1-2
F 1	1636	Dr TomFlr St
F#1	1498	Dr HHCIs1-4St
G 1	1632	Dr TomLow St
G#1	1521	Dr HHPdl3 St
A 1	1632	Dr TomLow St
A#1	1536	Dr HHOpn2 St
B 1	1628	Dr TomMid St
C 2	1628	Dr TomMid St
C#2	1670	Dr CrashSt
D 2	1624	Dr TomHi St
D#2	1682	Dr RideCym St
E 2	1701	Dr ChinaSt
F 2	1690	Dr RideCup St
F#2	912	Pc TambrnSw
G 2	1706	Dr SplashL
G#2	946	Pc Cowbell2
A 2	1673	Dr CrashRL
A#2	935	Pc Vibraslap
B 2	1685	Dr RideCym RL
C 3	873	Pc Bongo H1
C#3	872	Pc Bongo L
D 3	859	Pc CongaTip
D#3	857	Pc Conga Opn
E 3	866	Pc TumbaOpen
F 3	875	Pc TmbaleH1-3
F#3	879	Pc TmbaleL1-3
G 3	922	Pc AgogoH
G#3	923	Pc AgogoLo
A 3	893	Pc Cabasa1-2
A#3	891	Pc MaracasSlr
B 3	936	Pc Whistle
C 4	936	Pc Whistle
C#4	926	Pc GuiroShort
D 4	925	Pc GuiroLong
D#4	933	Pc Clave
E 4	934	Pc WoodBlock
F 4	934	Pc WoodBlock
F#4	871	Pc CuicaHi
G 4	870	Pc CuicaLo
G#4	939	Pc TriangleMt
A 4	938	Pc TriangleOp
A#4	899	Pc Shaker 1
B 4	951	Pc SleighBel
C 5	952	Pc BellTree
C#5	1274	Dr SdBIL1-3
D 5	1297	Dr SdTgtSt1-4
D#5	1290	Dr SdBhR1-3
E 5	1317	Dr SdHipSt1-2
F 5	1020	Dr BdLoSt
F#5	1355	Dr SdLdWHMono
G 5	1075	Dr BdR&B1
G#5	1358	Dr SdHeavy
A 5	1043	Dr BdRoom1
A#5	1352	Dr SdAmb
B 5	1029	Dr BdFkSonSt
C 6	1044	Dr BdRoom2

Перечень исполнительских стилей

Номер	Наименование исполнительского стиля	Категория исполнительского стиля	Подкатегория
1	Wide River	Co	SEQ
2	DragonWind	Co	SEQ
3	Finale	St	ENSEM.
4	9Ft.Hammrz	Co	SEQ
5	Cathedral	Or	PIPE
6	Funk Jam	Co	SEQ
7	R&B E.P	Co	SEQ
8	Kathmandu	Co	SEQ
9	MotionRose	Me	MOTION
10	Trio Live	Co	SEQ
11	Dyno+Pad	Kb	E.PIANO
12	Cross Over	Co	SEQ
13	Love Rock!	Co	SEQ
14	AOR Unit	Co	SEQ
15	Voxy Pad	Pd	SOFT
16	Teknowhizz	Co	SEQ
17	BalladLand	Co	SEQ
18	Biologik	Co	SEQ
19	Dynasty	St	ENSEM.
20	Alterno	Co	SEQ
21	Sanctuary	Or	PIPE
22	ClawsOfFunk	Co	SEQ
23	Chillin'	Co	SEQ
24	DelhiShade	Gt	PLUCK
25	Scrubbed	Me	MOTION
26	JazzLegend	Co	SEQ
27	LoveAffair	Kb	E.PIANO
28	Easy Mood	Co	SPLIT
29	SoulOfOld	Co	SEQ
30	Coral	Co	SEQ
31	Big Back	Pd	SOFT
32	House Diva	Co	SEQ
33	Candle	Ap	OTHER
34	Tranceland	Co	SEQ
35	WindOrch	Rp	PIPE
36	Loud&Proud	Co	SEQ
37	Big Church	Co	SEQ
38	Samba Man	Co	SEQ
39	SpanishHip	Co	SEQ
40	7 Veils	Co	SEQ
41	MusicalBox	Pd	SOFT
42	JazzGTComb	Co	SEQ
43	Phase Dyno	Kb	E.PIANO
44	SoftAnalog	Co	SEQ
45	Tiger	Co	SEQ
46	SmoothTrio	Co	SEQ
47	Fat Analog	Pd	SOFT
48	FunkyHouse	Co	SEQ
49	Hands	Ap	OTHER
50	Scientific	Co	SEQ
51	F.Horn&Str	Br	SECTION
52	ConcertRck	Co	SEQ
53	Gospel	Co	SEQ
54	Latin Gig	Co	SPLIT
55	HoodBeater	Co	SEQ
56	Istanbul	Co	SEQ
57	Big Air	Pd	CHOIR
58	Rotor Stop	Co	SEQ
59	Dual DX	Kb	E.PIANO
60	80'sSynths	Co	SEQ
61	PlasticOrg	Or	ELEC.
62	Cruizin'	Co	SEQ
63	Mighty CS	Pd	SOFT
64	TranceSet	Co	SEQ

Номер	Наименование исполнительского стиля	Категория исполнительского стиля	Подкатегория
65	SoloToThis	Co	SEQ
66	New Retro	Co	SEQ
67	ConcrtHall	St	ENSEM.
68	Criminal	Gt	A.GTR
69	DbiManual	Or	ELEC.
70	LatinRockr	Co	SEQ
71	EasyGroove	Co	SEQ
72	Ya Rayah	Co	SEQ
73	GloomKing	Co	SPLIT
74	Jazzy Vibe	Co	SEQ
75	TX816 EP	Kb	E.PIANO
76	RareGroove	Co	SEQ
77	60's Club	Co	SEQ
78	PianoStack	Co	SEQ
79	Modjular	Ld	HARD
80	Out There	Me	MOTION
81	DreamGrand	Ap	A.PIANO
82	Loper	Co	SEQ
83	BellString	St	ENSEM.
84	GuitarBed	Co	SEQ
85	Organ Duo	Co	SEQ
86	Jazz-Fes	Co	SEQ
87	R&B 2003	Co	SEQ
88	Masala	Co	SEQ
89	Ruby Pad	Pd	SOFT
90	E.P&Harp	Co	SPLIT
91	E.P/String	Kb	E.PIANO
92	AnlogPower	Co	SEQ
93	70's Club	Co	SEQ
94	EP Kruzer	Co	SEQ
95	Super Lead	Ld	HARD
96	Spy Scene	Co	SEQ
97	BizarTango	Ap	OTHER
98	PlayzMusic	Co	SEQ
99	Brass&Strg	Br	SECTION
100	Wah Wow !	Co	SEQ
101	ProgBallad	Co	SEQ
102	San Juan	Co	SPLIT
103	Hop It	Co	SEQ
104	Traveller	Co	SEQ
105	Pulsewings	Co	SEQ
106	JazzLesson	Co	SPLIT
107	Strngs/Pno	Co	SPLIT
108	The Piper	Co	SPLIT
109	80's Club	Co	SEQ
110	70'sFusion	Co	SEQ
111	Mono&Poly	Co	SPLIT
112	Transfer	Co	SEQ
113	DreamBlld	Ap	OTHER
114	Cosmos	Co	SEQ
115	Bullseye	Co	SEQ
116	Outcast	Co	SEQ
117	OrbitOrgns	Co	SEQ
118	Funkology	Co	SEQ
119	Shibui	Co	SEQ
120	Ethnotic	Co	SEQ
121	Submarinez	Me	MOTION
122	NuJazz Gig	Co	SEQ
123	Down Town	Co	SPLIT
124	Happy Hour	Co	SEQ
125	SweetJam	Co	SEQ
126	DarkGroove	Co	SEQ
127	SmoothLead	Co	SPLIT
128	Mektronica	Co	SEQ

Перечень типов эффектов

Категория эффекта	Наименование эффекта	ЖК дисплей	MIDI (16-ричное)		№				
			MSB	LSB	REV	CHO	InsA	InsB	
	---	NO EFFECT	off	00	00	0	0		
	---	THRU	Thru	--	--			0	0
РЕВЕРБЕРАЦИЯ									
	REV	HALL 1	Hall 1	01	00	1	1	1	1
	REV	HALL 2	Hall 2	01	01	2	2	2	2
	REV	ROOM 1	Room 1	01	10	3	3	3	3
	REV	ROOM 2	Room 2	01	11	4	4	4	4
	REV	ROOM 3	Room 3	01	12	5	5	5	5
	REV	STAGE 1	Stage 1	01	20	6	6	6	6
	REV	STAGE 2	Stage 2	01	21	7	7	7	7
	REV	PLATE	Plate	01	30	8	8	8	8
	REV	WHITE ROOM	White Room	01	40	9			
	REV	TUNNEL	Tunnel	01	41	10			
	REV	BASEMENT	Basement	01	42	11			
	REV	CANYON	Canyon	01	43	12			
	REV	R3 HALL	R3 Hall	01	02	13			
	REV	R3 ROOM	R3 Room	01	13	14			
	REV	R3 PLATE	R3 Plate	01	31	15			
	REV	LARGE HALL	Large Hall	01	08	16			
	REV	MIDIUM HALL	Medium Hall	01	09	17			
	REV	WARM ROOM	Warm Room	01	18	18			
	REV	WOODY ROOM	Woody Room	01	19	19			
	REV	RICH PLATE	Rich Plate	01	38	20			
ЗАДЕРЖКА									
	DLY	DELAY L, C, R	Delay L,C,R	02	00		9	9	9
	DLY	DELAY L, R	Delay L,R	02	10		10	10	10
	DLY	DELAY L, R (Stereo)	Delay L,R St	02	18		11	11	11
	DLY	ECHO	Echo	02	20		12	12	12
	DLY	CROSS DELAY	Cross Delay	02	30		13	13	13
	DLY	CONTROL DELAY (MONO)	Ctrl Delay 1	02	40			14	14
	DLY	CONTROL DELAY (STEREO)	Ctrl Delay 2	02	48			15	15
	DLY	TEMPO DELAY (MONO)	TempoDelay 1	02	50		14	16	16
	DLY	TEMPO DELAY (STEREO)	TempoDelay 2	02	58		15	17	17
	DLY	TEMPO CROSS DELAY	TempoCrosDly	02	60		16	18	18
РАННЕЕ ОТРАЖЕНИЕ									
	ER	EARLY REFLECTION 1	Early Ref 1	03	00		17	19	19
	ER	EARLY REFLECTION 2	Early Ref 2	03	01		18	20	20
	ER	GATE REVERB	Gate Reverb	03	10		19	21	21
	ER	REVERSE GATE	Reverse Gate	03	20		20	22	22
КАРАОКЕ									
	KAR	KARAOKЕ 1	Karaoke 1	04	00		21	23	23
	KAR	KARAOKЕ 2	Karaoke 2	04	01		22	24	24
	KAR	KARAOKЕ 3	Karaoke 3	04	02		23	25	25
ХОРУС									
	CHO	CHORUS 1	Chorus 1	05	00		24	26	26
	CHO	CHORUS 2	Chorus 2	05	01		25	27	27
	CHO	CHORUS 3	Chorus 3	05	02		26	28	28
	CHO	CHORUS 4	Chorus 4	05	08		27	29	29
	CHO	CHORUS 5	Chorus 5	05	09		28	30	30
	CHO	CELESTE 1	Celeste 1	05	10		29	31	31
	CHO	CELESTE 2	Celeste 2	05	11		30	32	32
	CHO	CELESTE 3	Celeste 3	05	12		31	33	33
	CHO	CELESTE 4	Celeste 4	05	18		32	34	34
	CHO	SYMPHONIC	Symphonic	05	20		33	35	35
	CHO	ENSEMBLE DETUNE	Ensemble	05	30		34	36	36
ФЛЭНДЖЕР									
	FLG	FLANGER 1	Flanger 1	06	00		35	37	37
	FLG	FLANGER 2	Flanger 2	06	01		36	38	38
	FLG	FLANGER 3	Flanger 3	06	08		37	39	39
	FLG	V-FLANGER	V-Flanger	06	10		38	40	40
	FLG	VINTAGE FLANGER 1	VntgFlanger1	06	20		39	41	41
	FLG	VINTAGE FLANGER 2	VntgFlanger2	06	21		40	42	42
	FLG	VINTAGE FLANGER 3	VntgFlanger3	06	22		41	43	43
	FLG	TEMPO FLANGER	TempoFlanger	06	50		42	44	44
	FLG	DYNAMIC FLANGER	DynamFlanger	06	60			45	45
ФЭЙЗЕР									
	PHA	PHASER 1	Phaser 1	07	00		43	46	46
	PHA	PHASER 2	Phaser 2	07	08		44	47	47
	PHA	VINTAGE STEREO PHASER 1	VntgPhsr1 St	07	20		45	48	48
	PHA	VINTAGE STEREO PHASER 2	VntgPhsr2 St	07	21		46	49	49
	PHA	VINTAGE MONO PHASER 1	VntgPhsr1 Mn	07	30		47	50	50
	PHA	VINTAGE MONO PHASER 2	VntgPhsr2 Mn	07	31		48	51	51
	PHA	TEMPO PHASER	TempoPhaser	07	50		49	52	52
	PHA	DYNAMIC PHASER	DynamPhaser	07	60			53	53
МОДУЛЯЦИЯ									
	MOD	TREMOLO	Tremolo	08	00			54	54
	MOD	AUTO PAN	Auto Pan	08	10			55	55
	MOD	AUTO PAN2	Auto Pan 2	08	11			56	56
	MOD	ROTARY SPEAKER	Rotary SP 1	08	50			57	57
	MOD	DISTORTION+ROTARY SPEAKER	Dist+RotSp1	08	51			58	58
	MOD	OVERDRIVE+ROTARY SPEAKER	Odrv+RotSp1	08	52			59	59
	MOD	AMP SIM.+ROTARY SPEAKER	Amp +RotSp1	08	53			60	60
	MOD	2WAY ROTARY SPEAKER	Rotary Sp 2	08	60			61	61
	MOD	DISTORTION+2WAY ROTARY SPEAKER	Dist+RotSp2	08	61			62	62
	MOD	OVERDRIVE+2WAY ROTARY SPEAKER	Odrv+RotSp2	08	62			63	63
	MOD	AMP SIM.+2WAY ROTARY SPEAKER	Amp +RotSp2	08	63			64	64
	MOD	DUAL ROTOR SPEAKER1	Dual RotSp 1	08	70			65	65
	MOD	DUAL ROTOR SPEAKER2	Dual RotSp 2	08	71			66	66
	MOD	DUAL ROTOR SPEAKER3	Dual RotSp 3	08	72			67	67

Категория эффекта	Наименование эффекта	ЖК дисплей	MIDI (16-ричное)		№				
			MSB	LSB	REV	CHO	InsA	InsB	
ДИСТОРШН									
	DST	DISTORTION	Distortion	09	00			68	68
	DST	COMP DISTORTION	Comp + Dist	09	01			69	69
	DST	V-DISTORTION	V-Distortion	09	10			70	70
	DST	OVERDRIVE	Overdrive	09	20			71	71
	DST	AMP SIMULATOR	AmpSimulator	09	30			72	72
	DST	AMP SIMULATOR2	AmpSim 2	09	31			73	73
	DST	DISTORTION+DELAY	Dist + Delay	09	40			74	74
	DST	OVERDRIVE+DELAY	Odrv + Delay	09	41			75	75
ДИНАМИКА									
	DYN	COMPRESSOR	Compressor	0A	00			76	76
	DYN	NOISE GATE	Noise Gate	0A	20			77	77
	DYN	COMP+DISTORTION+DELAY	Cmp+Dist+Dly	0A	40			78	78
	DYN	COMP+OVERDRIVE+DELAY	Cmp+Odrv+Dly	0A	41			79	79
	DYN	MULTI BAND COMP 1	MltBndComp 1	0A	50			80	80
	DYN	MULTI BAND COMP 2	MltBndComp 2	0A	51			81	81
ИЗМЕНЕНИЕ ВЫСОТЫ ТОНА									
	PCH	PITCH CHANGE 1	PitchChange1	0B	00			82	82
	PCH	PITCH CHANGE 2	PitchChange2	0B	01			83	83
ВАУ									
	WAH	AUTO WAH	Auto Wah	0C	00			84	84
	WAH	AUTO WAH+DISTORTION	A.Wah+Dist	0C	01			85	85
	WAH	AUTO WAH+OVERDRIVE	A.Wah+Odrv	0C	02			86	86
	WAH	VINTAGE AUTO WAH 1	Vntg A.Wah1	0C	20			87	87
	WAH	VINTAGE AUTO WAH 2	Vntg A.Wah2	0C	21			88	88
	WAH	TOUCH WAH	Touch Wah	0C	10			89	89
	WAH	TOUCH WAH+DISTORTION	T.Wah+Dist	0C	11			90	90
	WAH	TOUCH WAH+OVERDRIVE	T.Wah+Odrv	0C	12			91	91
	WAH	VINTAGE TOUCH WAH 1	Vntg T.Wah1	0C	30			92	92
	WAH	VINTAGE TOUCH WAH 2	Vntg T.Wah2	0C	31			93	93
	WAH	WAH+DISTORTION+DELAY	Wah+Dist+Dly	0C	40			94	94
	WAH	WAH+OVERDRIVE+DELAY	Wah+Odrv+Dly	0C	41			95	95
ЛО-ФИ									
	L-F	LO-FI	Lo-Fi	0D	00			96	96
	L-F	LOW RESOLUTION	LoResolution	0D	10			97	97
	L-F	NOISY	Noisy	0D	20			98	98
	L-F	ATTACK LOFI	Attack LoFi	0D	30			99	99
	L-F	DIGITAL TURNTABLE	D.Turntable	0D	50			100	100
ТЕЧ									
	TEC	DIGITAL SCRATCH	D.Scratch	0E	00			101	101
	TEC	AUTO SYNTH	Auto Synth	0E	10			102	102
	TEC	TECH MODULATION	Tech Mod	0E	20			103	103
	TEC	JUMP	Jump	0E	30			104	104
	TEC	ISOLATOR	Isolator	0E	40			105	105
	TEC	SLICE	Slice	0E	50			106	106
РАЗНОЕ									
	MSC	3-BAND EQ	3 Band EQ	0F	00			107	107
	MSC	2-BAND EQ	2 Band EQ	0F	01			108	108
	MSC	HARMONIC ENHANCER	Enhancer	0F	10			109	109
	MSC	VOICE CANCEL	Voice Cancel	0F	20			110	110
	MSC	AMBIENCE	Ambience	0F	30			111	111
	MSC	TALKING MODULATOR	Talking Mod	0F	40			112	112
	MSC	BEAT CHANGE	Beat Change	0F	50			113	113
	MSC	DAMPER RESONANCE	Damper Reso	0F	60			114	114
	MSC	RING MODULATOR	Ring Mod	0F	70			115	115
	MSC	DYNAMIC RING MODULATOR	DynamRingMod	0F	71			116	116
	MSC	DYNAMIC FILTER	DynamFilter	0F	78			117	117

Перечень параметров эффектов

Блок реверберации

HALL1 – PLATE, R3 HALL – R3 PLATE

№	Параметр	Диапазон	Значение	№ таблицы
01	Reverb Time	0.3s – 30.0s	(0 – 69)	4
02	Diffusion	0 – 10	(0 – 10)	
03	Initial Delay	0.1ms – 200.0ms	(0 – 127)	5
04	HPF Cutoff Frequency	20Hz – 8.0kHz	(0 – 52)	3
05	LPF Cutoff Frequency	1.0kHz – 20.0kHz	(34 – 60)	3
11	Reverb Delay	0.1ms – 200.0ms	(0 – 127)	5
12	Density	0 – 4	(0 – 4)	
13	ER / Rev Balance	E63>R – E=R – E<R63	(1 – 127)	
14	Feedback High Damp	0.1 – 1.0	(1 – 10)	
15	Feedback Level	-63 – +63	(1 – 127)	

WHITE ROOM – CANYON

№	Параметр	Диапазон	Значение	№ таблицы
01	Reverb Time	0.3s – 30.0s	(0 – 69)	4
02	Diffusion	0 – 10	(0 – 10)	
03	Initial Delay	0.1ms – 200.0ms	(0 – 127)	5
04	HPF Cutoff Frequency	20Hz – 8.0kHz	(0 – 52)	3
05	LPF Cutoff Frequency	1.0kHz – 20.0kHz	(34 – 60)	3
06	Width	0.5m – 30.2m	(0 – 104)	11
07	Height	0.5m – 30.2m	(0 – 104)	11
08	Depth	0.5m – 30.2m	(0 – 104)	11
09	Wall Vary	0 – 30	(0 – 30)	
11	Reverb Delay	0.1ms – 200.0ms	(0 – 127)	5
12	Density	0 – 4	(0 – 4)	
13	ER / Rev Balance	E63>R – E=R – E<R63	(1 – 127)	
14	Feedback High Damp	0.1 – 1.0	(1 – 10)	
15	Feedback Level	-63 – +63	(1 – 127)	

LARGE HALL – RICH PLATE

№	Параметр	Диапазон	Значение	№ таблицы
01	Reverb Time	0.3s – 18.0s/10.0s/26.0s	(0 – 69)	25/26/27
02	Diffusion	0 – 10	(0 – 10)	
03	Initial Delay	0.1ms – 200.0ms	(0 – 127)	5
04	HPF Cutoff Frequency	20Hz – 8.0kHz	(0 – 52)	3
05	LPF Cutoff Frequency	1.0kHz – 20.0kHz	(34 – 60)	3
06	Room Size	0 – 31	(0 – 31)	
07	High Ratio	0.1 – 1.0	(1 – 10)	
08	Low Ratio	0.1 – 1.4	(1 – 14)	
09	Decay	0 – 63	(0 – 63)	

Large Hall, Medium Hall: (Таблица № 25)

Warm Room, Woody Room: (Таблица № 26)

Rich Plate: (Таблица № 27)

Подробнее см. таблицу назначения эффектов.

Блок хора, Вставки А, В

THRU

HALL1 – PLATE

№	Параметр	Диапазон	Значение	№ таблицы
01	Reverb Time	0.3s – 30.0s	(0 – 69)	4
02	Diffusion	0 – 10	(0 – 10)	
03	Initial Delay	0.1ms – 99.3ms	(0 – 63)	5
04	HPF Cutoff Frequency	20Hz – 8.0kHz	(0 – 52)	3
05	LPF Cutoff Frequency	1.0kHz – 20.0kHz	(34 – 60)	3
10	Dry / Wet Balance	D63>W – D=W – D<W63	(1 – 127)	
11	Reverb Delay	0.1ms – 99.3ms	(0 – 63)	5
12	Density	0 – 4	(0 – 4)	
13	ER / Rev Balance	E63>R – E=R – E<R63	(1 – 127)	
14	Feedback High Damp	0.1 – 1.0	(1 – 10)	
15	Feedback Level	-63 – +63	(1 – 127)	

DELAY L, C, R

№	Параметр	Диапазон	Значение	№ таблицы
01	Delay Time L	0.1ms – 1638.3ms	(1 – 16383)	
02	Delay Time R	0.1ms – 1638.3ms	(1 – 16383)	
03	Delay Time C	0.1ms – 1638.3ms	(1 – 16383)	
04	Feedback Time	0.1ms – 1638.3ms	(1 – 16383)	
05	Feedback Level	-63 – +63	(1 – 127)	
06	Delay Level C	0 – 127	(0 – 127)	
07	Feedback High Damp	0.1 – 1.0	(1 – 10)	
10	Dry / Wet Balance	D63>W – D=W – D<W63	(1 – 127)	
13	EQ Low Frequency	32Hz – 2.0kHz	(4 – 40)	3
14	EQ Low Gain	-12dB – +12dB	(52 – 76)	
15	EQ High Frequency	500Hz – 16.0kHz	(28 – 58)	3
16	EQ High Gain	-12dB – +12dB	(52 – 76)	

DELAY L, R

№	Параметр	Диапазон	Значение	№ таблицы
01	Delay Time L	0.1ms – 1638.3ms	(1 – 16383)	
02	Delay Time R	0.1ms – 1638.3ms	(1 – 16383)	
03	Feedback Time 1	0.1ms – 1638.3ms	(1 – 16383)	
04	Feedback Time 2	0.1ms – 1638.3ms	(1 – 16383)	
05	Feedback Level	-63 – +63	(1 – 127)	
06	Feedback High Damp	0.1 – 1.0	(1 – 10)	
10	Dry / Wet Balance	D63>W – D=W – D<W63	(1 – 127)	

13–16: То же, что и для выделенных серым параметров в таблице DELAY L, C, R выше

DELAY L, R (Stereo)

№	Параметр	Диапазон	Значение	№ таблицы
01	Delay Time L	0.1ms – 1638.3ms	(1 – 16383)	
02	Delay Time R	0.1ms – 1638.3ms	(1 – 16383)	
03	Feedback Time L	0.1ms – 1638.3ms	(1 – 16383)	
04	Feedback Time R	0.1ms – 1638.3ms	(1 – 16383)	
05	Feedback Level	-63 – +63	(1 – 127)	
06	Feedback High Damp	0.1 – 1.0	(1 – 10)	
10	Dry / Wet Balance	D63>W – D=W – D<W63	(1 – 127)	

13–16: То же, что и для выделенных серым параметров в таблице DELAY L, C, R выше

ECHO

№	Параметр	Диапазон	Значение	№ таблицы
01	Delay Time L1	0.1ms – 1638.3ms	(1 – 16383)	
02	Feedback Level L	-63 – +63	(1 – 127)	
03	Delay Time R1	0.1ms – 1638.3ms	(1 – 16383)	
04	Feedback Level R	-63 – +63	(1 – 127)	
05	Feedback High Damp	0.1 – 1.0	(1 – 10)	
06	Delay Time L2	0.1ms – 1638.3ms	(1 – 16383)	
07	Delay Time R2	0.1ms – 1638.3ms	(1 – 16383)	
08	Delay Level 2	0 – 127	(0 – 127)	
10	Dry / Wet Balance	D63>W – D=W – D<W63	(1 – 127)	

13–16: То же, что и для выделенных серым параметров в таблице DELAY L, C, R выше

CROSS DELAY

№	Параметр	Диапазон	Значение	№ таблицы
01	Delay Time L>R	0.1ms – 1638.3ms	(1 – 16383)	
02	Delay Time R>L	0.1ms – 1638.3ms	(1 – 16383)	
03	Feedback Level	-63 – +63	(1 – 127)	
04	Input Select	L, R, L&R	(0 – 2)	
05	Feedback High Damp	0.1 – 1.0	(1 – 10)	
10	Dry / Wet Balance	D63>W – D=W – D<W63	(1 – 127)	

13–16: То же, что и для выделенных серым параметров в таблице DELAY L, C, R выше

CONTROL DELAY 1 (MONO)

№	Параметр	Диапазон	Значение	№ таблицы
01	Delay Time	0.1ms – 1486.0ms	(1 – 14860)	
02	Delay Transition Rate	1 – 48	(1 – 48)	
03	Feedback Level	-63 – +63	(1 – 127)	
04	Feedback High Damp	0.1 – 1.0	(1 – 10)	
05	Delay Time Offset	0 – 127	(0 – 127)	
06-09:	То же, что и для выделенных серым параметров в таблице DELAY L, C, R выше			
10	Dry / Wet Balance	D63>W – D=W – D<W63	(1 – 127)	
11	Control Type	normal, scratch	(0 – 1)	

CONTROL DELAY 2 (STEREO)

№	Параметр	Диапазон	Значение	№ таблицы
01	Delay Time	0.1ms – 1486.0ms	(1 – 14860)	
02	Delay transition rate	1 – 48	(1 – 48)	
03	Feedback Level	-63 – +63	(1 – 127)	
04	Feedback High Damp	0.1 – 1.0	(1 – 10)	
05	Delay Time Offset	0 – 127	(0 – 127)	
06-09: То же, что и для выделенных серым параметров в таблице DELAY L, C, R выше				
10	Dry / Wet Balance	D63>W – D=W – D<W63	(1 – 127)	
11	Control Type	normal, scratch	(0 – 1)	

TEMPO DELAY 1 (MONO)

№	Параметр	Диапазон	Значение	№ таблицы
01	Delay Time	32nd/3 – 4thx6	(0 – 19)	14
02	Feedback Level	-63 – +63	(1 – 127)	
03	Feedback High Dump	0.1 – 1.0	(1 – 10)	
04	L/R Diffusion	-63ms – +63ms	(1 – 127)	
05	Lag	-63ms – +63ms	(1 – 127)	
10	Dry/Wet	D63>W – D=W – D<W63	(1 – 127)	
13	EQ Low Frequency	32Hz – 2.0kHz	(4 – 40)	3
14	EQ Low Gain	-12dB – +12dB	(52 – 76)	
15	EQ High Frequency	500Hz – 16.0kHz	(28 – 58)	3
16	EQ High Gain	-12dB – +12dB	(52 – 76)	

TEMPO DELAY 2 (STEREO)

№	Параметр	Диапазон	Значение	№ таблицы
01	Delay Time	32nd/3 – 4thx6	(0 – 19)	14
02	Feedback Level	-63 – +63	(1 – 127)	
03	Feedback High Dump	0.1 – 1.0	(1 – 10)	
04	L/R Diffusion	-63ms – +63ms	(1 – 127)	
05	Lag	-63ms – +63ms	(1 – 127)	
10	Dry/Wet	D63>W – D=W – D<W63	(1 – 127)	
13	EQ Low Frequency	32Hz – 2.0kHz	(4 – 40)	3
14	EQ Low Gain	-12dB – +12dB	(52 – 76)	
15	EQ High Frequency	500Hz – 16.0kHz	(28 – 58)	3
16	EQ High Gain	-12dB – +12dB	(52 – 76)	

TEMPO CROSS DELAY

№	Параметр	Диапазон	Значение	№ таблицы
01	Delay Time L>R	32nd/3 – 4thx6	(0 – 19)	14
02	Delay Time R>L	32nd/3 – 4thx6	(0 – 19)	14
03	Feedback Level	-63 – +63	(1 – 127)	
04	Input Select	L, R, L&R	(0 – 2)	
05	Feedback High Dump	0.1 – 1.0	(1 – 10)	
06	Lag	-63ms – +63ms	(1 – 127)	
10	Dry/Wet	D63>W – D=W – D<W63	(1 – 127)	
13	EQ Low Frequency	32Hz – 2.0kHz	(4 – 40)	3
14	EQ Low Gain	-12dB – +12dB	(52 – 76)	
15	EQ High Frequency	500Hz – 16.0kHz	(28 – 58)	3
16	EQ High Gain	-12dB – +12dB	(52 – 76)	

EARLY REFLECTION1 – 2

№	Параметр	Диапазон	Значение	№ таблицы
01	Type	S-hall, L-hall, random, reverse, plate, spring	(0 – 5)	
02	Room Size	0.1 – 20.0	(0 – 127)	6
03	Diffusion	0 – 10	(0 – 10)	
04	Initial Delay	0.1ms – 200.0ms	(0 – 127)	5
05	Feedback Level	-63 – +63	(1 – 127)	
06	HPF Cutoff Frequency	20Hz – 8.0kHz	(0 – 52)	3
07	LPF Cutoff Frequency	1.0kHz – 20.0kHz	(34 – 60)	3
10	Dry / Wet Balance	D63>W – D=W – D<W63	(1 – 127)	
11	Liveness	0 – 10	(0 – 10)	
12	Density	0 – 3	(0 – 3)	
13	Feedback High Damp	0.1 – 1.0	(1 – 10)	

**GATE REVERB
REVERSE GATE**

№	Параметр	Диапазон	Значение	№ таблицы
01	Type	type-A, type-B	(0 – 1)	
02–13: То же, что и для «EARLY REFLECTION1».				

KARAOKE1 – 3

№	Параметр	Диапазон	Значение	№ таблицы
01	Delay Time	0.1ms – 400.0ms	(0 – 127)	7
02	Feedback Level	-63 – +63	(1 – 127)	
03	HPF Cutoff Frequency	20Hz – 8.0kHz	(0 – 52)	3
04	LPF Cutoff Frequency	1.0kHz – 20.0kHz	(34 – 60)	3
10	Dry / Wet Balance	D63>W – D=W – D<W63	(1 – 127)	
11	Density	0 – 3	(0 – 3)	

**CHORUS1 – 5
CELESTE1 – 4**

№	Параметр	Диапазон	Значение	№ таблицы
01	LFO Speed	0.0Hz – 39.70Hz	(0 – 127)	1
02	LFO Depth	0 – 127	(0 – 127)	
03	Feedback Level	-63 – +63	(1 – 127)	
04	Delay Offset	0.0ms – 50.0ms	(0 – 127)	2
06-09: То же, что и для выделенных серым параметров в таблице DELAY L, C, R на стр. 27.				
10	Dry / Wet Balance	D63>W – D=W – D<W63	(1 – 127)	
11	EQ Mid Frequency	100Hz – 10.0kHz	(14 – 54)	3
12	EQ Mid Gain	-12dB – +12dB	(52 – 76)	
13	EQ Mid Width	0.1 – 12.0	(1 – 120)	
15	Input Mode	mono/stereo	(0 – 1)	

SYMPHONIC

№	Параметр	Диапазон	Значение	№ таблицы
01	LFO Speed	0.0Hz – 39.70Hz	(0 – 127)	1
02	LFO Depth	0 – 127	(0 – 127)	
03	Delay Offset	0.0ms – 50.0ms	(0 – 127)	2
06-09: То же, что и для выделенных серым параметров в таблице DELAY L, C, R на стр. 27.				
10	Dry / Wet Balance	D63>W – D=W – D<W63	(1 – 127)	
11	EQ Mid Frequency	100Hz – 10.0kHz	(14 – 54)	3
12	EQ Mid Gain	-12dB – +12dB	(52 – 76)	
13	EQ Mid Width	0.1 – 12.0	(1 – 120)	

ENSEMBLE DETUNE

№	Параметр	Диапазон	Значение	№ таблицы
01	Detune	-50cent – +50cent	(14 – 114)	
02	Initial Delay Lch	0.0ms – 50.0ms	(0 – 127)	2
03	Initial Delay Rch	0.0ms – 50.0ms	(0 – 127)	2
10	Dry / Wet Balance	D63>W – D=W – D<W63	(1 – 127)	
11–14: То же, что и для выделенных серым параметров в таблице DELAY L, C, R на стр. 27.				

FLANGER1 – 3

№	Параметр	Диапазон	Значение	№ таблицы
01	LFO Speed	0.0Hz – 39.70Hz	(0 – 127)	1
02	LFO Depth	0 – 127	(0 – 127)	
03	Feedback Level	-63 – +63	(1 – 127)	
04	Delay Offset	0.0ms – 50.0ms	(0 – 127)	2
06-09: То же, что и для выделенных серым параметров в таблице DELAY L, C, R на стр. 27.				
10	Dry / Wet Balance	D63>W – D=W – D<W63	(1 – 127)	
11	EQ Mid Frequency	100Hz – 10.0kHz	(14 – 54)	3
12	EQ Mid Gain	-12dB – +12dB	(52 – 76)	
13	EQ Mid Width	0.1 – 12.0	(1 – 120)	
14	LFO Phase Difference	-180deg – +180deg	(4 – 124)	

V-FLANGER

№	Параметр	Диапазон	Значение	№ таблицы
01	LFO Speed	0.0Hz – 39.70Hz	(0 – 127)	1
02	LFO Depth	0 – 127	(0 – 127)	
03	LFO Wave	Triangle, Sine, Random	(0 – 2)	
04	Delay Offset	0.09 – 36.21ms	(0 – 139)	20
05	Feedback Level	-100 – +100%	(0 – 200)	
06-09: То же, что и для выделенных серым параметров в таблице DELAY L, C, R на стр. 27.				
10	Dry / Wet Balance	D63>W – D=W – D<W63	(1 – 127)	
11	EQ Mid Frequency	100Hz – 10.0kHz	(14 – 54)	3
12	EQ Mid Gain	-12dB – +12dB	(52 – 76)	
13	EQ Mid Width	0.1 – 12.0	(1 – 120)	
14	Modulation Phase	-180 – +180	(0 – 16)	21
15	Feedback High Damp	0.1 – 1.0	(1 – 10)	
16	Analog Feel	0 – 10	(0 – 10)	

VINTAGE FLANGER 1 – 3

№	Параметр	Диапазон	Значение	№ таблицы	
01	Speed	0.040Hz – 10.00Hz	(0 – 235)	22	
02	Manual	0 – 127	(0 – 127)		
03	Depth	0 – 127	(0 – 127)		
04	Feedback	0 – 127	(0 – 127)		
05	Type	1 – 3	(0 – 2)		
06	Spread	0 – 127	(0 – 127)		
07	Mix	0 – 127	(0 – 127)		
13	EQ Low Frequency	32Hz – 2.0kHz	(4 – 40)		3
14	EQ Low Gain	-12dB – +12dB	(52 – 76)		
15	EQ High Frequency	500Hz – 16.0kHz	(28 – 58)		
16	EQ High Gain	-12dB – +12dB	(52 – 76)		

TEMPO FLANGER

№	Параметр	Диапазон	Значение	№ таблицы	
01	LFO Speed	16th – 4thx8	(5 – 21)	14	
02	LFO Depth	0 – 127	(0 – 127)		
03	Feedback Level	-63 – +63	(1 – 127)		
04	Delay Offset	0.0ms – 50.0ms	(0 – 127)		2
05	LFO Phase Reset	off (free run), KeyOnReset, SEQ Start Reset	(0 – 2)		
06	EQ Low Frequency	32Hz – 2.0kHz	(4 – 40)	3	
07	EQ Low Gain	-12dB – +12dB	(52 – 76)		
08	EQ High Frequency	500Hz – 16.0kHz	(28 – 58)	3	
09	EQ High Gain	-12dB – +12dB	(52 – 76)		
10	Dry / Wet Balance	D63>W – D=W – D<W63	(1 – 127)	3	
11	EQ Mid Frequency	100Hz – 10.0kHz	(14 – 54)		
12	EQ Mid Gain	-12dB – +12dB	(52 – 76)		
13	EQ Mid Width	0.1 – 12.0	(1 – 120)		
14	LFO Phase Difference	-180deg – +180deg	(4 – 124)		

DYNAMIC FLANGER

№	Параметр	Диапазон	Значение	№ таблицы	
01	Sensitivity	0 – 127	(0 – 127)	17	
02	Delay Time Offset	0 – 127	(0 – 127)		
03	Feedback Level	-63 – +63	(1 – 127)		
04	Attack Time	0.3ms – 227ms	(0 – 127)		
05	Release Time	2.6ms – 2171ms	(0 – 127)		18
06	Release Curve	0 – 127	(0 – 127)		
07	Direction	up, down	(0 – 1)		
08	Dyna Threshold Level	0 – 127	(0 – 127)		
09	Dyna Level Offset	0 – 127	(0 – 127)		
10	Dry / Wet Balance	D63>W – D=W – D<W63	(1 – 127)		
13	EQ Low Frequency	32Hz – 2.0kHz	(4 – 40)	3	
14	EQ Low Gain	-12dB – +12dB	(52 – 76)		
15	EQ High Frequency	500Hz – 16.0kHz	(28 – 58)	3	
16	EQ High Gain	-12dB – +12dB	(52 – 76)		

PHASER1

№	Параметр	Диапазон	Значение	№ таблицы
01	LFO Speed	0.0Hz – 39.70Hz	(0 – 127)	1
02	LFO Depth	0 – 127	(0 – 127)	
03	Phase Shift Offset	0 – 127	(0 – 127)	
04	Feedback Level	-63 – +63	(1 – 127)	
06-09: То же, что и для выделенных серым параметров в таблице DELAY L, C, R на стр. 27.				
10	Dry / Wet Balance	D63>W – D=W – D<W63	(1 – 127)	3
11	Stage	4 – 22	(4 – 22)	
12	Diffusion	mono/stereo	(0 – 1)	

PHASER2

№	Параметр	Диапазон	Значение	№ таблицы
01	LFO Speed	0.0Hz – 39.70Hz	(0 – 127)	1
02	LFO Depth	0 – 127	(0 – 127)	
03	Phase Shift Offset	0 – 127	(0 – 127)	
04	Feedback Level	-63 – +63	(1 – 127)	
06-09: То же, что и для выделенных серым параметров в таблице DELAY L, C, R на стр. 27.				
10	Dry / Wet Balance	D63>W – D=W – D<W63	(1 – 127)	3
11	Stage	3 – 11	(3 – 11)	
13	LFO Phase Difference	-180deg – +180deg	(4 – 124)	

VINTAGE STEREO PHASER 1 – 2

№	Параметр	Диапазон	Значение	№ таблицы
01	Speed	0.100Hz – 10.00Hz	(0 – 252)	23
02	Manual	0 – 127	(0 – 127)	
03	Depth	0 – 127	(0 – 127)	
04	Feedback	0 – 127	(0 – 127)	
05	Stage	4, 6, 8, 10	(0 – 3)	
06	Mode	1, 2	(0 – 1)	
07	Color	0 – 127	(0 – 127)	
08	Spread	0 – 127	(0 – 127)	

Параметр Color недоступен при следующих обстоятельствах: если для Mode выбран вариант 1, а для Stage выбран вариант 4, 6 или 8 или если для Mode выбран вариант 2, а для Stage выбран вариант 4 или 10.

VINTAGE MONO PHASER 1 – 2

№	Параметр	Диапазон	Значение	№ таблицы	
01	Speed	0.100Hz – 10.00Hz	(0 – 252)	23	
02	Manual	0 – 127	(0 – 127)		
03	Depth	0 – 127	(0 – 127)		
04	Feedback	0 – 127	(0 – 127)		
05	Stage	4, 6, 8, 10, 12, 16	(0 – 5)	3	
06	Mode	1, 2	(0 – 1)		
07	Color	0 – 127	(0 – 127)		
13	EQ Low Frequency	32Hz – 2.0kHz	(4 – 40)		
14	EQ Low Gain	-12dB – +12dB	(52 – 76)		
15	EQ High Frequency	500Hz – 16.0kHz	(28 – 58)		3
16	EQ High Gain	-12dB – +12dB	(52 – 76)		

Параметр Color недоступен при следующих обстоятельствах: если для Mode выбран вариант 1, а для Stage выбран вариант 4, 6, 12 или 16 или если для Mode выбран вариант 2, а для Stage выбран вариант 4 или 10.

TEMPO PHASER

№	Параметр	Диапазон	Значение	№ таблицы
01	LFO Speed	16th – 4thx8	(5 – 21)	14
02	LFO Depth	0 – 127	(0 – 127)	
03	Phase Shift Offset	0 – 127	(0 – 127)	
04	Feedback Level	-63 – +63	(1 – 127)	
05	LFO Phase Reset	off (free run), KeyOnReset, SEQ Start Reset	(0 – 2)	
06	EQ Low Frequency	32Hz – 2.0kHz	(4 – 40)	3
07	EQ Low Gain	-12dB – +12dB	(52 – 76)	
08	EQ High Frequency	500Hz – 16.0kHz	(28 – 58)	3
09	EQ High Gain	-12dB – +12dB	(52 – 76)	
10	Dry / Wet Balance	D63>W – D=W – D<W63	(1 – 127)	3
11	Stage	3 – 11	(3 – 11)	
13	LFO Phase Difference	-180deg – +180deg	(4 – 124)	

DYNAMIC PHASER

№	Параметр	Диапазон	Значение	№ таблицы	
01	Sensitivity	0 – 127	(0 – 127)	17	
02	Dyna Level Offset	0 – 127	(0 – 127)		
03	Feedback Level	-63 – +63	(1 – 127)		
04	Attack Time	0.3ms – 227ms	(0 – 127)		
05	Release Time	2.6ms – 2171ms	(0 – 127)		18
06	Release Curve	0 – 127	(0 – 127)		
07	Direction	up, down	(0 – 1)		
08	Dyna Threshold Level	0 – 127	(0 – 127)		
10	Dry / Wet Balance	D63>W – D=W – D<W63	(1 – 127)		3
11	Stage	4, 5, 6	(4 – 6)		
13	EQ Low Frequency	32Hz – 2.0kHz	(4 – 40)		
14	EQ Low Gain	-12dB – +12dB	(52 – 76)		
15	EQ High Frequency	500Hz – 16.0kHz	(28 – 58)	3	
16	EQ High Gain	-12dB – +12dB	(52 – 76)		

TREMOLO

№	Параметр	Диапазон	Значение	№ таблицы
01	LFO Speed	0.0Hz – 39.70Hz	(0 – 127)	1
02	AM Depth	0 – 127	(0 – 127)	
03	PM Depth	0 – 127	(0 – 127)	
06-09: То же, что и для выделенных серым параметров в таблице DELAY L, C, R на стр. 27.				
11	EQ Mid Frequency	100Hz – 10.0kHz	(14 – 54)	3
12	EQ Mid Gain	-12dB – +12dB	(52 – 76)	
13	EQ Mid Width	0.1 – 12.0	(1 – 120)	
14	LFO Phase Difference	-180deg – +180deg	(4 – 124)	
15	Input Mode	mono/stereo	(0 – 1)	

AUTO PAN

№	Параметр	Диапазон	Значение	№ таблицы
01	LFO Speed	0.0Hz – 39.70Hz	(0 – 127)	1
02	L/R Depth	0 – 127	(0 – 127)	
03	F/R Depth	0 – 127	(0 – 127)	
04	PAN Direction	L<>R, L>>R, L<<R, Lturn, Rturn, L/R	(0 – 5)	
06-09: То же, что и для выделенных серым параметров в таблице DELAY L, C, R на стр. 27.				
11	EQ Mid Frequency	100Hz – 10.0kHz	(14 – 54)	3
12	EQ Mid Gain	-12dB – +12dB	(52 – 76)	
13	EQ Mid Width	0.1 – 12.0	(1 – 120)	

AUTO PAN2

№	Параметр	Диапазон	Значение	№ таблицы
01	LFO Speed	0.0Hz – 39.70Hz	(0 – 127)	1
02	L/R Depth	0 – 127	(0 – 127)	
03	F/R Depth	0 – 127	(0 – 127)	
04	PAN direction	L<>R, L>>R, L<<R, Lturn, Rturn, L/R	(0 – 5)	
02	LFO Wave	0 – 28	(0 – 28)	3
06	EQ Low Frequency	32Hz – 2.0kHz	(4 – 40)	
07	EQ Low Gain	-12dB – +12dB	(52 – 76)	
08	EQ High Frequency	500Hz – 16.0kHz	(28 – 58)	3
09	EQ High Gain	-12dB – +12dB	(52 – 76)	
11	EQ Mid Frequency	100Hz – 10.0kHz	(14 – 54)	3
12	EQ Mid Gain	-12dB – +12dB	(52 – 76)	
13	EQ Mid Width	0.1 – 12.0	(1 – 120)	
15	Input Mode	Mono/Stereo	(0 – 1)	

ROTARY SPEAKER

№	Параметр	Диапазон	Значение	№ таблицы
01	LFO Speed	0.0Hz – 39.70Hz	(0 – 127)	1
02	LFO Depth	0 – 127	(0 – 127)	
06-09: То же, что и для выделенных серым параметров в таблице DELAY L, C, R на стр. 27.				
10	Dry / Wet Balance	D63>W – D=W – D<W63	(1 – 127)	3
11	EQ Mid Frequency	100Hz – 10.0kHz	(14 – 54)	
12	EQ Mid Gain	-12dB – +12dB	(52 – 76)	
13	EQ Mid Width	0.1 – 12.0	(1 – 120)	

**DISTORTION+ROTARY SPEAKER
OVERDRIVE+ROTARY SPEAKER**

№	Параметр	Диапазон	Значение	№ таблицы
01	LFO Speed	0.0Hz – 39.70Hz	(0 – 127)	1
02	LFO Depth	0 – 127	(0 – 127)	
06	EQ Low Frequency	32Hz – 2.0kHz	(4 – 40)	3
07	EQ Low Gain	-12dB – +12dB	(52 – 76)	
08	EQ High Frequency	500Hz – 16.0kHz	(28 – 58)	3
09	EQ High Gain	-12dB – +12dB	(52 – 76)	
14	Dist. Drive	0 – 127	(0 – 127)	3
15	Dist. LPF Cutoff Freq	1.0kHz – 20.0kHz	(34 – 60)	
16	Dist. Output Level	0 – 127	(0 – 127)	

AMP SIMULATOR+ROTARY SPEAKER

№	Параметр	Диапазон	Значение	№ таблицы
01	LFO Speed	0.0Hz – 39.70Hz	(0 – 127)	1
02	LFO Depth	0 – 127	(0 – 127)	
03	AMP Type	off, stack, combo, tube	(0 – 3)	3
06	EQ Low Frequency	32Hz – 2.0kHz	(4 – 40)	
07	EQ Low Gain	-12dB – +12dB	(52 – 76)	
08	EQ High Frequency	500Hz – 16.0kHz	(28 – 58)	3
09	EQ High Gain	-12dB – +12dB	(52 – 76)	
14	AMP Drive	0 – 127	(0 – 127)	3
15	AMP LPF Cutoff Freq	1.0kHz – 20.0kHz	(34 – 60)	
16	AMP Output Level	0 – 127	(0 – 127)	

2WAY ROTARY SPEAKER

№	Параметр	Диапазон	Значение	№ таблицы
01	Rotor Speed	0.0Hz – 39.70Hz	(0 – 127)	1
02	Drive Low	0 – 127	(0 – 127)	
03	Drive High	0 – 127	(0 – 127)	
04	Low / High Balance	L63>H – L=H – L<H63	(1 – 127)	
06-09: То же, что и для выделенных серым параметров в таблице DELAY L, C, R на стр. 27.				
11	Divide Frequency	100Hz – 10.0kHz	(14 – 54)	3
12	Mic L-R Angle	0deg – 180deg	(0 – 60)	

**DISTORTION+2WAY ROTARY SPEAKER
OVERDRIVE+2WAY ROTARY SPEAKER**

№	Параметр	Диапазон	Значение	№ таблицы
01	Rotor Speed	0.0Hz – 39.70Hz	(0 – 127)	1
02	Drive Low	0 – 127	(0 – 127)	
03	Drive High	0 – 127	(0 – 127)	
04	Low/High Balance	L63>H – L=H – L<H63	(1 – 127)	
06	EQ Low Frequency	32Hz – 2.0kHz	(4 – 40)	3
07	EQ Low Gain	-12dB – +12dB	(52 – 76)	
08	EQ High Frequency	500Hz – 16.0kHz	(28 – 58)	3
09	EQ High Gain	-12dB – +12dB	(52 – 76)	
11	Divide Frequency	100Hz – 10.0kHz	(14 – 54)	3
12	Mic L-R Angle	0deg – 180deg	(0 – 60)	
14	Dist. Drive	0 – 127	(0 – 127)	
15	Dist. LPF Cutoff Freq	1.0kHz – 20.0kHz	(34 – 60)	3
16	Dist. Output Level	0 – 127	(0 – 127)	

AMP SIM.+2WAY ROTARY SPEAKER

№	Параметр	Диапазон	Значение	№ таблицы
01	Rotor Speed	0.0Hz – 39.70Hz	(0 – 127)	1
02	Drive Low	0 – 127	(0 – 127)	
03	Drive High	0 – 127	(0 – 127)	
04	Low/High Balance	L63>H – L=H – L<H63	(1 – 127)	
06	EQ Low Frequency	32Hz – 2.0kHz	(4 – 40)	3
07	EQ Low Gain	-12dB – +12dB	(52 – 76)	
08	EQ High Frequency	500Hz – 16.0kHz	(28 – 58)	3
09	EQ High Gain	-12dB – +12dB	(52 – 76)	
11	Divide Frequency	100Hz – 10.0kHz	(14 – 54)	3
12	Mic L-R Angle	0deg – 180deg	(0 – 60)	
13	AMP Type	off, stack, combo, tube	(0 – 3)	
14	AMP Drive	0 – 127	(0 – 127)	3
15	AMP LPF Cutoff Freq	1.0kHz – 20.0kHz	(34 – 60)	
16	AMP Output Level	0 – 127	(0 – 127)	

DUAL ROTOR SPEAKER 1

№	Параметр	Диапазон	Значение	№ таблицы
01	Rotor Speed Slow	0.0Hz – 2.65Hz	(0 – 63)	1
02	Horn Speed Slow	0.0Hz – 2.65Hz	(0 – 63)	
03	Rotor Speed Fast	2.69Hz – 39.70Hz	(64 – 127)	1
04	Horn Speed Fast	2.69Hz – 39.70Hz	(64 – 127)	
05	Slow-Fast Time of R	0 – 127	(0 – 127)	3
06	Slow-Fast Time of H	0 – 127	(0 – 127)	
07	Drive Low	0 – 127	(0 – 127)	3
08	Drive High	0 – 127	(0 – 127)	
09	Low/High Balance	L63>H – L=H – L<H63	(1 – 127)	3
11	EQ Low Frequency	32Hz – 2.0kHz	(4 – 40)	
12	EQ Low Gain	-12dB – +12dB	(52 – 76)	3
13	EQ High Frequency	500Hz – 16.0kHz	(28 – 58)	
14	EQ High Gain	-12dB – +12dB	(52 – 76)	3
15	Mic L-R Angle	0deg – 180deg	(0 – 60)	
16	Speed Control	slow, fast	(0 – 1)	

DUAL ROTOR SPEAKER 2

№	Параметр	Диапазон	Значение	№ таблицы
01	Rotor Speed Slow	0.0Hz – 2.65Hz	(0 – 63)	1
02	Horn Speed Slow	0.0Hz – 2.65Hz	(0 – 63)	
03	Rotor Speed Fast	2.69Hz – 39.70Hz	(64 – 127)	1
04	Horn Speed Fast	2.69Hz – 39.70Hz	(64 – 127)	
05	Slow-Fast Time of R	0 – 127	(0 – 127)	3
06	Slow-Fast Time of H	0 – 127	(0 – 127)	
07	Drive Low	0 – 127	(0 – 127)	3
08	Drive High	0 – 127	(0 – 127)	
09	Low/High Balance	L63>H – L=H – L<H63	(1 – 127)	3
11	EQ Low Frequency	32Hz – 2.0kHz	(4 – 40)	
12	EQ Low Gain	-12dB – +12dB	(52 – 76)	3
13	EQ High Frequency	500Hz – 16.0kHz	(28 – 58)	
14	EQ High Gain	-12dB – +12dB	(52 – 76)	3
15	Mic L-R Angle	0deg – 180deg	(0 – 60)	
16	Speed Control	slow, fast	(0 – 1)	

DUAL ROTOR SPEAKER 3

№	Параметр	Диапазон	Значение	№ таблицы
01	Rotor Speed Slow	0.0Hz – 2.65Hz	(0 – 63)	1
02	Horn Speed Slow	0.0Hz – 2.65Hz	(0 – 63)	1
03	Rotor Speed Fast	2.69Hz – 39.70Hz	(64 – 127)	1
04	Horn Speed Fast	2.69Hz – 39.70Hz	(64 – 127)	1
05	Slow-Fast Time of R	0 – 127	(0 – 127)	
06	Slow-Fast Time of H	0 – 127	(0 – 127)	
07	Drive Low	0 – 127	(0 – 127)	
08	Drive High	0 – 127	(0 – 127)	
09	Low/High Balance	L63>H – L=H – L<H63	(1 – 127)	
11	EQ Low Frequency	32Hz – 2.0kHz	(4 – 40)	3
12	EQ Low Gain	-12dB – +12dB	(52 – 76)	
13	EQ High Frequency	500Hz – 16.0kHz	(28 – 58)	3
14	EQ High Gain	-12dB – +12dB	(52 – 76)	
15	Mic L-R Angle	0deg – 180deg	(0 – 60)	
16	Speed Control	slow, fast	(0 – 1)	

DISTORTION OVERDRIVE

№	Параметр	Диапазон	Значение	№ таблицы
01	Drive	0 – 127	(0 – 127)	
02	EQ Low Frequency	32Hz – 2.0kHz	(4 – 40)	3
03	EQ Low Gain	-12dB – +12dB	(52 – 76)	
04	LPF Cutoff Frequency	1.0kHz – 20.0kHz	(34 – 60)	3
05	Output Level	0 – 127	(0 – 127)	
07	EQ Mid Frequency	100Hz – 10.0kHz	(14 – 54)	3
08	EQ Mid Gain	-12dB – +12dB	(52 – 76)	
09	EQ Mid Width	0.1 – 12.0	(1 – 120)	
10	Dry / Wet Balance	D63>W – D=W – D<W63	(1 – 127)	
11	Edge	0 – 127	(0 – 127)	

COMP DISTORTION

№	Параметр	Диапазон	Значение	№ таблицы
01	Drive	0 – 127	(0 – 127)	
02	EQ Low Frequency	32Hz – 2.0kHz	(4 – 40)	3
03	EQ Low Gain	-12dB – +12dB	(52 – 76)	
04	LPF Cutoff Frequency	1.0kHz – 20.0kHz	(34 – 60)	3
05	Output Level	0 – 127	(0 – 127)	
07	EQ Mid Frequency	100Hz – 10.0kHz	(14 – 54)	3
08	EQ Mid Gain	-12dB – +12dB	(52 – 76)	
09	EQ Mid Width	0.1 – 12.0	(1 – 120)	
10	Dry / Wet Balance	D63>W – D=W – D<W63	(1 – 127)	
11	Edge	0 – 127	(0 – 127)	
12	Attack	1ms – 40ms	(0 – 19)	8
13	Release	10ms – 680ms	(0 – 15)	9
14	Threshold	-48dB – -6dB	(79 – 121)	
15	Ratio	1 – 20.0	(0 – 7)	10

V-DISTORTION

№	Параметр	Диапазон	Значение	№ таблицы
01	Over Drive	0 – 100%	(0 – 100)	
02	Device	Transistor, Vintage Tube, Distortion 1, Distortion 2, Fuzz	(0 – 4)	
03	Speaker Type	Flat, Stack, Combo, Twin, Radio, Megaphone	(0 – 5)	
04	Presence	-10 – 10	(0 – 20)	
05	Output Level	0 – 100%	(0 – 100)	
06	Delay Time L	0.1ms – 1638.3ms	(1 – 16383)	
07	Delay Time R	0.1ms – 1638.3ms	(1 – 16383)	
08	Feedback Time	0.1ms – 1638.3ms	(1 – 16383)	
09	Feedback Level	-63 – +63	(1 – 127)	
10	Dry/Wet Balance	D63>W – D=W – D<W63	(1 – 127)	
11	Delay Mix	0 – 127	(0 – 127)	
12	Feedback High Damp	0.1 – 1.0	(1 – 10)	

AMP SIMULATOR

№	Параметр	Диапазон	Значение	№ таблицы
01	Drive	0 – 127	(0 – 127)	
02	AMP Type	off, stack, combo, tube	(0 – 3)	
03	LPF Cutoff Frequency	1.0kHz – 20.0kHz	(34 – 60)	3
04	Output Level	0 – 127	(0 – 127)	
10	Dry / Wet Balance	D63>W – D=W – D<W63	(1 – 127)	
11	Edge	0 – 127	(0 – 127)	

AMP SIMULATOR2

№	Параметр	Диапазон	Значение	№ таблицы
01	Drive	0 – 127	(0 – 127)	
02	AMP type	off, stack, combo, tube, crunch, hi Gain, british	(0 – 6)	
03	LPF Cutoff Frequency	1.0kHz – 20.0kHz	(34 – 60)	3
04	Output Level	0 – 127	(0 – 127)	
10	Dry / Wet Balance	D63>W – D=W – D<W63	(1 – 127)	

DIST+DELAY OVERDRIVE+DELAY

№	Параметр	Диапазон	Значение	№ таблицы
01	Delay Time L	0.1ms – 1638.3ms	(1 – 16383)	
02	Delay Time R	0.1ms – 1638.3ms	(1 – 16383)	
03	Delay Feedback Time	0.1ms – 1638.3ms	(1 – 16383)	
04	Delay Feedback Level	-63 – +63	(1 – 127)	
05	Delay mix	0 – 127	(0 – 127)	
06	Dist. Drive	0 – 127	(0 – 127)	
07	Dist Output Level	0 – 127	(0 – 127)	
08	Dist. EQ Low Gain	-12dB – +12dB	(52 – 76)	
09	Dist. EQ Mid Gain	-12dB – +12dB	(52 – 76)	
10	Dry / Wet Balance	D63>W – D=W – D<W63	(1 – 127)	

COMPRESSOR

№	Параметр	Диапазон	Значение	№ таблицы
01	Attack	1ms – 40ms	(0 – 19)	8
02	Release	10ms – 680ms	(0 – 15)	9
03	Threshold	-48dB – -6dB	(79 – 121)	
04	Ratio	1 – 20.0	(0 – 7)	10
05	Output Level	0 – 127	(0 – 127)	

NOISE GATE

№	Параметр	Диапазон	Значение	№ таблицы
01	Attack	1ms – 40ms	(0 – 19)	8
02	Release	10ms – 680ms	(0 – 15)	9
03	Threshold	-72dB – -30dB	(55 – 97)	
04	Output Level	0 – 127	(0 – 127)	

COMP+DIST+DELAY COMP+ODRV+DELAY

№	Параметр	Диапазон	Значение	№ таблицы
01	Delay Time	0.1ms – 1638.3ms	(1 – 16383)	
02	Delay Feedback Level	-63 – +63	(1 – 127)	
03	Delay Mix	0 – 127	(0 – 127)	
04	Dist. Drive	0 – 127	(0 – 127)	
05	Dist Output Level	0 – 127	(0 – 127)	
06	Dist. EQ Low Gain	-12dB – +12dB	(52 – 76)	
07	Dist. EQ Mid Gain	-12dB – +12dB	(52 – 76)	
10	Dry / Wet Balance	D63>W – D=W – D<W63	(1 – 127)	
11	Comp. Attack	1ms – 40ms	(0 – 19)	8
12	Comp. Release	10ms – 680ms	(0 – 15)	9
13	Comp. Threshold	-48dB – -6dB	(79 – 121)	
14	Comp. Ratio	1 – 20.0	(0 – 7)	10

MULTI BAND COMP 1

№	Параметр	Диапазон	Значение	№ таблицы
1	Type	Normal, Low, Mid, High, Low/High, Low/Mid, Mid/High, Full Bit, Wild, Attack, Low End, Hard, Basic	(0 – 12)	
2	Threshold Offset	-32 – +32	(32 – 96)	
3	Low Gain Offset	-63 – +63	(1 – 127)	
4	Mid Gain Offset	-63 – +63	(1 – 127)	
5	High Gain Offset	-63 – +63	(1 – 127)	

MULTI BAND COMP 2

№	Параметр	Диапазон	Значение	№ таблицы
1	Low Attack	1ms – 200ms	(0 – 29)	8
2	Low Release	10ms – 3000ms	(0 – 23)	9
3	Low Threshold	-54dB – -6dB	(73 – 121)	
4	Low Ratio	1 – 20.0	(0 – 7)	10
5	Low Gain	-∞ – +18dB	(0 – 55)	15
6	Mid Attack	1ms – 200ms	(0 – 29)	8
7	Mid Release	10ms – 3000ms	(0 – 23)	9
8	Mid Threshold	-54dB – -6dB	(73 – 121)	
9	Mid Ratio	1 – 20.0	(0 – 7)	10
10	Mid Gain	-∞ – +18dB	(0 – 55)	15
11	High Attack	1ms – 200ms	(0 – 29)	8
12	High Release	10ms – 3000ms	(0 – 23)	9
13	High Threshold	-54dB – -6dB	(73 – 121)	
14	High Ratio	1 – 20.0	(0 – 7)	10
15	High Gain	-∞ – +18dB	(0 – 55)	15
16	Divide Freq	0 – 89	(0 – 89)	16

**PITCH CHANGE1
PITCH CHANGE2**

№	Параметр	Диапазон	Значение	№ таблицы
01	Pitch	-24 – +24	(40 – 88)	
02	Initial Delay	0.1ms – 400.0ms	(0 – 127)	7
03	Fine1	-50 – +50	(14 – 114)	
04	Fine2	-50 – +50	(14 – 114)	
05	Feedback Level	-63 – +63	(1 – 127)	
10	Dry / Wet Balance	D63>W – D=W – D<W63	(1 – 127)	
11	PAN1	L63 – C – R63	(1 – 127)	
12	Output Level1	0 – 127	(0 – 127)	
13	PAN2	L63 – C – R63	(1 – 127)	
14	Output Level2	0 – 127	(0 – 127)	

Значения 03 (Fine 1) и 04 (Fine 2) для PITCH CHANGE2 выражаются в центах.

AUTO WAH

№	Параметр	Диапазон	Значение	№ таблицы
01	LFO Speed	0.0Hz – 39.70Hz	(0 – 127)	1
02	LFO Depth	0 – 127	(0 – 127)	
03	Cutoff Frequency Offset	0 – 127	(0 – 127)	
04	Resonance	1 – 12.0	(10 – 120)	

06-09: То же, что и для выделенных серым параметров в таблице DELAY L, C, R на стр. 27.

10	Dry / Wet Balance	D63>W – D=W – D<W63	(1 – 127)	
----	-------------------	---------------------	-----------	--

**AUTO WAH DISTORTION
AUTO WAH OVERDRIVE**

№	Параметр	Диапазон	Значение	№ таблицы
01	LFO Speed	0.0Hz – 39.70Hz	(0 – 127)	1
02	LFO Depth	0 – 127	(0 – 127)	
03	Cutoff Frequency Offset	0 – 127	(0 – 127)	
04	Resonance	1 – 12.0	(10 – 120)	

06-09: То же, что и для выделенных серым параметров в таблице DELAY L, C, R на стр. 27.

10	Dry / Wet Balance	D63>W – D=W – D<W63	(1 – 127)	
11	Drive	0 – 127	(0 – 127)	
12	Dist Low Gain	-12dB – +12dB	(52 – 76)	
13	Dist Mid Gain	-12dB – +12dB	(52 – 76)	
14	LPF Cutoff Frequency	1.0kHz – 20.0kHz	(34 – 60)	3
15	Output Level	0 – 127	(0 – 127)	

VINTAGE AUTO WAH 1 – 2

№	Параметр	Диапазон	Значение	№ таблицы
01	Speed	0.100Hz – 20.00Hz	(0 – 254)	24
02	Bottom	0 – 127	(0 – 127)	
03	Top	0 – 127	(0 – 127)	
04	Resonance Offset	-12.0 – +12.0	(40 – 88)	
05	LFO Wave	Sin, Trp	(0 – 1)	
06	Type	High, Mid, Low, Bass	(0 – 3)	
07	OverDrive	0.0dB – +40.0dB	(0 – 80)	
08	Output	-20.0dB – +10.0dB	(24 – 84)	
13	EQ Low Frequency	32Hz – 2.0kHz	(4 – 40)	3
14	EQ Low Gain	-12dB – +12dB	(52 – 76)	
15	EQ High Frequency	500Hz – 16.0kHz	(28 – 58)	3
16	EQ High Gain	-12dB – +12dB	(52 – 76)	

Если значение Bottom превышает значение Top, звук будет модулироваться, и доступно только значение Bottom.

TOUCH WAH

№	Параметр	Диапазон	Значение	№ таблицы
01	Sensitivity	0 – 127	(0 – 127)	
02	Cutoff Frequency Offset	0 – 127	(0 – 127)	
03	Resonance	1 – 12.0	(10 – 120)	

06-09: То же, что и для выделенных серым параметров в таблице DELAY L, C, R на стр. 27.

10	Dry / Wet Balance	D63>W – D=W – D<W63	(1 – 127)	
----	-------------------	---------------------	-----------	--

**TOUCH WAH+DISTORTION
TOUCH WAH+OVERDRIVE**

№	Параметр	Диапазон	Значение	№ таблицы
01	Sensitivity	0 – 127	(0 – 127)	
02	Cutoff Frequency Offset	0 – 127	(0 – 127)	
03	Resonance	1 – 12.0	(10 – 120)	

06-09: То же, что и для выделенных серым параметров в таблице DELAY L, C, R на стр. 27.

10	Dry / Wet Balance	D63>W – D=W – D<W63	(1 – 127)	
11	Drive	0 – 127	(0 – 127)	
12	Dist Low Gain	-12dB – +12dB	(52 – 76)	
13	Dist Mid Gain	-12dB – +12dB	(52 – 76)	
14	LPF Cutoff Frequency	1.0kHz – 20.0kHz	(34 – 60)	3
15	Output Level	0 – 127	(0 – 127)	

VINTAGE TOUCH WAH 1 – 2

№	Параметр	Диапазон	Значение	№ таблицы
01	Sensitivity	0 – 127	(0 – 127)	
02	Bottom	0 – 127	(0 – 127)	
03	Top	0 – 127	(0 – 127)	
04	Resonance Offset	-12.0 – +12.0	(40 – 88)	
05	Direction	up, down	(0 – 1)	
06	Type	High, Mid, Low, Bass	(0 – 3)	
07	OverDrive	0.0dB – +40.0dB	(0 – 80)	
08	Output	-20.0dB – +10.0dB	(24 – 84)	
11	Attack Offset	-5 – +5	(59 – 69)	
13	EQ Low Frequency	32Hz – 2.0kHz	(4 – 40)	3
14	EQ Low Gain	-12dB – +12dB	(52 – 76)	
15	EQ High Frequency	500Hz – 16.0kHz	(28 – 58)	3
16	EQ High Gain	-12dB – +12dB	(52 – 76)	

Если значение Bottom превышает значение Top, звук будет модулироваться, и доступно только значение Bottom.

**WAH+DIST+DELAY
WAH+OVERDRIVE+DELAY**

№	Параметр	Диапазон	Значение	№ таблицы
01	Delay Time	0.1ms – 1638.3ms	(1 – 16383)	
02	Delay Feedback Level	-63 – +63	(1 – 127)	
03	Delay mix	0 – 127	(0 – 127)	
04	Dist Drive	0 – 127	(0 – 127)	
05	Dist Output Level	0 – 127	(0 – 127)	
06	Dist EQ Low Gain	-12dB – +12dB	(52 – 76)	
07	Dist EQ Mid Gain	-12dB – +12dB	(52 – 76)	
10	Dry / Wet Balance	D63>W – D=W – D<W63	(1 – 127)	
11	Wah Sensitivity	0 – 127	(0 – 127)	
12	Wah Cutoff Frequency	0 – 127	(0 – 127)	
13	Wah Resonance	1 – 12.0	(10 – 120)	
14	Wah Release	10ms – 680ms	(52 – 67)	12

LO-FI

№	Параметр	Диапазон	Значение	№ таблицы
01	Sampling Freq Control	44.1kHz – 344Hz	(0 – 127)	13
02	Word Length	1 – 127	(1 – 127)	
03	Output Gain	-6dB – +36dB	(0 – 42)	
04	Pre-LPF Cutoff Frequency	63Hz – 20.0kHz	(10 – 60)	3
05	Filter Type	thru, Power Bass, Radio, Telephone, Clean, Low	(0 – 5)	
06	Pre-LPF Resonance	1 – 12.0	(10 – 120)	
07	Bit Assign	0 – 6	(0 – 6)	
08	Emphasis	off/on	(0 – 1)	
10	Dry / Wet Balance	D63>W – D=W – D<W63	(1 – 127)	
15	Input Mode	mono/stereo	(0 – 1)	

LOW RESOLUTION

№	Параметр	Диапазон	Значение	№ таблицы
01	Mod Depth	0 – 127	(0 – 127)	
02	Mod Delay Offset	1 – 127	(1 – 127)	
03	Mod Feedback	-63 – +63	(1 – 127)	
04	Resolution	1, 1/2 – 1/128	(0 – 7)	
05	Mod Mix Balance	0 – 127	(0 – 127)	
06	Phase Inverse R	off, wet, wet+dry	(0 – 2)	
10	Dry/Wet Balance	D63>W – D=W – D<W63	(1 – 127)	

NOISY

№	Параметр	Диапазон	Значение	№ таблицы
01	Mod Depth	0 – 10	(0 – 10)	
02	Mod Speed	0 – 127	(0 – 127)	
03	Mod Feedback	-63 – +63	(1 – 127)	
04	Mod Mix Balance	1 – 127	(1 – 127)	
05	Drive	0 – 127	(0 – 127)	
06	AM Speed	0.00Hz – 39.7Hz	(0 – 127)	1
07	AM Depth	0 – 127	(0 – 127)	
08	LPF Frequency	1.0kHz – 20.0kHz	(34 – 60)	3
09	LPF Resonance	1.0 – 12.0	(10 – 120)	
10	Dry / Wet Balance	D63>W – D=W – D<W63	(1 – 127)	
11	EQ Frequency	100Hz – 10.0kHz	(14 – 54)	3
12	EQ Gain	-12 – +12dB	(52 – 76)	
13	EQ Width	1.0 – 12.0	(10 – 120)	

ATTACK LO-FI

№	Параметр	Диапазон	Значение	№ таблицы
01	Sensitivity	0 – 127	(0 – 127)	
02	Resolution	1, 1/2 – 1/32	(0 – 5)	
03	Peak Frequency	100Hz – 10.0kHz	(14 – 54)	3
04	LPF Frequency	1.0kHz – 20.0kHz	(34 – 60)	3
05	Flanger Speed	0.00Hz – 39.7Hz	(0 – 127)	1
06	Flanger LFO Wave	tri, sine, saw up, saw down	(0 – 3)	
07	Flanger Depth	0 – 127	(0 – 127)	
08	Flg Depth Ofst R	-63 – +63	(1 – 127)	
09	Flg Mix Balance	1 – 127	(1 – 127)	
10	Dry/Wet Balance	D63>W – D=W – D<W63	(1 – 127)	
11	Flanger Delay	0.1 – 650.0ms	(1 – 6500)	
12	Flg Delay Ofst R	0 – 884	(0 – 884)	
13	Flanger Feedback	-63 – +63	(1 – 127)	
14	Flanger FB Ofst R	-63 – +63	(1 – 127)	
15	Flanger FB HiDamp	0.1 – 1.0	(1 – 10)	
16	FB HiDamp Ofst R	-0.9 – +0.9	(1 – 19)	

DIGITAL TURNTABLE

№	Параметр	Диапазон	Значение	№ таблицы
01	Click Density	0 – 5	(0 – 5)	
02	Click Level	0 – 127	(0 – 127)	
03	Noise Tone	0 – 6	(0 – 6)	
04	Noise Mod Speed	0.00Hz – 39.7Hz	(0 – 127)	1
05	Noise Mod Depth	0 – 127	(0 – 127)	
06	Dry Send to Noise	0 – 127	(0 – 127)	
07	Noise LPF Freq	1.0kHz – 20.0kHz	(34 – 60)	3
08	Noise LPF Q	1.0 – 12.0	(10 – 120)	
09	Noise Level	0 – 127	(0 – 127)	
11	Dry Level	0 – 127	(0 – 127)	
12	Dry LPF Frequency	1.0kHz – 20.0kHz	(34 – 60)	3

DIGITAL SCRATCH

№	Параметр	Диапазон	Значение	№ таблицы
01	Input Level	0 – 127	(0 – 127)	
02	Initial Delay	0.1 – 460.0ms	(1 – 4600)	
03	Scratch Speed	1 – 127	(1 – 127)	
04	Scratch Depth	0 – 127	(0 – 127)	
05	Auto Pan Speed	0.00Hz – 39.7Hz	(0 – 127)	1
06	Auto Pan Depth	0 – 127	(0 – 127)	
07	EQ Frequency	100Hz – 10.0kHz	(14 – 54)	3
08	EQ Gain	-12 – +12dB	(52 – 76)	
09	EQ Width	1.0 – 12.0	(10 – 120)	
10	Dry / Wet Balance	D63>W – D=W – D<W63	(1 – 127)	
11	HPF Frequency	20Hz – 8.0kHz	(0 – 52)	3

AUTO SYNTH

№	Параметр	Диапазон	Значение	№ таблицы
01	Mod Speed	0 – 127	(0 – 127)	
02	Mod Wave Type	typeA, typeB, typeC, typeD	(0 – 3)	
03	Mod Depth	0 – 127	(0 – 127)	
04	Mod Depth Ofst R	-63 – +63	(1 – 127)	
05	HPF Frequency	20Hz – 8.0kHz	(0 – 52)	3
06	LPF Frequency	1.0kHz – 20.0kHz	(34 – 60)	3
07	Delay Time	0.1 – 370.0ms	(1 – 3700)	
08	Delay Time Ofst R	0 – 884	(0 – 884)	
09	Delay Level	0 – 127	(0 – 127)	
10	Dry Mix Level	0 – 127	(0 – 127)	
11	Feedback Level	-63 – +63	(1 – 127)	
12	FB Level Ofst R	-63 – +63	(1 – 127)	
13	AM Speed	0.00Hz – 39.7Hz	(0 – 127)	1
14	AM Wave	tri, sine, saw up, saw down	(0 – 3)	
15	AM Depth	0 – 127	(0 – 127)	
16	AM Inverse R	normal, inverse	(0 – 1)	

TECH MODULATION

№	Параметр	Диапазон	Значение	№ таблицы
01	Mod Speed	0 – 127	(0 – 127)	
02	Mod Depth	0 – 127	(0 – 127)	
03	Mod Gain	-12 – +12dB	(52 – 76)	
04	Mod Mix Balance	D63>W – D=W – D<W63	(1 – 127)	
05	Pre Mod HPF Freq	20Hz – 8.0kHz	(0 – 52)	3
06	Mod LPF Frequency	1.0kHz – 20.0kHz	(34 – 60)	3
07	Mod LPF Resonance	1.0 – 12.0	(10 – 120)	
08	Delay Time	0.1 – 740.0ms	(1 – 7400)	
09	Delay Time Ofst R	0 – 884	(0 – 884)	
10	Dry/Wet Balance	D63>W – D=W – D<W63	(1 – 127)	
11	Feedback Level	-63 – +63	(1 – 127)	
12	FB Level Ofst R	-63 – +63	(1 – 127)	
13	Feedback Hi Damp	0.1 – 1.0	(1 – 10)	
14	FB Hi Damp Ofst R	-0.9 – +0.9	(1 – 19)	

JUMP

№	Параметр	Диапазон	Значение	№ таблицы
01	Depth	0 – 127	(0 – 127)	
02	Speed	0 – 127	(0 – 127)	
03	Direction	L<>R, L>>R	(0 – 1)	
04	Type	typeA, typeB, typeC	(0 – 2)	
05	Jump Wave Type	typeA, typeB, typeC, typeD	(0 – 3)	
06	Resolution	1, 1/2 – 1/256	(0 – 8)	
07	HPF Frequency	20Hz – 8.0kHz	(0 – 52)	3
08	LPF Frequency	1.0kHz – 20.0kHz	(34 – 60)	3
10	Dry / Wet Balance	D63>W – D=W – D<W63	(1 – 127)	

ISOLATOR

№	Параметр	Диапазон	Значение	№ таблицы
01	On/off SW	on, off	(0 – 1)	
02	Low Level	-64 – +63	(0 – 127)	
03	Mid Level	-64 – +63	(0 – 127)	
04	High Level	-64 – +63	(0 – 127)	
05	Low Mute	off/on	(0 – 1)	
06	Mid Mute	off/on	(0 – 1)	
07	High Mute	off/on	(0 – 1)	

SLICE

№	Параметр	Диапазон	Значение	№ таблицы
01	Divide Type	16th – 4th	(5 – 11)	14
02	Gate Time	0 – 100%	(0 – 100)	
03	Pan Aeg Type	A – E	(0 – 4)	
04	Pan Aeg Min Level	0 – 127	(0 – 127)	
05	Pan Depth	-63 – +63	(1 – 127)	
06	Divide Min Level	0 – 127	(0 – 127)	
07	Pan Type	A – J	(0 – 9)	
08	Drive	0 – 127	(0 – 127)	
09	AEG Phase	0 – 15 (x16th note)	(0 – 15)	
10	Dry/Wet Balance	D63>W – D=W – D<W63	(1 – 127)	
12	Set Slice Tempo	---	---	
13	EQ Low Frequency	32Hz – 2.0kHz	(4 – 40)	3
14	EQ Low Gain	-12dB – +12dB	(52 – 76)	
15	EQ High Frequency	500Hz – 16.0kHz	(28 – 58)	3
16	EQ High Gain	-12dB – +12dB	(52 – 76)	

3BAND EQ

№	Параметр	Диапазон	Значение	№ таблицы
01	EQ Low Gain	-12dB – +12dB	(52 – 76)	3
02	EQ Mid Frequency	100Hz – 16.0kHz	(14 – 58)	
03	EQ Mid Gain	-12dB – +12dB	(52 – 76)	
04	EQ Mid Width	0.1 – 12.0	(1 – 120)	3
05	EQ High Gain	-12dB – +12dB	(52 – 76)	
06	EQ Low Frequency	50Hz – 2.0kHz	(8 – 40)	
07	EQ High Frequency	500Hz – 16.0kHz	(28 – 58)	3
15	Input Mode	mono/stereo	(0 – 1)	

2BAND EQ

№	Параметр	Диапазон	Значение	№ таблицы
01-04:	То же, что и для выделенных серым параметров в таблице DELAY L, C, R на стр. 27.			

HARMONIC ENHANCER

№	Параметр	Диапазон	Значение	№ таблицы
01	HPF Cutoff Frequency	500Hz – 16.0kHz	(28 – 58)	3
02	Drive	0 – 127	(0 – 127)	
03	Mix Level	0 – 127	(0 – 127)	

VOICE CANCELER

№	Параметр	Диапазон	Значение	№ таблицы
11	Low Adjust	0 – 26	(0 – 26)	
12	High Adjust	0 – 26	(0 – 26)	

AMBIENCE

№	Параметр	Диапазон	Значение	№ таблицы
01	Delay Time	0.0ms – 50.0ms	(0 – 127)	2
02	Wet Output Phase	normal/inverse	(0 – 1)	
06-09:	То же, что и для выделенных серым параметров в таблице DELAY L, C, R на стр. 27.			
10	Dry / Wet Balance	D63>W – D=W – D<W63	(1 – 127)	

TALKING MODULATION

№	Параметр	Диапазон	Значение	№ таблицы
01	Vowel	a/i/u/e/o	(0 – 4)	
02	Move Speed	1 – 62	(1 – 62)	
03	Drive	0 – 127	(0 – 127)	
04	Output Level	0 – 127	(0 – 127)	

BEAT CHANGE

№	Параметр	Диапазон	Значение	№ таблицы
01	BeatChange	-63 – +63	(1 – 127)	3
02	Beat Range	0 – 12	(0 – 12)	
03	PitchChange	-63 – +63	(1 – 127)	
04	Pitch Range	0 – 12	(0 – 12)	
05	Accuracy Type	sound4 – normal – rythm4	(0 – 8)	
06	EQ Frequency	32Hz – 2.0kHz	(4 – 40)	
07	EQ Gain	-12dB – +12dB	(52 – 76)	
08	EQ Width	1.0 – 12.0	(10 – 120)	
09	Dry/Wet Balance	D63>W – D=W – D<W63	(1 – 127)	
10				

DAMPER RESONANCE

№	Параметр	Диапазон	Значение	№ таблицы
01	HPF Cutoff Frequency	20Hz – 8.0kHz	(0 – 52)	3
02	LPF Cutoff Frequency	1.0kHz – 20.0kHz	(34 – 60)	
03	EQ Low Frequency	32Hz – 2.0kHz	(4 – 40)	
04	EQ Low Gain	-12 – +12dB	(52 – 76)	3
05	Hi Resonance	0.1 – 1.0	(1 – 10)	
06	Pedal Response	slow/normal/fast	(0 – 2)	
10	Dry/Wet Balance	D63>W – D=W – D<W63	(1 – 127)	
16	Damper Control	0 – 127	(0 – 27)	

RING MODULATOR

№	Параметр	Диапазон	Значение	№ таблицы
01	OSC Freq Coarse	0.5 – 5kHz	(0 – 127)	19
02	OSC Freq Fine	0 – 127	(0 – 127)	
03	LFO Wave	tri, sine	(0 – 1)	
04	LFO Depth	0 – 127	(0 – 127)	
05	LFO Speed	0.0Hz – 39.70Hz	(0 – 127)	
06	HPF Cutoff Frequency	20Hz – 8.0kHz	(0 – 52)	
07	LPF Cutoff Frequency	1.0kHz – 20.0kHz	(34 – 60)	
10	Dry / Wet Balance	D63>W – D=W – D<W63	(1 – 127)	
13	EQ Low Frequency	32Hz – 2.0kHz	(4 – 40)	
14	EQ Low Gain	-12dB – +12dB	(52 – 76)	
15	EQ High Frequency	500Hz – 16.0kHz	(28 – 58)	
16	EQ High Gain	-12dB – +12dB	(52 – 76)	

DYNAMIC RING MODULATOR

№	Параметр	Диапазон	Значение	№ таблицы
01	Sensitivity	0 – 127	(0 – 127)	3
02	HPF Cutoff Frequency	20Hz – 8.0kHz	(0 – 52)	
03	LPF Cutoff Frequency	1.0kHz – 20.0kHz	(34 – 60)	
04	Attack Time	0.3ms – 227ms	(0 – 127)	
05	Release Time	2.6ms – 217ms	(0 – 127)	
06	Release Curve	0 – 127	(0 – 127)	
07	Direction	up, down	(0 – 1)	
08	Dyna Threshold Level	0 – 127	(0 – 127)	
09	Dyna Level Offset	0 – 127	(0 – 127)	
10	Dry / Wet Balance	D63>W – D=W – D<W63	(1 – 127)	
13	EQ Low Frequency	32Hz – 2.0kHz	(4 – 40)	
14	EQ Low Gain	-12dB – +12dB	(52 – 76)	
15	EQ High Frequency	500Hz – 16.0kHz	(28 – 58)	
16	EQ High Gain	-12dB – +12dB	(52 – 76)	

DYNAMIC FILTER

№	Параметр	Диапазон	Значение	№ таблицы
01	Filter Type	LPF (12dB), LPF (18dB), LPF (24dB), HPF, BPF, BEF	(0 – 5)	3
02	Sensitivity	0 – 127	(0 – 127)	
03	Dyna Level Offset	0 – 127	(0 – 127)	
04	Resonance	-16 – +111	(0 – 127)	
05	Attack Time	0.3ms – 227ms	(0 – 127)	
06	Release Time	2.6ms – 217ms	(0 – 127)	
07	Release Curve	0 – 127	(0 – 127)	
08	Direction	up, down	(0 – 1)	
09	Dyna Threshold Level	0 – 127	(0 – 127)	
10	Dry/Wet Balance	D63>W – D=W – D<W63	(1 – 127)	
13	EQ Low Frequency	32Hz – 2.0kHz	(4 – 40)	
14	EQ Low Gain	-12dB – +12dB	(52 – 76)	
15	EQ High Frequency	500Hz – 16.0kHz	(28 – 58)	
16	EQ High Gain	-12dB – +12dB	(52 – 76)	

Блок основных эффектов

Control Delay2 (stereo)
 LO-FI
 V-Distortion
 Isolator
 Dynamic Filter
 Slice
 Ring Modulator
 Multi Band Comp 1

Блок основных эффектов

Master EQ

№	Параметр	Диапазон	Значение	№ таблицы
01	EQ Gain1	-12dB – +12dB	(52 – 76)	
02	EQ Frequency1	32Hz – 2.0kHz	(4 – 40)	3
03	EQ Q1	0.1 – 12.0	(1 – 120)	
04	EQ Shape1	shelving, peaking	(0 – 1)	
05	EQ Gain2	-12dB – +12dB	(52 – 76)	
06	EQ Frequency2	100Hz – 10kHz	(14 – 54)	3
07	EQ Q2	0.1 – 12.0	(1 – 120)	
09	EQ Gain3	-12dB – +12dB	(52 – 76)	
10	EQ Frequency3	100Hz – 10kHz	(14 – 54)	3
11	EQ Q3	0.1 – 12.0	(1 – 120)	
13	EQ Gain4	-12dB – +12dB	(52 – 76)	
14	EQ Frequency4	100Hz – 10kHz	(14 – 54)	3
15	EQ Q4	0.1 – 12.0	(1 – 120)	
17	EQ Gain5	-12dB – +12dB	(52 – 76)	
18	EQ Frequency5	500Hz – 16kHz	(28 – 58)	3
19	EQ Q5	0.1 – 12.0	(1 – 120)	
20	EQ Shape5	shelving, peaking	(0 – 1)	

При выборе для параметра EQ Shape 1 варианта Peaking диапазон частот EQ Frequency 1 составляет 63 Гц ... 2,0 кГц (10 – 40).

Таблица назначения данных эффектам

Таблица 1

LFO Frequency

Данные	Значение	Данные	Значение
0	0.00	64	2.69
1	0.04	65	2.78
2	0.08	66	2.86
3	0.13	67	2.94
4	0.17	68	3.03
5	0.21	69	3.11
6	0.25	70	3.20
7	0.29	71	3.28
8	0.34	72	3.37
9	0.38	73	3.45
10	0.42	74	3.53
11	0.46	75	3.62
12	0.51	76	3.70
13	0.55	77	3.87
14	0.59	78	4.04
15	0.63	79	4.21
16	0.67	80	4.37
17	0.72	81	4.54
18	0.76	82	4.71
19	0.80	83	4.88
20	0.84	84	5.05
21	0.88	85	5.22
22	0.93	86	5.38
23	0.97	87	5.55
24	1.01	88	5.72
25	1.05	89	6.06
26	1.09	90	6.39
27	1.14	91	6.73
28	1.18	92	7.07
29	1.22	93	7.40
30	1.26	94	7.74
31	1.30	95	8.08
32	1.35	96	8.41
33	1.39	97	8.75
34	1.43	98	9.08
35	1.47	99	9.42
36	1.51	100	9.76
37	1.56	101	10.1
38	1.60	102	10.8
39	1.64	103	11.4
40	1.68	104	12.1
41	1.72	105	12.8
42	1.77	106	13.5
43	1.81	107	14.1
44	1.85	108	14.8
45	1.89	109	15.5
46	1.94	110	16.2
47	1.98	111	16.8
48	2.02	112	17.5
49	2.06	113	18.2
50	2.10	114	19.5
51	2.15	115	20.9
52	2.19	116	22.2
53	2.23	117	23.6
54	2.27	118	24.9
55	2.31	119	26.2
56	2.36	120	27.6
57	2.40	121	28.9
58	2.44	122	30.3
59	2.48	123	31.6
60	2.52	124	33.0
61	2.57	125	34.3
62	2.61	126	37.0
63	2.65	127	39.7

Таблица 2

Modulation Delay Offset

Данные	Значение	Данные	Значение
0	0.0	64	6.4
1	0.1	65	6.5
2	0.2	66	6.6
3	0.3	67	6.7
4	0.4	68	6.8
5	0.5	69	6.9
6	0.6	70	7.0
7	0.7	71	7.1
8	0.8	72	7.2
9	0.9	73	7.3
10	1.0	74	7.4
11	1.1	75	7.5
12	1.2	76	7.6
13	1.3	77	7.7
14	1.4	78	7.8
15	1.5	79	7.9
16	1.6	80	8.0
17	1.7	81	8.1
18	1.8	82	8.2
19	1.9	83	8.3
20	2.0	84	8.4
21	2.1	85	8.5
22	2.2	86	8.6
23	2.3	87	8.7
24	2.4	88	8.8
25	2.5	89	8.9
26	2.6	90	9.0
27	2.7	91	9.1
28	2.8	92	9.2
29	2.9	93	9.3
30	3.0	94	9.4
31	3.1	95	9.5
32	3.2	96	9.6
33	3.3	97	9.7
34	3.4	98	9.8
35	3.5	99	9.9
36	3.6	100	10.0
37	3.7	101	11.1
38	3.8	102	12.2
39	3.9	103	13.3
40	4.0	104	14.4
41	4.1	105	15.5
42	4.2	106	17.1
43	4.3	107	18.6
44	4.4	108	20.2
45	4.5	109	21.8
46	4.6	110	23.3
47	4.7	111	24.9
48	4.8	112	26.5
49	4.9	113	28.0
50	5.0	114	29.6
51	5.1	115	31.2
52	5.2	116	32.8
53	5.3	117	34.3
54	5.4	118	35.9
55	5.5	119	37.5
56	5.6	120	39.0
57	5.7	121	40.6
58	5.8	122	42.2
59	5.9	123	43.7
60	6.0	124	45.3
61	6.1	125	46.9
62	6.2	126	48.4
63	6.3	127	50.0

Таблица 3

EQ Frequency

Данные	Значение
0	THRU (20)
1	22
2	25
3	28
4	32
5	36
6	40
7	45
8	50
9	56
10	63
11	70
12	80
13	90
14	100
15	110
16	125
17	140
18	160
19	180
20	200
21	225
22	250
23	280
24	315
25	355
26	400
27	450
28	500
29	560
30	630
31	700
32	800
33	900
34	1.0k
35	1.1k
36	1.2k
37	1.4k
38	1.6k
39	1.8k
40	2.0k
41	2.2k
42	2.5k
43	2.8k
44	3.2k
45	3.6k
46	4.0k
47	4.5k
48	5.0k
49	5.6k
50	6.3k
51	7.0k
52	8.0k
53	9.0k
54	10.0k
55	11.0k
56	12.0k
57	14.0k
58	16.0k
59	18.0k
60	THRU (20.0k)

Таблица 4

Reverb Time

Данные	Значение
0	0.3
1	0.4
2	0.5
3	0.6
4	0.7
5	0.8
6	0.9
7	1.0
8	1.1
9	1.2
10	1.3
11	1.4
12	1.5
13	1.6
14	1.7
15	1.8
16	1.9
17	2.0
18	2.1
19	2.2
20	2.3
21	2.4
22	2.5
23	2.6
24	2.7
25	2.8
26	2.9
27	3.0
28	3.1
29	3.2
30	3.3
31	3.4
32	3.5
33	3.6
34	3.7
35	3.8
36	3.9
37	4.0
38	4.1
39	4.2
40	4.3
41	4.4
42	4.5
43	4.6
44	4.7
45	4.8
46	4.9
47	5.0
48	5.5
49	6.0
50	6.5
51	7.0
52	7.5
53	8.0
54	8.5
55	9.0
56	9.5
57	10.0
58	11.0
59	12.0
60	13.0
61	14.0
62	15.0
63	16.0
64	17.0
65	18.0
66	19.0
67	20.0
68	25.0
69	30.0

Таблица 5

Delay Time (0.1-200.0 [ms])

Данные	Значение	Данные	Значение
0	0.1	64	100.8
1	1.7	65	102.4
2	3.2	66	104.0
3	4.8	67	105.6
4	6.4	68	107.1
5	8.0	69	108.7
6	9.5	70	110.3
7	11.1	71	111.9
8	12.7	72	113.4
9	14.3	73	115.0
10	15.8	74	116.6
11	17.4	75	118.2
12	19.0	76	119.7
13	20.6	77	121.3
14	22.1	78	122.9
15	23.7	79	124.4
16	25.3	80	126.0
17	26.9	81	127.6
18	28.4	82	129.2
19	30.0	83	130.7
20	31.6	84	132.3
21	33.2	85	133.9
22	34.7	86	135.5
23	36.3	87	137.0
24	37.9	88	138.6
25	39.5	89	140.2
26	41.0	90	141.8
27	42.6	91	143.3
28	44.2	92	144.9
29	45.7	93	146.5
30	47.3	94	148.1
31	48.9	95	149.6
32	50.5	96	151.2
33	52.0	97	152.8
34	53.6	98	154.4
35	55.2	99	155.9
36	56.8	100	157.5
37	58.3	101	159.1
38	59.9	102	160.6
39	61.5	103	162.2
40	63.1	104	163.8
41	64.6	105	165.4
42	66.2	106	166.9
43	67.8	107	168.5
44	69.4	108	170.1
45	70.9	109	171.7
46	72.5	110	173.2
47	74.1	111	174.8
48	75.7	112	176.4
49	77.2	113	178.0
50	78.8	114	179.5
51	80.4	115	181.1
52	81.9	116	182.7
53	83.5	117	184.3
54	85.1	118	185.8
55	86.7	119	187.4
56	88.2	120	189.0
57	89.8	121	190.6
58	91.4	122	192.1
59	93.0	123	193.7
60	94.5	124	195.3
61	96.1	125	196.9
62	97.7	126	198.4
63	99.3	127	200.0

Таблица 6

Room Size

Данные	Значение	Данные	Значение
0	0.1	64	10.1
1	0.3	65	10.3
2	0.4	66	10.4
3	0.6	67	10.6
4	0.7	68	10.8
5	0.9	69	10.9
6	1.0	70	11.1
7	1.2	71	11.2
8	1.4	72	11.4
9	1.5	73	11.5
10	1.7	74	11.7
11	1.8	75	11.9
12	2.0	76	12.0
13	2.1	77	12.2
14	2.3	78	12.3
15	2.5	79	12.5
16	2.6	80	12.6
17	2.8	81	12.8
18	2.9	82	12.9
19	3.1	83	13.1
20	3.2	84	13.3
21	3.4	85	13.4
22	3.5	86	13.6
23	3.7	87	13.7
24	3.9	88	13.9
25	4.0	89	14.0
26	4.2	90	14.2
27	4.3	91	14.4
28	4.5	92	14.5
29	4.6	93	14.7
30	4.8	94	14.8
31	5.0	95	15.0
32	5.1	96	15.1
33	5.3	97	15.3
34	5.4	98	15.5
35	5.6	99	15.6
36	5.7	100	15.8
37	5.9	101	15.9
38	6.1	102	16.1
39	6.2	103	16.2
40	6.4	104	16.4
41	6.5	105	16.6
42	6.7	106	16.7
43	6.8	107	16.9
44	7.0	108	17.0
45	7.2	109	17.2
46	7.3	110	17.3
47	7.5	111	17.5
48	7.6	112	17.6
49	7.8	113	17.8
50	7.9	114	18.0
51	8.1	115	18.1
52	8.2	116	18.3
53	8.4	117	18.4
54	8.6	118	18.6
55	8.7	119	18.7
56	8.9	120	18.9
57	9.0	121	19.1
58	9.2	122	19.2
59	9.3	123	19.4
60	9.5	124	19.5
61	9.7	125	19.7
62	9.8	126	19.8
63	10.0	127	20.0

Таблица 7

Delay Time (0.1-400.0 [ms])

Данные	Значение	Данные	Значение
0	0.1	64	201.6
1	3.2	65	204.8
2	6.4	66	207.9
3	9.5	67	211.1
4	12.7	68	214.2
5	15.8	69	217.4
6	19.0	70	220.5
7	22.1	71	223.7
8	25.3	72	226.8
9	28.4	73	230.0
10	31.6	74	233.1
11	34.7	75	236.3
12	37.9	76	239.4
13	41.0	77	242.6
14	44.2	78	245.7
15	47.3	79	248.9
16	50.5	80	252.0
17	53.6	81	255.2
18	56.8	82	258.3
19	59.9	83	261.5
20	63.1	84	264.6
21	66.2	85	267.7
22	69.4	86	270.9
23	72.5	87	274.0
24	75.7	88	277.2
25	78.8	89	280.3
26	82.0	90	283.5
27	85.1	91	286.6
28	88.3	92	289.8
29	91.4	93	292.9
30	94.6	94	296.1
31	97.7	95	299.2
32	100.9	96	302.4
33	104.0	97	305.5
34	107.2	98	308.7
35	110.3	99	311.8
36	113.5	100	315.0
37	116.6	101	318.1
38	119.8	102	321.3
39	122.9	103	324.4
40	126.1	104	327.6
41	129.2	105	330.7
42	132.4	106	333.9
43	135.5	107	337.0
44	138.6	108	340.2
45	141.8	109	343.3
46	144.9	110	346.5
47	148.1	111	349.6
48	151.2	112	352.8
49	154.4	113	355.9
50	157.5	114	359.1
51	160.7	115	362.2
52	163.8	116	365.4
53	167.0	117	368.5
54	170.1	118	371.7
55	173.3	119	374.8
56	176.4	120	378.0
57	179.6	121	381.1
58	182.7	122	384.3
59	185.9	123	387.4
60	189.0	124	390.6
61	192.2	125	393.7
62	195.3	126	396.9
63	198.5	127	400.0

Таблица 8

Compressor Attack Time

Данные	Значение
0	1
1	2
2	3
3	4
4	5
5	6
6	7
7	8
8	9
9	10
10	12
11	14
12	16
13	18
14	20
15	23
16	26
17	30
18	35
19	40
20	50
21	60
22	70
23	80
24	100
25	120
26	140
27	160
28	180
29	200

Таблица 9

Compressor Release Time

Данные	Значение
0	10
1	15
2	25
3	35
4	45
5	55
6	65
7	75
8	85
9	100
10	115
11	140
12	170
13	230
14	340
15	680
16	850
17	1000
18	1200
19	1500
20	1700
21	2000
22	2400
23	3000

Таблица 10

Compressor Ratio

Данные	Значение
0	1.0
1	1.5
2	2.0
3	3.0
4	5.0
5	7.0
6	10.0
7	20.0

Таблица 11

Reverb Width, Depth, Height

Данные	Значение	Данные	Значение
0	0.5	53	14.5
1	0.8	54	14.8
2	1.0	55	15.1
3	1.3	56	15.4
4	1.5	57	15.6
5	1.8	58	15.9
6	2.0	59	16.2
7	2.3	60	16.5
8	2.6	61	16.8
9	2.8	62	17.1
10	3.1	63	17.3
11	3.3	64	17.6
12	3.6	65	17.9
13	3.9	66	18.2
14	4.1	67	18.5
15	4.4	68	18.8
16	4.6	69	19.1
17	4.9	70	19.4
18	5.2	71	19.7
19	5.4	72	20.0
20	5.7	73	20.2
21	5.9	74	20.5
22	6.2	75	20.8
23	6.5	76	21.1
24	6.7	77	21.4
25	7.0	78	21.7
26	7.2	79	22.0
27	7.5	80	22.4
28	7.8	81	22.7
29	8.0	82	23.0
30	8.3	83	23.3
31	8.6	84	23.6
32	8.8	85	23.9
33	9.1	86	24.2
34	9.4	87	24.5
35	9.6	88	24.9
36	9.9	89	25.2
37	10.2	90	25.5
38	10.4	91	25.8
39	10.7	92	26.1
40	11.0	93	26.5
41	11.2	94	26.8
42	11.5	95	27.1
43	11.8	96	27.5
44	12.1	97	27.8
45	12.3	98	28.1
46	12.6	99	28.5
47	12.9	100	28.8
48	13.1	101	29.2
49	13.4	102	29.5
50	13.7	103	29.9
51	14.0	104	30.2
52	14.2		

Таблица 12

Wah Release Time

Данные	Значение
52	10
53	15
54	25
55	35
56	45
57	55
58	65
59	75
60	85
61	100
62	115
63	140
64	170
65	230
66	340
67	680

Таблица 13

Lo-Fi Sampling Frequency Control

Данные	Значение	Данные	Значение
0	44.1k	64	678.5
1	22.1k	65	668.2
2	14.7k	66	658.2
3	11.0k	67	648.5
4	8.82k	68	639.1
5	7.35k	69	630.0
6	6.30k	70	621.1
7	5.51k	71	612.5
8	4.90k	72	604.1
9	4.41k	73	595.9
10	4.01k	74	588.0
11	3.68k	75	580.3
12	3.39k	76	572.7
13	3.15k	77	565.4
14	2.94k	78	558.2
15	2.76k	79	551.3
16	2.59k	80	544.4
17	2.45k	81	537.8
18	2.32k	82	531.3
19	2.21k	83	525.0
20	2.10k	84	518.8
21	2.00k	85	512.8
22	1.92k	86	506.9
23	1.84k	87	501.1
24	1.76k	88	495.5
25	1.70k	89	490.0
26	1.63k	90	484.6
27	1.58k	91	479.3
28	1.52k	92	474.2
29	1.47k	93	469.1
30	1.42k	94	464.2
31	1.38k	95	459.4
32	1.34k	96	454.6
33	1.30k	97	450.0
34	1.26k	98	445.5
35	1.23k	99	441.0
36	1.19k	100	436.6
37	1.16k	101	432.4
38	1.13k	102	428.2
39	1.10k	103	424.0
40	1.08k	104	420.0
41	1.05k	105	416.0
42	1.03k	106	412.1
43	1.00k	107	408.3
44	980.0	108	404.6
45	958.7	109	400.9
46	938.3	110	397.3
47	918.8	111	393.8
48	900.0	112	390.3
49	882.0	113	386.8
50	864.7	114	383.5
51	848.1	115	380.2
52	832.1	116	376.9
53	816.7	117	373.7
54	801.8	118	370.6
55	787.5	119	367.5
56	773.7	120	364.5
57	760.3	121	361.5
58	747.5	122	358.5
59	735.0	123	355.6
60	723.0	124	352.8
61	711.3	125	350.0
62	700.0	126	347.2
63	689.1	127	344.5

Таблица 14

Tempo

Данные	Значение
0	32nd/3
1	64th.
2	32nd
3	16th/3
4	32nd.
5	16th
6	8th/3
7	16th.
8	8th
9	4th/3
10	8th.
11	4th
12	2nd/3
13	4th.
14	2nd
15	Whole/3
16	2nd.
17	4thX4
18	4thX5
19	4thX6
20	4thX7
21	4thX8

Таблица 15

Multi Compressor Gain (dB)

Данные	Значение	Данные	Значение
0	-∞	31	-6
1	-60	32	-5
2	-57	33	-4
3	-54	34	-3
4	-51	35	-2
5	-48	36	-1
6	-45	37	0
7	-42	38	1
8	-39	39	2
9	-36	40	3
10	-33	41	4
11	-30	42	5
12	-27	43	6
13	-24	44	7
14	-23	45	8
15	-22	46	9
16	-21	47	10
17	-20	48	11
18	-19	49	12
19	-18	50	13
20	-17	51	14
21	-16	52	15
22	-15	53	16
23	-14	54	17
24	-13	55	18
25	-12		
26	-11		
27	-10		
28	-9		
29	-8		
30	-7		

Таблица 16

Divide Frequency (Hz)

Данные	Значение1	Значение2	Данные	Значение1	Значение2
0	32	1.2k	64	315	3.2k
1	32	1.6k	65	315	4.0k
2	32	2.0k	66	315	5.0k
3	32	2.5k	67	315	6.3k
4	32	3.2k	68	315	8.0k
5	32	4.0k	69	315	10.0k
6	32	5.0k	70	500	1.2k
7	32	6.3k	71	500	1.6k
8	32	8.0k	72	500	2.0k
9	32	10.0k	73	500	2.5k
10	63	1.2k	74	500	3.2k
11	63	1.6k	75	500	4.0k
12	63	2.0k	76	500	5.0k
13	63	2.5k	77	500	6.3k
14	63	3.2k	78	500	8.0k
15	63	4.0k	79	500	10.0k
16	63	5.0k	80	630	1.2k
17	63	6.3k	81	630	1.6k
18	63	8.0k	82	630	2.0k
19	63	10.0k	83	630	2.5k
20	80	1.2k	84	630	3.2k
21	80	1.6k	85	630	4.0k
22	80	2.0k	86	630	5.0k
23	80	2.5k	87	630	6.3k
24	80	3.2k	88	630	8.0k
25	80	4.0k	89	630	10.0k
26	80	5.0k			
27	80	6.3k			
28	80	8.0k			
29	80	10.0k			
30	125	1.2k			
31	125	1.6k			
32	125	2.0k			
33	125	2.5k			
34	125	3.2k			
35	125	4.0k			
36	125	5.0k			
37	125	6.3k			
38	125	8.0k			
39	125	10.0k			
40	160	1.2k			
41	160	1.6k			
42	160	2.0k			
43	160	2.5k			
44	160	3.2k			
45	160	4.0k			
46	160	5.0k			
47	160	6.3k			
48	160	8.0k			
49	160	10.0k			
50	250	1.2k			
51	250	1.6k			
52	250	2.0k			
53	250	2.5k			
54	250	3.2k			
55	250	4.0k			
56	250	5.0k			
57	250	6.3k			
58	250	8.0k			
59	250	10.0k			
60	315	1.2k			
61	315	1.6k			
62	315	2.0k			
63	315	2.5k			

Таблица 17

Dyna Attack Time (ms)

Данные	Значение	Данные	Значение
0	0.3	64	112
1	0.9	65	114
2	1.8	66	116
3	2.7	67	118
4	3.6	68	120
5	5.4	69	121
6	7.2	70	123
7	9.0	71	125
8	10.0	72	127
9	12.0	73	129
10	14.0	74	130
11	16.0	75	132
12	18.0	76	134
13	20.0	77	136
14	21.0	78	138
15	23.0	79	140
16	25.0	80	141
17	27.0	81	143
18	29.0	82	145
19	30.0	83	147
20	32.0	84	149
21	34.0	85	150
22	36.0	86	152
23	38.0	87	154
24	40.0	88	156
25	41.0	89	158
26	43.0	90	160
27	45.0	91	161
28	47.0	92	163
29	49.0	93	165
30	50.0	94	167
31	52.0	95	169
32	54.0	96	170
33	56.0	97	172
34	58.0	98	174
35	60.0	99	176
36	61.0	100	178
37	63.0	101	180
38	65.0	102	181
39	67.0	103	183
40	69.0	104	185
41	70.0	105	187
42	72.0	106	189
43	74.0	107	190
44	76.0	108	192
45	78.0	109	194
46	80.0	110	196
47	81.0	111	198
48	83.0	112	200
49	85.0	113	201
50	87.0	114	203
51	89.0	115	205
52	90.0	116	207
53	92.0	117	209
54	94.0	118	210
55	96.0	119	212
56	98.0	120	214
57	100.0	121	216
58	101.0	122	218
59	103.0	123	220
60	105.0	124	221
61	107.0	125	223
62	109.0	126	225
63	110.0	127	227

Таблица 18

Dyna Release Time (ms)

Данные	Значение	Данные	Значение
0	2.6	64	369
1	3.0	65	391
2	3.4	66	413
3	3.9	67	434
4	4.3	68	456
5	4.7	69	478
6	5.2	70	499
7	5.6	71	521
8	6.0	72	543
9	6.5	73	565
10	6.9	74	586
11	7.3	75	608
12	7.8	76	630
13	8.2	77	651
14	8.6	78	673
15	13	79	695
16	17	80	717
17	22	81	738
18	26	82	760
19	30	83	782
20	35	84	803
21	39	85	825
22	43	86	847
23	48	87	869
24	52	88	890
25	56	89	912
26	61	90	934
27	65	91	955
28	69	92	977
29	74	93	999
30	78	94	1021
31	83	95	1042
32	87	96	1064
33	91	97	1086
34	96	98	1107
35	100	99	1129
36	104	100	1151
37	109	101	1173
38	113	102	1194
39	117	103	1216
40	122	104	1238
41	126	105	1259
42	130	106	1281
43	135	107	1303
44	139	108	1346
45	143	109	1390
46	148	110	1433
47	152	111	1477
48	156	112	1520
49	161	113	1563
50	165	114	1607
51	169	115	1650
52	174	116	1694
53	178	117	1737
54	182	118	1781
55	187	119	1824
56	195	120	1867
57	217	121	1911
58	239	122	1954
59	261	123	1998
60	282	124	2041
61	304	125	2085
62	326	126	2128
63	347	127	2171

Таблица 19

Ring Mod OSC Freq Coarse (Hz)

Данные	Значение	Данные	Значение
0	0.5	64	151
1	1.5	65	160
2	2.0	66	169
3	2.5	67	179
4	3.5	68	189
5	4.0	69	200
6	4.5	70	211
7	5.5	71	223
8	6.0	72	236
9	6.5	73	249
10	7.5	74	264
11	8.0	75	279
12	8.4	76	295
13	8.9	77	311
14	9.4	78	329
15	9.9	79	348
16	10.5	80	368
17	11.1	81	389
18	11.7	82	411
19	12.4	83	435
20	13.1	84	459
21	13.9	85	486
22	14.7	86	513
23	15.5	87	543
24	16.4	88	574
25	17.3	89	607
26	18.3	90	641
27	19.4	91	678
28	20.5	92	717
29	21.7	93	757
30	22.9	94	801
31	24.2	95	846
32	25.6	96	895
33	27.1	97	946
34	28.6	98	1.00k
35	30.3	99	1.05k
36	32.0	100	1.11k
37	33.8	101	1.18k
38	35.8	102	1.24k
39	37.8	103	1.32k
40	40.0	104	1.39k
41	42.2	105	1.47k
42	44.7	106	1.55k
43	47.2	107	1.64k
44	49.9	108	1.74k
45	52.7	109	1.84k
46	55.8	110	1.94k
47	58.9	111	2.05k
48	62.3	112	2.17k
49	65.9	113	2.29k
50	69.6	114	2.43k
51	73.6	115	2.56k
52	77.8	116	2.71k
53	82.3	117	2.87k
54	87.0	118	3.03k
55	91.9	119	3.20k
56	97.2	120	3.39k
57	102	121	3.58k
58	108	122	3.79k
59	114	123	4.00k
60	121	124	4.23k
61	128	125	4.47k
62	135	126	4.73k
63	143	127	5.00k

Таблица 20

V-Flanger Delay Offset

Данные	Значение	Данные	Значение
0	0.09	70	6.35
1	0.11	71	6.67
2	0.13	72	7.01
3	0.15	73	7.37
4	0.18	74	7.74
5	0.20	75	8.13
6	0.22	76	8.54
7	0.24	77	8.97
8	0.27	78	9.41
9	0.29	79	9.85
10	0.31	80	10.29
11	0.34	81	10.73
12	0.36	82	11.17
13	0.38	83	11.61
14	0.40	84	12.05
15	0.42	85	12.49
16	0.43	86	12.93
17	0.46	87	13.37
18	0.48	88	13.81
19	0.51	89	14.24
20	0.53	90	14.68
21	0.56	91	15.12
22	0.59	92	15.56
23	0.62	93	16.00
24	0.65	94	16.44
25	0.68	95	16.88
26	0.72	96	17.32
27	0.76	97	17.76
28	0.79	98	18.20
29	0.83	99	18.64
30	0.88	100	19.08
31	0.92	101	19.52
32	0.97	102	19.96
33	1.02	103	20.40
34	1.07	104	20.83
35	1.12	105	21.27
36	1.18	106	21.71
37	1.24	107	22.15
38	1.30	108	22.59
39	1.37	109	23.03
40	1.44	110	23.47
41	1.51	111	23.91
42	1.59	112	24.35
43	1.67	113	24.79
44	1.76	114	25.23
45	1.84	115	25.66
46	1.94	116	26.10
47	2.04	117	26.54
48	2.14	118	26.98
49	2.25	119	27.42
50	2.36	120	27.86
51	2.48	121	28.30
52	2.61	122	28.74
53	2.74	123	29.18
54	2.88	124	29.62
55	3.03	125	30.06
56	3.18	126	30.50
57	3.34	127	30.94
58	3.51	128	31.38
59	3.69	129	31.82
60	3.87	130	32.25
61	4.07	131	32.69
62	4.28	132	33.13
63	4.49	133	33.57
64	4.72	134	34.01
65	4.96	135	34.45
66	5.21	136	34.89
67	5.47	137	35.33
68	5.75	138	35.77
69	6.04	139	36.21

Таблица 21

Modulation Phase

Данные	Значение
0	-180
1	-158
2	-135
3	-113
4	-90
5	-68
6	-45
7	-23
8	0
9	23
10	45
11	68
12	90
13	113
14	135
15	158
16	180

Таблица 22

Vintage Flanger Speed

Данные	Значение	Данные	Значение	Данные	Значение	Данные	Значение
0	0.040	64	0.247	128	0.988	192	3.953
1	0.042	65	0.252	129	1.009	193	4.037
2	0.045	66	0.258	130	1.030	194	4.122
3	0.047	67	0.263	131	1.051	195	4.206
4	0.050	68	0.268	132	1.072	196	4.290
5	0.053	69	0.273	133	1.093	197	4.374
6	0.055	70	0.281	134	1.125	198	4.500
7	0.058	71	0.287	135	1.146	199	4.584
8	0.060	72	0.292	136	1.167	200	4.668
9	0.063	73	0.300	137	1.199	201	4.752
10	0.066	74	0.308	138	1.220	202	4.879
11	0.068	75	0.313	139	1.251	203	5.005
12	0.071	76	0.321	140	1.272	204	5.131
13	0.074	77	0.326	141	1.304	205	5.215
14	0.076	78	0.334	142	1.335	206	5.341
15	0.079	79	0.342	143	1.367	207	5.467
16	0.081	80	0.347	144	1.409	208	5.552
17	0.084	81	0.357	145	1.430	209	5.720
18	0.087	82	0.363	146	1.451	210	5.804
19	0.089	83	0.373	147	1.493	211	5.972
20	0.092	84	0.379	148	1.514	212	6.056
21	0.095	85	0.389	149	1.556	213	6.224
22	0.097	86	0.400	150	1.577	214	6.309
23	0.100	87	0.405	151	1.619	215	6.477
24	0.102	88	0.415	152	1.661	216	6.645
25	0.105	89	0.426	153	1.682	217	6.813
26	0.108	90	0.431	154	1.724	218	6.897
27	0.110	91	0.442	155	1.766	219	7.066
28	0.113	92	0.452	156	1.808	220	7.234
29	0.116	93	0.463	157	1.851	221	7.402
30	0.118	94	0.473	158	1.893	222	7.570
31	0.121	95	0.484	159	1.935	223	7.738
32	0.124	96	0.494	160	1.977	224	7.907
33	0.126	97	0.505	161	2.019	225	8.075
34	0.129	98	0.515	162	2.061	226	8.243
35	0.131	99	0.526	163	2.103	227	8.411
36	0.134	100	0.536	164	2.145	228	8.580
37	0.137	101	0.547	165	2.187	229	8.748
38	0.139	102	0.563	166	2.250	230	9.000
39	0.145	103	0.573	167	2.292	231	9.168
40	0.147	104	0.589	168	2.334	232	9.337
41	0.150	105	0.599	169	2.397	233	9.589
42	0.152	106	0.615	170	2.460	234	9.757
43	0.158	107	0.626	171	2.502	235	10.00
44	0.160	108	0.636	172	2.565		
45	0.163	109	0.652	173	2.608		
46	0.168	110	0.668	174	2.671		
47	0.171	111	0.683	175	2.733		
48	0.173	112	0.704	176	2.776		
49	0.179	113	0.715	177	2.860		
50	0.181	114	0.725	178	2.902		
51	0.187	115	0.747	179	2.986		
52	0.189	116	0.757	180	3.028		
53	0.195	117	0.778	181	3.112		
54	0.197	118	0.789	182	3.154		
55	0.202	119	0.810	183	3.238		
56	0.208	120	0.831	184	3.323		
57	0.210	121	0.852	185	3.365		
58	0.216	122	0.862	186	3.449		
59	0.221	123	0.883	187	3.533		
60	0.226	124	0.904	188	3.617		
61	0.231	125	0.925	189	3.701		
62	0.237	126	0.946	190	3.785		
63	0.242	127	0.967	191	3.869		

Таблица 23

Vintage Phaser Speed

Данные	Значение	Данные	Значение	Данные	Значение	Данные	Значение
0	0.100	64	0.334	128	1.062	192	3.365
1	0.103	65	0.342	129	1.083	193	3.449
2	0.105	66	0.347	130	1.104	194	3.491
3	0.108	67	0.357	131	1.125	195	3.575
4	0.110	68	0.363	132	1.146	196	3.659
5	0.113	69	0.368	133	1.167	197	3.701
6	0.116	70	0.373	134	1.188	198	3.785
7	0.118	71	0.379	135	1.209	199	3.827
8	0.121	72	0.389	136	1.230	200	3.911
9	0.124	73	0.394	137	1.251	201	3.995
10	0.126	74	0.400	138	1.272	202	4.080
11	0.129	75	0.410	139	1.304	203	4.122
12	0.131	76	0.415	140	1.325	204	4.206
13	0.134	77	0.426	141	1.346	205	4.290
14	0.137	78	0.431	142	1.367	206	4.374
15	0.139	79	0.442	143	1.410	207	4.458
16	0.142	80	0.447	144	1.430	208	4.500
17	0.145	81	0.457	145	1.451	209	4.584
18	0.147	82	0.463	146	1.472	210	4.668
19	0.150	83	0.473	147	1.493	211	4.752
20	0.152	84	0.478	148	1.535	212	4.837
21	0.155	85	0.489	149	1.556	213	4.921
22	0.158	86	0.499	150	1.577	214	5.047
23	0.160	87	0.510	151	1.619	215	5.131
24	0.163	88	0.515	152	1.640	216	5.215
25	0.166	89	0.526	153	1.682	217	5.299
26	0.168	90	0.536	154	1.703	218	5.383
27	0.171	91	0.547	155	1.724	219	5.551
28	0.173	92	0.557	156	1.767	220	5.636
29	0.179	93	0.568	157	1.808	221	5.720
30	0.181	94	0.578	158	1.829	222	5.804
31	0.184	95	0.589	159	1.872	223	5.888
32	0.187	96	0.599	160	1.893	224	6.056
33	0.192	97	0.610	161	1.935	225	6.140
34	0.195	98	0.620	162	1.977	226	6.224
35	0.200	99	0.631	163	2.000	227	6.393
36	0.202	100	0.641	164	2.040	228	6.477
37	0.205	101	0.652	165	2.082	229	6.561
38	0.210	102	0.668	166	2.124	230	6.729
39	0.213	103	0.683	167	2.145	231	6.813
40	0.218	104	0.694	168	2.187	232	6.981
41	0.221	105	0.704	169	2.229	233	7.066
42	0.226	106	0.715	170	2.271	234	7.234
43	0.229	107	0.725	171	2.313	235	7.318
44	0.234	108	0.747	172	2.355	236	7.486
45	0.237	109	0.758	173	2.397	237	7.654
46	0.242	110	0.768	174	2.439	238	7.774
47	0.247	111	0.789	175	2.503	239	7.907
48	0.250	112	0.799	176	2.544	240	8.075
49	0.255	113	0.810	177	2.587	241	8.159
50	0.260	114	0.831	178	2.629	242	8.327
51	0.265	115	0.841	179	2.671	243	8.496
52	0.271	116	0.862	180	2.734	244	8.664
53	0.276	117	0.873	181	2.776	245	8.832
54	0.281	118	0.894	182	2.860	246	9.000
55	0.287	119	0.904	183	2.902	247	9.168
56	0.289	120	0.925	184	2.944	248	9.337
57	0.294	121	0.936	185	2.986	249	9.505
58	0.300	122	0.957	186	3.028	250	9.673
59	0.308	123	0.967	187	3.070	251	9.841
60	0.310	124	0.988	188	3.154	252	10.00
61	0.318	125	1.000	189	3.196		
62	0.323	126	1.030	190	3.280		
63	0.329	127	1.051	191	3.323		

Таблица 24

Vintage Wah Speed

Данные	Значение	Данные	Значение	Данные	Значение	Данные	Значение
0	0.100	64	0.384	128	1.451	192	5.552
1	0.103	65	0.394	129	1.493	193	5.636
2	0.105	66	0.405	130	1.514	194	5.720
3	0.108	67	0.410	131	1.556	195	5.888
4	0.110	68	0.421	132	1.598	196	5.972
5	0.113	69	0.426	133	1.619	197	6.140
6	0.116	70	0.436	134	1.661	198	6.224
7	0.118	71	0.447	135	1.703	199	6.393
8	0.129	72	0.457	136	1.724	200	6.477
9	0.124	73	0.463	137	1.766	201	6.665
10	0.126	74	0.473	138	1.808	202	6.813
11	0.129	75	0.484	139	1.851	203	6.897
12	0.131	76	0.494	140	1.872	204	7.066
13	0.134	77	0.505	141	1.914	205	7.234
14	0.137	78	0.515	142	1.956	206	7.402
15	0.139	79	0.526	143	1.999	207	7.570
16	0.142	80	0.536	144	2.040	208	7.654
17	0.145	81	0.547	145	2.082	209	7.823
18	0.147	82	0.563	146	2.124	210	7.991
19	0.152	83	0.573	147	2.166	211	8.159
20	0.155	84	0.584	148	2.229	212	8.327
21	0.157	85	0.599	149	2.250	213	8.496
22	0.163	86	0.610	150	2.313	214	8.748
23	0.166	87	0.620	151	2.355	215	8.916
24	0.168	88	0.636	152	2.397	216	9.084
25	0.173	89	0.652	153	2.460	217	9.253
26	0.176	90	0.662	154	2.502	218	9.505
27	0.179	91	0.673	155	2.566	219	9.673
28	0.184	92	0.694	156	2.608	220	9.841
29	0.187	93	0.704	157	2.671	221	10.09
30	0.189	94	0.725	158	2.734	222	10.26
31	0.195	95	0.736	159	2.776	223	10.51
32	0.200	96	0.747	160	2.818	224	10.77
33	0.202	97	0.768	161	2.902	225	10.93
34	0.208	98	0.778	162	2.944	226	11.10
35	0.210	99	0.799	163	3.028	227	11.44
36	0.216	100	0.820	164	3.070	228	11.61
37	0.221	101	0.831	165	3.154	229	11.94
38	0.226	102	0.852	166	3.196	230	12.11
39	0.231	103	0.873	167	3.280	231	12.45
40	0.234	104	0.883	168	3.336	232	12.62
41	0.239	105	0.904	169	3.407	233	12.95
42	0.244	106	0.935	170	3.491	234	13.29
43	0.250	107	0.946	171	3.575	235	13.46
44	0.255	108	0.967	172	3.659	236	13.79
45	0.260	109	0.988	173	3.701	237	13.96
46	0.265	110	0.999	174	3.785	238	14.30
47	0.271	111	1.020	175	3.869	239	14.64
48	0.276	112	1.051	176	3.953	240	14.97
49	0.284	113	1.072	177	4.037	241	15.31
50	0.289	114	1.093	178	4.122	242	15.65
51	0.294	115	1.115	179	4.206	243	15.98
52	0.302	116	1.136	180	4.290	244	16.32
53	0.308	117	1.157	181	4.374	245	16.65
54	0.315	118	1.188	182	4.500	246	16.99
55	0.321	119	1.209	183	4.584	247	17.33
56	0.326	120	1.241	184	4.668	248	17.66
57	0.334	121	1.262	185	4.795	249	18.00
58	0.342	122	1.293	186	4.879	250	18.34
59	0.347	123	1.314	187	4.963	251	18.84
60	0.357	124	1.346	188	5.090	252	19.18
61	0.363	125	1.367	189	5.173	253	19.51
62	0.368	126	1.409	190	5.299	254	20.00
63	0.379	127	1.430	191	5.383		

Таблица 25

Rev Hall Time

Данные	Значение
0	0.3
1	0.4
2	0.5
3	0.6
4	0.7
5	0.8
6	0.9
7	1.0
8	1.1
9	1.2
10	1.3
11	1.4
12	1.5
13	1.6
14	1.7
15	1.8
16	1.9
17	2.0
18	2.1
19	2.2
20	2.3
21	2.4
22	2.5
23	2.6
24	2.7
25	2.8
26	2.9
27	3.0
28	3.1
29	3.2
30	3.3
31	3.4
32	3.5
33	3.6
34	3.7
35	3.8
36	3.9
37	4.0
38	4.1
39	4.2
40	4.3
41	4.4
42	4.5
43	4.6
44	4.7
45	4.8
46	4.9
47	5.0
48	5.5
49	6.0
50	6.5
51	7.0
52	7.5
53	8.0
54	8.5
55	9.0
56	9.5
57	10.0
58	10.5
59	11.0
60	11.5
61	12.0
62	12.5
63	13.0
64	13.5
65	14.0
66	15.0
67	16.0
68	17.0
69	18.0

Таблица 25

Rev Room Time

Данные	Значение
0	0.3
1	0.4
2	0.5
3	0.6
4	0.7
5	0.8
6	0.9
7	1.0
8	1.1
9	1.2
10	1.3
11	1.4
12	1.5
13	1.6
14	1.7
15	1.8
16	1.9
17	2.0
18	2.1
19	2.2
20	2.3
21	2.4
22	2.5
23	2.6
24	2.7
25	2.8
26	2.9
27	3.0
28	3.1
29	3.2
30	3.3
31	3.4
32	3.5
33	3.6
34	3.7
35	3.8
36	3.9
37	4.0
38	4.1
39	4.2
40	4.3
41	4.4
42	4.5
43	4.6
44	4.7
45	4.8
46	4.9
47	5.0
48	5.1
49	5.2
50	5.3
51	5.4
52	5.5
53	5.6
54	5.7
55	5.8
56	5.9
57	6.0
58	6.1
59	6.2
60	6.3
61	6.4
62	6.5
63	6.6
64	6.7
65	6.8
66	6.9
67	7.0
68	8.0
69	10.0

Таблица 25

Rev Plate Time

Данные	Значение
0	0.3
1	0.4
2	0.5
3	0.6
4	0.7
5	0.8
6	0.9
7	1.0
8	1.1
9	1.2
10	1.3
11	1.4
12	1.5
13	1.6
14	1.7
15	1.8
16	1.9
17	2.0
18	2.1
19	2.2
20	2.3
21	2.4
22	2.5
23	2.6
24	2.7
25	2.8
26	2.9
27	3.0
28	3.1
29	3.2
30	3.3
31	3.4
32	3.5
33	3.6
34	3.7
35	3.8
36	3.9
37	4.0
38	4.1
39	4.2
40	4.3
41	4.4
42	4.5
43	4.6
44	4.7
45	4.8
46	4.9
47	5.0
48	5.5
49	6.0
50	6.5
51	7.0
52	7.5
53	8.0
54	8.5
55	9.0
56	9.5
57	10.0
58	10.5
59	11.0
60	11.5
61	12.0
62	12.5
63	13.0
64	14.0
65	15.0
66	17.0
67	20.0
68	23.0
69	26.0

Перечень параметров управления

Назначение присвоений A/B

№	Отображение	Описание
0	off	off
1	EQLow-G	MEQ Low Gain
2	EQLow-F	MEQ Low Frequency
3	EQLow-Q	MEQ Low Q
4	EQLoM-G	MEQ Low Mid Gain
5	EQLoM-F	MEQ Low Mid Frequency
6	EQLoM-Q	MEQ Low Mid Q
7	EQMid-G	MEQ Mid Gain
8	EQMid-F	MEQ Mid Frequency
9	EQMid-Q	MEQ Mid Q
10	EQHiM-G	MEQ High Mid Gain
11	EQHiM-F	MEQ High Mid Frequency
12	EQHiM-Q	MEQ High Mid Q
13	EQHighG	MEQ High Gain
14	EQHighF	MEQ High Frequency
15	EQHighQ	MEQ High Q
16	MEF-P1	MEFF Parameter 1
:	:	:
31	MEF-P16	MEFF Parameter 16
32	REV-P1	Reverb Parameter 1
:	:	:
47	REV-P16	Reverb Parameter 16
48	REV-Rtn	Reverb Return
49	REV-Pan	Reverb Pan
50	CHO-P1	Chorus Parameter 1
:	:	:
65	CHO-P16	Chorus Parameter 16
66	CHO-Rtn	Chorus Return
67	CHO-Pan	Chorus Pan
68	CHO->REV	Send Chorus To Reverb
69	ARP-Unt	Arpeggio Unit Multiply
70	ARP-Vel	Arpeggio Velocity Rate
71	ARP-Gat	Arpeggio Gate Time Rate
72	ARP-QuV	Arpeggio Quantize Value
73	ARP-QuS	Arpeggio Quantize Strength
74	ARP-Swg	Arpeggio Swing
75	Tempo	Arpeggio/Sequencer Tempo
76	AEG-Atk	AEG Attack Time
77	AEG-Dcy	AEG Decay Time
78	AEG-Sus	AEG Sustain Level
79	AEG-Rel	AEG Release Time
80	FEG-Atk	FEG Attack Time
81	FEG-Dcy	FEG Decay Time
82	FEG-Rel	FEG Release Time
83	FEG-Dpt	FEG Depth
84	Cutoff	Cutoff Frequency
85	Reso	Resonance

x = 0: Обычный голос

6: Голос ударного инструмента, набор отрезков фраз

C: Вставленный голос

Назначение присвоений A/B

№	Отображение	Описание	Обычный	Прочие
0	-----	off	0	0
1		Volume	0	0
2	RevSend	Reverb Send	0	0
3	ChoSend	Chorus Send	0	0
4	INSA P1	Insertion Effect A Parameter 1	0	0
:	:	:	:	:
19	INSA P16	Insertion Effect A Parameter 16	0	0
20	INSB P1	Insertion Effect B Parameter 1	0	0
:	:	:	:	:
35	INSB P16	Insertion Effect B Parameter 16	0	0
36	CLFOspd	Common LFO Speed	0	X
37	CLFO-D1	Common LFO Depth1	0	X
38	CLFO-D2	Common LFO Depth2	0	X
39	CLFO-D3	Common LFO Depth3	0	X
40	PorTime	Portamento Time	0	X
41	ELM-Lvl	Element Level	0	X
42	ELM-Pan	Element Pan	0	X
43	ELM-Dly	Element Key On Delay	0	X
44	ELFOspd	Element LFO Speed	0	X
45	ELFO-PM	Element LFO Pitch Modulation Depth	0	X
46	ELFO-AM	Element LFO Amplitude Modulation Depth	0	X
47	ELFO-FM	Element LFO Filter Modulation Depth	0	X
48	PCH-Crs	Element Pitch Coarse	0	X
49	PCH-Fin	Element Pitch Fine	0	X
50	PEG-Dpt	Element Pitch EG Depth	0	X
51	PEG-Hld	Element Pitch EG Hold Time	0	X
52	PEG-Atk	Element Pitch EG Attack Time	0	X
53	PEG-D1	Element Pitch EG Decay1 Time	0	X
54	PEG-D2	Element Pitch EG Decay2 Time	0	X
55	PEG-Rel	Element Pitch EG Release Time	0	X
56	AEG-Atk	Element Amplitude EG Attack Time	0	X
57	AEG-D1	Element Amplitude EG Decay1 Time	0	X
58	AEG-D2	Element Amplitude EG Decay2 Time	0	X
59	AEG-Rel	Element Amplitude EG Release Time	0	X
60	FEG-Dpt	Element Filter EG Depth	0	X
61	FEG-Hld	Element Filter EG Hold Time	0	X
62	FEG-Atk	Element Filter EG Attack Time	0	X
63	FEG-D1	Element Filter EG Decay1 Time	0	X
64	FEG-D2	Element Filter EG Decay2 Time	0	X
65	FEG-Rel	Element Filter EG Release Time	0	X
66	FLT-Frq	Element Filter Cutoff Frequency	0	X
67	FLT-Rez	Element Filter Resonance	0	X
68	HPF-Frq	Element HPF Cutoff Frequency	0	X

Перечень стилей Multi

№	Наименование	№	Наименование
1	New R&B	17	Samba
2	Flip Hop	18	Salsa
3	Hip Hop 1	19	Montuno
4	Hip Hop 2	20	Reggae
5	Disco	21	Trance
6	Funk 1	22	IbizaTranc
7	Funk 2	23	DreamDance
8	70's Rock	24	Synth Pop
9	Soft Rock	25	Chill Out
10	Unplugged	26	Club House
11	Piano Club	27	LatinHouse
12	Cool Funk	28	Garage
13	Analog Pop	29	Retro Pop
14	Guitar Pop	30	Xover Rock
15	Slowfeel	31	SpanishPop
16	Combo Jazz	32	TurkishPop

Перечень типов арпеджио

В колонке «Тип голоса» указан общий тип голоса, который наилучшим образом соответствует выбранному типу арпеджио. Наименования голосов, указанные здесь в кавычках, являются специфическими голосами S90 ES.

Категория	№ Арпеджио	Наименование арпеджио	Размер	Длина	Исходный темп	Тип голоса
Seq	001	UpOct1	4 / 4	1	120	Syn Comp/Lead
Seq	002	UpOct2	4 / 4	1	120	:
Seq	003	UpOct4	4 / 4	1	120	:
Seq	004	DownOct1	4 / 4	1	120	:
Seq	005	DownOct2	4 / 4	1	120	:
Seq	006	DownOct4	4 / 4	1	120	:
Seq	007	U/DAOct1	4 / 4	1	120	:
Seq	008	U/DAOct2	4 / 4	1	120	:
Seq	009	U/DAOct4	4 / 4	1	120	:
Seq	010	U/DBOct1	4 / 4	1	120	:
Seq	011	U/DBOct2	4 / 4	1	120	:
Seq	012	U/DBOct4	4 / 4	1	120	:
Seq	013	RndmOct1	4 / 4	1	120	:
Seq	014	RndmOct2	4 / 4	1	120	:
Seq	015	RndmOct4	4 / 4	1	120	:
Seq	016	Oct2Up	4 / 4	1	120	:
Seq	017	Oct4Up	4 / 4	1	120	:
Seq	018	UnisonUp	4 / 4	1	120	:
Seq	019	Up&Down1	4 / 4	1	120	:
Seq	020	Up&Down2	4 / 4	1	120	:
Seq	021	Up&Down4	4 / 4	1	120	:
Seq	022	Up&Alt1	4 / 4	1	120	:
Seq	023	Up&Rndm1	4 / 4	1	120	:
Seq	024	Up&Rndm2	4 / 4	1	120	:
Seq	025	Up&Rndm4	4 / 4	1	120	:
Seq	026	SynArp1	4 / 4	1	130	:
Seq	027	SynArp2	4 / 4	2	130	:
Seq	028	SynArp3	4 / 4	1	130	:
Seq	029	SynArp4	4 / 4	1	130	:
Seq	030	SynArp5	4 / 4	1	130	:
Seq	031	SynArp6	4 / 4	1	124	:
Seq	032	SynArp7	4 / 4	1	120	:
Seq	033	SynArp8	4 / 4	1	130	:
Seq	034	SynArp9	4 / 4	1	130	:
Seq	035	SynArp10	4 / 4	1	130	:
Seq	036	SynArp11	4 / 4	2	130	:
Seq	037	SynArp12	4 / 4	1	90	:
Seq	038	SynArp13	4 / 4	2	124	:
Seq	039	SynArp14	4 / 4	1	130	:
Seq	040	SynArp15	4 / 4	1	130	:
Seq	041	SynArp16	4 / 4	1	130	:
Seq	042	SynArp17	4 / 4	1	90	:
Seq	043	SynArp18	4 / 4	1	130	:
Seq	044	SynArp19	4 / 4	1	120	:
Seq	045	SynArp20	4 / 4	1	120	:
Seq	046	SynArp21	4 / 4	1	124	:
Seq	047	SynArp22	4 / 4	1	120	:
Seq	048	SynArp23	4 / 4	1	138	:
Seq	049	SynArp24	4 / 4	1	138	:
Seq	050	SynArp25	4 / 4	1	120	:
Seq	051	SynArp26	4 / 4	1	120	:
Seq	052	SynArp27	4 / 4	1	120	:
Seq	053	SynArp28	1 / 4	10	125	:
Seq	054	SynArp29	4 / 4	5	120	:
Seq	055	Techno1	4 / 4	2	120	:
Seq	056	Techno2	4 / 4	2	120	:
Seq	057	Techno3	4 / 4	2	120	:
Seq	058	Syncopa1	4 / 4	2	120	:
Seq	059	SyncpEco	4 / 4	2	120	:
Seq	060	PulsLine	4 / 4	2	120	:
Seq	061	SeqS&H1	4 / 4	4	120	:
Seq	062	SeqS&H2	4 / 4	4	120	:
Seq	063	Ocean	4 / 4	1	120	:
Seq	064	Orbit	4 / 4	1	140	:
Seq	065	X-Sweep1	4 / 4	1	140	:
Seq	066	X-Sweep2	4 / 4	1	140	:
Seq	067	X-Sweep3	4 / 4	1	140	:
Seq	068	Lamb	4 / 4	1	125	:
Seq	069	Harmo	4 / 4	1	150	:
Seq	070	Ascorbic	4 / 4	1	150	:
Seq	071	Doves	4 / 4	1	150	:
Seq	072	Chodal	4 / 4	2	150	:
Seq	073	Simple	4 / 4	2	150	:
Seq	074	Waggle	4 / 4	1	140	:

Категория	№ Арпеджио	Наименование арпеджио	Размер	Длина	Исходный темп	Тип голоса
Seq	075	SuperArp	4 / 4	2	120	Syn Comp/Lead
Seq	076	SpaceArp	4 / 4	2	120	:
Seq	077	StepLine	4 / 4	1	120	:
Seq	078	AcidLine	4 / 4	1	120	:
Seq	079	SplitArp	4 / 4	1	120	:
Seq	080	Step_Seq	4 / 4	1	120	:
Seq	081	TekEcho1	4 / 4	2	120	:
Seq	082	Hardcore	4 / 4	3	150	:
Seq	083	MuteArp1	4 / 4	1	120	:
Seq	084	MuteArp2	4 / 4	1	120	:
Seq	085	VelGruv1	4 / 4	1	134	:
Seq	086	VelGruv2	4 / 4	1	134	:
Seq	087	MuteLine	4 / 4	1	134	:
Seq	088	PolyArp1	4 / 4	1	120	:
Seq	089	PolyArp2	4 / 4	1	120	:
Seq	090	Ana Seq	4 / 4	1	120	:
Seq	091	Planet	4 / 4	1	120	:
Seq	092	Thips	4 / 4	1	100	:
Seq	093	Boiler1	4 / 4	1	120	:
Seq	094	Boiler2	4 / 4	1	120	:
Seq	095	Boiler3	4 / 4	1	120	:
Seq	096	Boiler4	4 / 4	1	110	:
Seq	097	Bees1	4 / 4	1	118	:
Seq	098	Bees2	4 / 4	1	118	:
Seq	099	Bees3	4 / 4	1	118	:
Seq	100	NewR&B2D	4 / 4	2	90	:
Seq	101	NewR&B2E	4 / 4	2	90	:
Seq	102	NewR&B2F	4 / 4	2	90	:
Seq	103	HipHop3D	4 / 4	2	104	:
Seq	104	HipHop3E	4 / 4	2	104	:
Seq	105	HipHop3H	4 / 4	1	104	:
Seq	106	TranceC1	4 / 4	1	140	:
Seq	107	TranceB2	4 / 4	4	140	:
Seq	108	TranceE2	4 / 4	4	140	:
Seq	109	TranceA3	4 / 4	1	140	:
Seq	110	TranceF3	4 / 4	1	140	:
Seq	111	TranceC4	4 / 4	4	140	:
Seq	112	TranceG4	4 / 4	4	140	:
Seq	113	TranceF5	4 / 4	1	140	:
Seq	114	TranceG5	4 / 4	4	140	:
Seq	115	TranceD6	4 / 4	4	140	:
Seq	116	Dream D1	4 / 4	1	136	:
Seq	117	Dream F1	4 / 4	1	136	:
Seq	118	Dream B2	4 / 4	1	136	:
Seq	119	Dream E2	4 / 4	1	136	:
Seq	120	Dream F2	4 / 4	1	136	:
Seq	121	Dream C3	4 / 4	1	136	:
Seq	122	Ibiza E1	4 / 4	2	135	:
Seq	123	Ibiza A1	4 / 4	8	135	:
Seq	124	Ibiza C2	4 / 4	2	135	:
Seq	125	Ibiza E2	4 / 4	2	135	:
Seq	126	Ibiza C3	4 / 4	2	135	:
Seq	127	Ibiza D3	4 / 4	2	135	:
Seq	128	ChllOutD	4 / 4	4	79	:
Seq	129	ChllOutE	4 / 4	2	79	:
Seq	130	ChllOutH	4 / 4	1	79	:
Seq	131	SynPop1B	4 / 4	1	90	:
Seq	132	SynPop1C	4 / 4	1	90	:
Seq	133	SynPop1E	4 / 4	1	90	:
Seq	134	SynPop1A	4 / 4	1	90	:
Seq	135	SynPop1F	4 / 4	1	90	:
Seq	136	RetroPpB	4 / 4	1	126	:
Seq	137	RetroPpD	4 / 4	2	126	:
Seq	138	RetroPpF	4 / 4	1	100	:
Seq	139	Disco C	4 / 4	2	110	:
Seq	140	Disco D	4 / 4	2	110	:
Seq	141	LatinHsB	4 / 4	4	138	:
Seq	142	LatinHsC	4 / 4	2	138	:
ChSq	001	ChdAltB1	4 / 4	1	120	:
ChSq	002	ChdAltB2	4 / 4	1	120	:
ChSq	003	ChdAltB4	4 / 4	1	120	:
ChSq	004	ChdRndm1	4 / 4	1	120	:
ChSq	005	ChdRndm2	4 / 4	1	120	:
ChSq	006	ChdRndm4	4 / 4	1	120	:

Категория	№ Арпеджио	Наименование арпеджио	Размер	Длина	Исходный темп	Тип голоса
ChSq	007	SynChd1	4 / 4	1	130	Syn Comp/Lead
ChSq	008	SynChd2	4 / 4	1	90	:
ChSq	009	SynChd3	4 / 4	1	120	:
ChSq	010	SynChd4	4 / 4	1	130	:
ChSq	011	SynChd5	4 / 4	1	130	:
ChSq	012	SynChd6	4 / 4	1	130	:
ChSq	013	SynChd7	4 / 4	1	130	:
ChSq	014	SynChd8	4 / 4	1	90	:
ChSq	015	SynChd9	4 / 4	1	120	:
ChSq	016	SynChd10	4 / 4	1	116	:
ChSq	017	SynChd11	4 / 4	4	130	:
ChSq	018	SynChd12	4 / 4	1	124	:
ChSq	019	SynChd13	4 / 4	1	140	:
ChSq	020	SynChd14	4 / 4	2	130	:
ChSq	021	SynChd15	4 / 4	2	134	:
ChSq	022	SynChd16	4 / 4	1	138	:
ChSq	023	Syncopa2	4 / 4	2	120	:
ChSq	024	TekEcho2	4 / 4	2	120	:
ChSq	025	Rosync	4 / 4	1	120	:
ChSq	026	Fugue	4 / 4	2	120	:
ChSq	027	Dream A	4 / 4	2	136	:
ChSq	028	Ibiza B	4 / 4	1	135	:
ChSq	029	Ibiza C	4 / 4	2	135	:
ChSq	030	Ibiza D	4 / 4	2	135	:
ChSq	031	Ibiza E	4 / 4	2	135	:
ChSq	032	Ibiza A	4 / 4	8	135	:
ChSq	033	Ibiza G	4 / 4	1	135	:
ChSq	034	Ibiza H	4 / 4	1	135	:
ChSq	035	Garage2C	4 / 4	2	127	:
ChSq	036	Garage2D	4 / 4	2	127	:
ChSq	037	Garage2E	4 / 4	2	127	:
ChSq	038	Garage2A	4 / 4	2	127	:
ChSq	039	Garage2F	4 / 4	2	127	:
ChSq	040	ChllOutB	4 / 4	2	79	:
ChSq	041	ChllOutC	4 / 4	2	79	:
ChSq	042	ChllOutG	4 / 4	1	79	:
HySq	001	Hybrid1	4 / 4	1	130	:
HySq	002	Hybrid2	4 / 4	1	130	:
HySq	003	Hybrid3	4 / 4	1	130	:
HySq	004	Hybrid4	4 / 4	1	130	:
HySq	005	Hybrid5	4 / 4	1	95	:
HySq	006	Hybrid6	4 / 4	1	130	:
HySq	007	Hybrid7	4 / 4	1	130	:
HySq	008	Hybrid8	4 / 4	1	90	:
HySq	009	Hybrid9	4 / 4	1	130	:
HySq	010	Hybrid10	4 / 4	1	130	:
HySq	011	Hybrid11	4 / 4	1	130	:
HySq	012	Hybrid12	4 / 4	1	90	:
HySq	013	Hybrid13	4 / 4	1	130	:
HySq	014	Hybrid14	4 / 4	1	130	:
HySq	015	Hybrid15	4 / 4	1	130	:
HySq	016	Hybrid16	4 / 4	1	106	:
HySq	017	Hybrid17	4 / 4	1	130	:
HySq	018	Hybrid18	4 / 4	1	110	:
HySq	019	Hybrid19	4 / 4	1	100	:
HySq	020	Hybrid20	4 / 4	1	116	:
HySq	021	Hybr1CF1	4 / 4	1	130	:
HySq	022	Hybr1CF2	4 / 4	1	130	:
HySq	023	Hybr1CF3	4 / 4	1	130	:
HySq	024	Hybr1CF4	4 / 4	1	130	:
HySq	025	Hybr3 CF	4 / 4	1	120	:
HySq	026	Hybr21CF	4 / 4	1	100	:
HySq	027	Hybr22CF	4 / 4	1	138	:
HySq	028	Hybr23CF	4 / 4	1	130	:
HySq	029	Hybr24CF	4 / 4	1	130	:
HySq	030	Hybr25CF	4 / 4	1	96	:
HySq	031	HybVel 1*	4 / 4	1	96	:
HySq	032	HybVel 2*	4 / 4	1	96	:
HySq	033	HybVel 3*	4 / 4	1	96	:
HySq	034	HybVel 4*	4 / 4	1	96	:
HySq	035	HybVel 5*	4 / 4	1	96	:
HySq	036	HybVel 6*	4 / 4	1	96	:
HySq	037	HybVel 7*	4 / 4	1	96	:
HySq	038	HybVel 8*	4 / 4	1	96	:
HySq	039	HybVel 9*	4 / 4	2	120	:
HySq	040	HybVel10*	4 / 4	2	120	:

Категория	№ Арпеджио	Наименование арпеджио	Размер	Длина	Исходный темп	Тип голоса
HySq	041	HybVel11*	4 / 4	2	120	Syn Comp/Lead
HySq	042	HybVel12*	4 / 4	2	120	:
HySq	043	HybVel13*	4 / 4	2	120	:
HySq	044	HybVel14*	4 / 4	2	120	:
HySq	045	HybVel15*	4 / 4	2	120	:
HySq	046	HybVel16*	4 / 4	2	120	:
ApKb	001	PfArp1	4 / 4	2	64	A.Piano/E.Piano
ApKb	002	PfArp2	4 / 4	2	74	:
ApKb	003	PfArp3	4 / 4	2	124	:
ApKb	004	PfArp4	4 / 4	2	130	:
ApKb	005	PfArp5	4 / 4	2	130	:
ApKb	006	PfArp6	4 / 4	2	130	:
ApKb	007	PfArp7	4 / 4	2	130	:
ApKb	008	PfArp8	4 / 4	2	65	:
ApKb	009	PfArp9	4 / 4	1	116	:
ApKb	010	PfArp10	4 / 4	1	96	:
ApKb	011	PfArp11	4 / 4	1	82	:
ApKb	012	PfArp12	4 / 4	1	90	:
ApKb	013	PfArp13	4 / 4	1	90	:
ApKb	014	PfArp14	4 / 4	1	90	:
ApKb	015	PfArp15	4 / 4	1	90	:
ApKb	016	PfArp16	4 / 4	1	90	:
ApKb	017	PfArp17	4 / 4	1	100	:
ApKb	018	PfArp18	4 / 4	1	90	:
ApKb	019	PfArp19	4 / 4	1	84	:
ApKb	020	PfArp20	4 / 4	1	90	:
ApKb	021	PfArp21	4 / 4	1	86	:
ApKb	022	PfArp22	4 / 4	1	90	:
ApKb	023	PfArp23	4 / 4	1	90	:
ApKb	024	PfArp24	4 / 4	2	130	:
ApKb	025	PfArp25	4 / 4	2	130	:
ApKb	026	PfArp26	4 / 4	2	130	:
ApKb	027	PfArp27	4 / 4	2	130	:
ApKb	028	PfArp28	4 / 4	2	120	:
ApKb	029	PfArp29	4 / 4	1	74	:
ApKb	030	BlldEP1	4 / 4	2	74	Electric Piano
ApKb	031	BlldEP2	4 / 4	2	74	:
ApKb	032	BlldEP3	4 / 4	2	74	:
ApKb	033	EpChords	4 / 4	2	101	:
ApKb	034	SwingEP	4 / 4	1	101	:
ApKb	035	Clavi1	4 / 4	1	110	Clavi
ApKb	036	Clavi2	4 / 4	1	110	:
ApKb	037	Clavi3	4 / 4	1	110	:
ApKb	038	Clavi4	4 / 4	1	124	:
ApKb	039	Clavi5	4 / 4	1	124	:
ApKb	040	Clavi6	4 / 4	1	124	:
ApKb	041	Clavi7	4 / 4	1	124	:
ApKb	042	SuperClv	4 / 4	4	101	:
ApKb	043	TouchClv	4 / 4	1	101	:
ApKb	044	SynClavi	4 / 4	1	126	:
ApKb	045	RocknPf	4 / 4	4	130	Acoustic Piano
ApKb	046	70sRockB	4 / 4	2	130	:
ApKb	047	70sRockC	4 / 4	1	130	:
ApKb	048	70sRockD	4 / 4	2	130	:
ApKb	049	70sRockE	4 / 4	4	130	:
ApKb	050	70sRockF	4 / 4	2	130	:
ApKb	051	70sRockG	4 / 4	1	130	:
ApKb	052	70sRockH	4 / 4	1	130	:
ApKb	053	PnClubD1	4 / 4	1	96	:
ApKb	054	PnClubE1	4 / 4	1	96	:
ApKb	055	PnClubA1	4 / 4	1	96	:
ApKb	056	PnClubE2	4 / 4	2	96	:
ApKb	057	PnClubA2	4 / 4	2	96	:
ApKb	058	PnClubD3	4 / 4	2	96	Electric Piano
ApKb	059	PnClubA3	4 / 4	2	96	:
ApKb	060	Slowfl B	4 / 4	1	74	:
ApKb	061	Slowfl C	4 / 4	1	74	:
ApKb	062	Slowfl D	4 / 4	1	74	:
ApKb	063	Slowfl E	4 / 4	1	74	:
ApKb	064	Slowfl F	4 / 4	1	74	:
ApKb	065	Slowfl H	4 / 4	1	74	:
ApKb	066	AnaPopC1	4 / 4	2	93	:
ApKb	067	AnaPopD2	4 / 4	2	93	Clavi
ApKb	068	AnaPopA2	4 / 4	1	93	:
ApKb	069	Soul B	4 / 4	2	117	Acoustic Piano
ApKb	070	Soul C	4 / 4	1	117	:

Категория	№ Арпеджио	Наименование арпеджио	Размер	Длина	Исходный темп	Тип голоса
ApKb	071	Soul D	4 / 4	4	117	Acoustic Piano
ApKb	072	Soul E	4 / 4	4	117	:
ApKb	073	Soul F	4 / 4	4	117	:
ApKb	074	CoolFnkE	4 / 4	2	96	Electric Piano
ApKb	075	CoolFnkA	4 / 4	2	96	:
ApKb	076	CoolFnkG	4 / 4	1	96	:
ApKb	077	CoolFnkH	4 / 4	1	96	:
ApKb	078	Smooth1C	4 / 4	2	115	:
ApKb	079	Smooth1D	4 / 4	2	115	:
ApKb	080	HipHp1B1	4 / 4	2	105	Harpichord
ApKb	081	HipHp1C1	4 / 4	2	105	:
ApKb	082	HipHp1D1	4 / 4	2	105	:
ApKb	083	HipHp1H1	4 / 4	1	105	:
ApKb	084	HipHp1B2	4 / 4	2	105	Clavi
ApKb	085	HipHp1C2	4 / 4	2	105	:
ApKb	086	HipHp1D2	4 / 4	2	105	:
ApKb	087	HipHop1H2	4 / 4	1	105	:
ApKb	088	HipHop2F	4 / 4	2	94	:
ApKb	089	ClisHipB1	4 / 4	1	90	Acoustic Piano
ApKb	090	ClisHipC1	4 / 4	1	90	:
ApKb	091	ClisHipA2	4 / 4	2	90	Electric Piano
ApKb	092	NewGos B	4 / 4	2	90	:
ApKb	093	NewGos C	4 / 4	2	90	:
ApKb	094	NewGos D	4 / 4	2	90	:
ApKb	095	NewGos E	4 / 4	2	90	:
ApKb	096	NewGos F	4 / 4	2	90	:
ApKb	097	NewGos G	4 / 4	1	90	:
ApKb	098	6/8R&BB1	4 / 4	2	61	Acoustic Piano
ApKb	099	6/8R&BC1	4 / 4	2	61	:
ApKb	100	6/8R&BD1	4 / 4	2	61	:
ApKb	101	6/8R&BE1	4 / 4	2	61	:
ApKb	102	6/8R&BA1	4 / 4	2	61	:
ApKb	103	6/8R&BG1	4 / 4	1	61	:
ApKb	104	6/8R&BH1	4 / 4	1	61	:
ApKb	105	6/8R&BB2	4 / 4	2	61	Electric Piano
ApKb	106	6/8R&BC2	4 / 4	2	61	:
ApKb	107	6/8R&BD2	4 / 4	2	61	:
ApKb	108	6/8R&BE2	4 / 4	2	61	:
ApKb	109	6/8R&BA2	4 / 4	2	61	:
ApKb	110	6/8R&BG2	4 / 4	1	61	:
ApKb	111	6/8R&BH2	4 / 4	1	61	:
ApKb	112	CmbJazzB	4 / 4	4	204	Acoustic Piano
ApKb	113	CmbJazzC	4 / 4	4	204	:
ApKb	114	CmbJazzD	4 / 4	4	204	:
ApKb	115	CmbJazzE	4 / 4	4	204	:
ApKb	116	CmbJazzG	4 / 4	1	204	:
ApKb	117	ClubHs E	4 / 4	1	128	Electric Piano
ApKb	118	ClubHs F	4 / 4	2	128	:
ApKb	119	Garage2B	4 / 4	2	127	:
ApKb	120	Disco B	4 / 4	2	110	:
ApKb	121	Disco E	4 / 4	2	110	:
ApKb	122	Disco F	4 / 4	2	110	:
ApKb	123	Disco H	4 / 4	1	110	:
ApKb	124	HousePf1	4 / 4	2	130	Acoustic Piano
ApKb	125	HousePf2	4 / 4	1	130	:
ApKb	126	HousePf3	4 / 4	1	130	:
ApKb	127	HousePf4	4 / 4	1	130	:
ApKb	128	HousePf5	4 / 4	1	130	:
ApKb	129	DAHouse	4 / 4	2	120	:
ApKb	130	LatinHsA	4 / 4	2	138	:
ApKb	131	LatinHsF	4 / 4	2	138	:
ApKb	132	LatinHsG	4 / 4	2	138	:
ApKb	133	LatnRkB1	4 / 4	2	120	:
ApKb	134	LatnRkE1	4 / 4	4	120	:
ApKb	135	LatnRkH1	4 / 4	1	120	:
ApKb	136	LatnRkD2	4 / 4	2	120	:
ApKb	137	LatnRkG2	4 / 4	1	120	:
ApKb	138	Samba B	4 / 4	1	114	:
ApKb	139	Samba C	4 / 4	4	114	:
ApKb	140	Samba D	4 / 4	4	114	:
ApKb	141	PnoLatin	4 / 4	2	120	:
ApKb	142	Salsa B	4 / 4	1	123	:
ApKb	143	Salsa C	4 / 4	1	123	:
ApKb	144	Salsa D	4 / 4	2	123	:
ApKb	145	Salsa E	4 / 4	4	123	:
ApKb	146	Salsa F	4 / 4	2	123	:

Категория	№ Арпеджио	Наименование арпеджио	Размер	Длина	Исходный темп	Тип голоса
ApKb	147	MontunoB	4 / 4	1	100	Acoustic Piano
ApKb	148	MontunoD	4 / 4	2	100	:
ApKb	149	MontunoE	4 / 4	2	100	:
ApKb	150	MontunoF	4 / 4	1	100	:
ApKb	151	MontunoG	4 / 4	1	100	:
ApKb	152	Regge2C1	4 / 4	2	92	Electric Piano
ApKb	153	Regge2E1	4 / 4	2	92	:
ApKb	154	Regge2G1	4 / 4	1	92	:
ApKb	155	Regge2H1	4 / 4	1	92	:
ApKb	156	Regge2B2	4 / 4	2	92	Clavi
ApKb	157	Regge2C2	4 / 4	2	92	:
ApKb	158	Regge2E2	4 / 4	2	92	:
ApKb	159	Regge2A2	4 / 4	2	92	:
ApKb	160	Regge2G2	4 / 4	1	92	:
Orgn	001	FunkOrg1**	4 / 4	2	110	Organ
Orgn	002	FunkOrg2**	4 / 4	2	110	:
Orgn	003	Funk2 C	4 / 4	4	130	:
Orgn	004	Soul B	4 / 4	1	117	:
Orgn	005	Soul C	4 / 4	4	117	:
Orgn	006	Soul H	4 / 4	1	117	:
Orgn	007	HipHop1E	4 / 4	2	105	:
Orgn	008	HipHop1F	4 / 4	2	105	:
Orgn	009	HouseOr1	4 / 4	1	130	:
Orgn	010	HouseOr2	4 / 4	1	130	:
Orgn	011	HouseOr3	4 / 4	1	130	:
Orgn	012	HouseOr4	4 / 4	1	130	:
Orgn	013	HouseOr5	4 / 4	2	126	:
Orgn	014	LatinOrg**	4 / 4	1	110	:
Orgn	015	LatinRkB	4 / 4	2	120	:
Orgn	016	LatinRkC	4 / 4	2	120	:
Orgn	017	ReggeOr1**	4 / 4	2	120	:
Orgn	018	ReggeOr2**	4 / 4	1	120	:
Orgn	019	Reggae1B	4 / 4	4	102	:
Orgn	020	Reggae1C	4 / 4	4	102	:
Orgn	021	Reggae1E	4 / 4	4	90	:
Orgn	022	Reggae1H	4 / 4	1	102	:
Orgn	023	Reggae2B	4 / 4	1	92	:
Orgn	024	Reggae2C	4 / 4	2	92	:
Orgn	025	Reggae2D	4 / 4	2	92	:
Orgn	026	Reggae2E	4 / 4	1	92	:
Orgn	027	Reggae2A	4 / 4	2	92	:
Orgn	028	Reggae2H	4 / 4	1	92	:
GtPl	001	Strum1	4 / 4	1	120	Acoustic Guitar
GtPl	002	Strum2	4 / 4	2	120	:
GtPl	003	Strum3	4 / 4	4	120	:
GtPl	004	Strum4	4 / 4	2	120	:
GtPl	005	Strum5	4 / 4	2	120	:
GtPl	006	Strum6	4 / 4	2	120	:
GtPl	007	Strum7	4 / 4	2	120	:
GtPl	008	Strum8	4 / 4	2	120	:
GtPl	009	Strum9	4 / 4	2	120	:
GtPl	010	Strum10	4 / 4	2	120	:
GtPl	011	RolliArp	4 / 4	4	60	:
GtPl	012	12Guitr1	4 / 4	1	97	:
GtPl	013	12Guitr2	4 / 4	1	100	:
GtPl	014	Pickin1	4 / 4	3	120	:
GtPl	015	Pickin2	4 / 4	2	120	:
GtPl	016	Pickin3	4 / 4	2	120	:
GtPl	017	Guit1Arp	4 / 4	1	120	:
GtPl	018	Guit2Arp	4 / 4	1	120	Clean Guitar
GtPl	019	Guit3Arp	4 / 4	1	120	:
GtPl	020	Guit4Arp	4 / 4	1	120	:
GtPl	021	CleanGt1	4 / 4	2	120	:
GtPl	022	CleanGt2	4 / 4	2	120	:
GtPl	023	CleanGt3	4 / 4	2	120	:
GtPl	024	CleanGt4	4 / 4	2	120	:
GtPl	025	Funky1	4 / 4	2	120	:
GtPl	026	Funky2	4 / 4	2	120	:
GtPl	027	Funky3	4 / 4	2	120	:
GtPl	028	Funky4	4 / 4	1	120	:
GtPl	029	FunkGtr	4 / 4	2	116	:
GtPl	030	Spanky	4 / 4	2	105	:
GtPl	031	News1	4 / 4	2	120	:
GtPl	032	News2	4 / 4	2	120	:
GtPl	033	RockGtr1	4 / 4	1	120	Od/Dist Guitar
GtPl	034	RockGtr2	4 / 4	1	120	:

Категория	№ Арпеджио	Наименование арпеджио	Размер	Длина	Исходный темп	Тип голоса
GtPI	035	RockGtr3	4 / 4	1	120	Od/Dist Guitar
GtPI	036	Lick1	4 / 4	4	120	:
GtPI	037	Lick2	4 / 4	4	120	:
GtPI	038	Lick3	4 / 4	4	120	:
GtPI	039	Lick4	4 / 4	2	120	:
GtPI	040	Lick5	4 / 4	4	120	:
GtPI	041	Lick6	4 / 4	1	120	:
GtPI	042	Slowfl B	4 / 4	1	74	Acoustic Guitar
GtPI	043	Slowfl C	4 / 4	1	74	:
GtPI	044	Slowfl E	4 / 4	1	74	Mute Guitar
GtPI	045	GtrPopB1	4 / 4	2	90	Acoustic Guitar
GtPI	046	GtrPopC1	4 / 4	1	90	:
GtPI	047	GtrPopD1	4 / 4	2	90	:
GtPI	048	GtrPopA1	4 / 4	1	90	:
GtPI	049	GtrPopB2	4 / 4	1	90	:
GtPI	050	GtrPopA2	4 / 4	1	90	:
GtPI	051	FngrPckB	4 / 4	2	94	:
GtPI	052	FngrPckC	4 / 4	2	94	:
GtPI	053	FngrPckD	4 / 4	2	94	:
GtPI	054	FngrPckE	4 / 4	3	94	:
GtPI	055	FngrPckA	4 / 4	1	94	:
GtPI	056	FngrPckG	4 / 4	1	94	:
GtPI	057	FngrPckH	4 / 4	1	94	:
GtPI	058	XovrRkD1	4 / 4	2	100	Distortion Gt
GtPI	059	XovrRkE1	4 / 4	2	100	:
GtPI	060	XovrRkF1	4 / 4	2	100	:
GtPI	061	XovrRkH1	4 / 4	1	100	:
GtPI	062	XovrRkB2	4 / 4	2	100	Jazz Guitar
GtPI	063	XovrRkC2	4 / 4	1	100	:
GtPI	064	XovrRkA2	4 / 4	2	100	:
GtPI	065	XovrRkG2	4 / 4	1	100	:
GtPI	066	Smooth1B	4 / 4	2	115	Acoustic Guitar
GtPI	067	Smooth1C	4 / 4	2	115	:
GtPI	068	Smooth1D	4 / 4	2	115	:
GtPI	069	Smooth1E	4 / 4	2	115	:
GtPI	070	Smooth1A	4 / 4	1	115	:
GtPI	071	Smooth1F	4 / 4	2	115	:
GtPI	072	Smooth1G	4 / 4	1	115	:
GtPI	073	Smooth1H	4 / 4	1	115	:
GtPI	074	NewR&B2B	4 / 4	2	90	:
GtPI	075	NewR&B2C	4 / 4	2	90	:
GtPI	076	NewR&B2D	4 / 4	2	90	:
GtPI	077	NewR&B2E	4 / 4	2	90	:
GtPI	078	FipHp1B1	4 / 4	1	132	Mute Guitar
GtPI	079	FipHp1C1	4 / 4	2	132	:
GtPI	080	FipHp1D1	4 / 4	2	132	:
GtPI	081	FipHp1E1	4 / 4	2	132	:
GtPI	082	FipHp1F1	4 / 4	1	132	:
GtPI	083	FipHp1G1	4 / 4	1	132	:
GtPI	084	FipHp1B2	4 / 4	1	132	Acoustic Guitar
GtPI	085	FipHp1C2	4 / 4	1	132	:
GtPI	086	FipHp1F2	4 / 4	2	132	:
GtPI	087	HipHop2B	4 / 4	2	94	Mute Guitar
GtPI	088	HipHop2D	4 / 4	2	94	:
GtPI	089	HipHop2E	4 / 4	2	94	:
GtPI	090	HipHop2A	4 / 4	2	94	:
GtPI	091	HipHp3B1	4 / 4	2	104	Acoustic Guitar
GtPI	092	HipHp3C1	4 / 4	2	104	:
GtPI	093	HipHp3D1	4 / 4	2	104	:
GtPI	094	HipHp3E1	4 / 4	2	104	:
GtPI	095	HipHp3F1	4 / 4	2	104	:
GtPI	096	HipHp3B2	4 / 4	2	104	Mute Guitar
GtPI	097	HipHp3C2	4 / 4	2	104	:
GtPI	098	HipHp3E2	4 / 4	2	104	:
GtPI	099	HipHp3F2	4 / 4	2	104	:
GtPI	100	HipHp3G2	4 / 4	1	104	:
GtPI	101	NewGos B	4 / 4	2	90	:
GtPI	102	NewGos C	4 / 4	2	90	:
GtPI	103	NewGos D	4 / 4	2	90	:
GtPI	104	NewGos E	4 / 4	2	90	:
GtPI	105	NewGos A	4 / 4	1	90	:
GtPI	106	NewGos F	4 / 4	2	90	:
GtPI	107	NewGos G	4 / 4	1	90	:
GtPI	108	NewGos H	4 / 4	1	90	:
GtPI	109	6/8R&B E	4 / 4	2	61	Clean Guitar
GtPI	110	6/8R&B F	4 / 4	2	61	:

Категория	№ Арпеджио	Наименование арпеджио	Размер	Длина	Исходный темп	Тип голоса
GtPI	111	6/8R&B G	4 / 4	1	61	Clean Guitar
GtPI	112	6/8R&B H	4 / 4	1	61	:
GtPI	113	CmbJazzB	4 / 4	4	204	Jazz Guitar
GtPI	114	CmbJazzC	4 / 4	4	204	:
GtPI	115	CmbJazzD	4 / 4	4	204	:
GtPI	116	CmbJazzE	4 / 4	4	204	:
GtPI	117	CmbJazzA	4 / 4	4	204	:
GtPI	118	CmbJazzF	4 / 4	4	204	:
GtPI	119	CmbJazzG	4 / 4	1	204	:
GtPI	120	CmbJazzH	4 / 4	1	204	:
GtPI	121	ChllOutB	4 / 4	2	79	Clean Guitar
GtPI	122	Disco C	4 / 4	2	110	Mute Guitar
GtPI	123	Disco D	4 / 4	2	110	:
GtPI	124	Disco E	4 / 4	2	110	:
GtPI	125	Disco F	4 / 4	2	110	:
GtPI	126	Disco H	4 / 4	1	110	:
GtPI	127	LatinRkD	4 / 4	2	120	Clean Guitar
GtPI	128	LatinRkH	4 / 4	1	120	:
GtPI	129	LatinPH1	4 / 4	2	120	Acoustic Guitar
GtPI	130	LatinPH2	4 / 4	2	120	:
GtPI	131	LatinPH3	4 / 4	1	120	:
GtPI	132	Samba B	4 / 4	4	114	:
GtPI	133	Samba C	4 / 4	4	114	:
GtPI	134	Samba E	4 / 4	4	114	:
GtPI	135	Samba A	4 / 4	2	114	:
GtPI	136	MontunoB	4 / 4	2	100	:
GtPI	137	MontunoC	4 / 4	2	100	:
GtPI	138	MontnoD1	4 / 4	2	100	:
GtPI	139	MontnoD2	4 / 4	4	100	:
GtPI	140	MontnoE1	4 / 4	2	100	:
GtPI	141	MontnoE2	4 / 4	2	100	:
GtPI	142	MontunoA	4 / 4	2	100	:
GtPI	143	MontunoF	4 / 4	1	100	:
GtPI	144	MontunoG	4 / 4	1	100	:
GtPI	145	Regge1B1	4 / 4	1	102	Clean Guitar
GtPI	146	Regge1C1	4 / 4	2	102	:
GtPI	147	Regge1E1	4 / 4	2	90	:
GtPI	148	Regge1A1	4 / 4	1	102	:
GtPI	149	Regge1F1	4 / 4	2	96	:
GtPI	150	Regge1B2	4 / 4	4	102	Mute Guitar
GtPI	151	Regge1C2	4 / 4	4	102	:
GtPI	152	Reggae2B	4 / 4	2	92	Clean Guitar
GtPI	153	Reggae2C	4 / 4	1	92	:
GtPI	154	Reggae2A	4 / 4	2	92	:
GtPI	155	SpanshB1	4 / 4	2	120	Acoustic Guitar
GtPI	156	SpanshC1	4 / 4	2	120	:
GtPI	157	SpanshE1	4 / 4	2	120	:
GtPI	158	SpanshG1	4 / 4	1	120	:
GtPI	159	SpanshH1	4 / 4	1	120	:
GtPI	160	SpanshA2	4 / 4	4	120	:
GtPI	161	SpanshF2	4 / 4	3	120	:
GtPI	162	TurkshC1	4 / 4	2	105	Kanun
GtPI	163	TurkshE1	9 / 8	2	125	:
GtPI	164	TurkshA1	4 / 4	2	86	:
GtPI	165	TurkshF1	4 / 4	2	105	:
GtPI	166	TurkshG2	4 / 4	2	105	Oud
GtPI	167	TurkshB3	4 / 4	2	105	Saz
GtPI	168	Harp1	4 / 4	2	120	Harp
GtPI	169	Harp2	4 / 4	2	120	:
GtPI	170	Harp3	4 / 4	1	120	:
GtPI	171	Harp4	4 / 4	1	120	:
GtPI	172	NewR&B1D	4 / 4	1	97	:
GtPI	173	NewR&B1E	4 / 4	1	97	:
GtPI	174	HipHp3E3	4 / 4	2	104	:
GtKM	001	KM StGt1	4 / 4	4	138	"Mega Steel"
GtKM	002	KM StGt2	4 / 4	4	138	:
GtKM	003	KM StGt3	4 / 4	4	138	:
GtKM	004	KM StGt4	4 / 4	4	138	:
GtKM	005	Unplug B	4 / 4	4	120	:
GtKM	006	Unplug C	4 / 4	2	120	:
GtKM	007	Unplug D	4 / 4	2	120	:
GtKM	008	Unplug E	4 / 4	2	120	:
GtKM	009	Unplug G	4 / 4	1	120	:
GtKM	010	Unplug H	4 / 4	1	120	:
GtKM	011	FolkRkB1	4 / 4	2	118	:
GtKM	012	FolkRkC1	4 / 4	2	118	:

Категория	№ Арпеджио	Наименование арпеджио	Размер	Длина	Исходный темп	Тип голоса
GtKM	013	FolkRkA1	4 / 4	1	118	"Mega Steel"
GtKM	014	SoftRkB1	4 / 4	4	75	:
GtKM	015	SoftRkC1	4 / 4	4	75	:
GtKM	016	SoftRkD1	4 / 4	2	75	:
GtKM	017	SoftRkE1	4 / 4	2	75	:
GtKM	018	SoftRkA1	4 / 4	1	75	:
GtKM	019	SoftRkG1	4 / 4	1	75	:
GtKM	020	SoftRkH1	4 / 4	1	75	:
GtKM	021	FngrPckB	4 / 4	2	94	:
GtKM	022	FngrPckC	4 / 4	2	94	:
GtKM	023	FngrPckD	4 / 4	2	94	:
GtKM	024	FngrPckE	4 / 4	2	94	:
GtKM	025	FngrPckA	4 / 4	2	94	:
GtKM	026	FngrPckG	4 / 4	1	94	:
GtKM	027	FngrPckH	4 / 4	1	94	:
GtKM	028	NewR&B1B	4 / 4	1	97	:
GtKM	029	NewR&B1C	4 / 4	1	97	:
GtKM	030	NewR&B1D	4 / 4	1	97	:
GtKM	031	NewR&B1A	4 / 4	2	97	:
GtKM	032	NewR&B1G	4 / 4	1	97	:
GtKM	033	NewR&B1H	4 / 4	1	97	:
GtKM	034	ChllOutB	4 / 4	1	79	:
GtKM	035	ChllOutD	4 / 4	2	79	:
GtKM	036	ChllOutE	4 / 4	2	79	:
GtKM	037	ChllOutC	4 / 4	2	79	:
GtKM	038	RtroPpB1	4 / 4	2	126	:
GtKM	039	LatinRkC	4 / 4	1	120	:
GtKM	040	LatinRkD	4 / 4	2	120	:
GtKM	041	SpanishB	4 / 4	2	120	:
GtKM	042	SpanishC	4 / 4	2	120	:
GtKM	043	SpanishD	4 / 4	2	120	:
GtKM	044	SpanishE	4 / 4	2	120	:
GtKM	045	SpanishA	4 / 4	4	120	:
GtKM	046	SpanishG	4 / 4	1	120	:
GtKM	047	SpanishH	4 / 4	1	120	:
GtKM	048	KM 12Gt1	4 / 4	4	118	"Mega 12str"
GtKM	049	KM 12Gt2	4 / 4	4	118	:
GtKM	050	KM 12Gt3	4 / 4	4	118	:
GtKM	051	KM 12Gt4	4 / 4	4	118	:
GtKM	052	KM 12Gt5	4 / 4	4	118	:
GtKM	053	FolkRkB2	4 / 4	2	118	:
GtKM	054	FolkRkC2	4 / 4	2	118	:
GtKM	055	FolkRkD2	4 / 4	2	118	:
GtKM	056	FolkRkA2	4 / 4	1	118	:
GtKM	057	KM CIGt1	4 / 4	4	107	"Mega Clean"
GtKM	058	KM CIGt2	4 / 4	4	107	:
GtKM	059	KM CIGt3	4 / 4	4	107	:
GtKM	060	KM CIGt4	4 / 4	4	107	:
GtKM	061	KM CIGt5	4 / 4	4	107	:
GtKM	062	Funk2 B	4 / 4	2	130	:
GtKM	063	Funk2 C	4 / 4	2	130	:
GtKM	064	Funk2 D	4 / 4	1	130	:
GtKM	065	Funk2 E	4 / 4	2	130	:
GtKM	066	Funk2 A	4 / 4	2	130	:
GtKM	067	Funk2 F	4 / 4	1	130	:
GtKM	068	Funk2 H	4 / 4	1	130	:
GtKM	069	Funk3 B	4 / 4	2	132	:
GtKM	070	Funk3 C	4 / 4	1	132	:
GtKM	071	Funk3 D	4 / 4	1	132	:
GtKM	072	Funk3 E	4 / 4	4	132	:
GtKM	073	Funk3 A	4 / 4	1	132	:
GtKM	074	Funk3 F	4 / 4	2	132	:
GtKM	075	Funk3 H	4 / 4	1	132	:
GtKM	076	CoolFnkB	4 / 4	2	96	:
GtKM	077	CoolFnkC	4 / 4	1	96	:
GtKM	078	CoolFnkE	4 / 4	2	96	:
GtKM	079	CoolFnkA	4 / 4	2	96	:
GtKM	080	CoolFnkF	4 / 4	1	96	:
GtKM	081	Soul B	4 / 4	1	117	:
GtKM	082	Soul C	4 / 4	1	117	:
GtKM	083	Soul D	4 / 4	1	117	:
GtKM	084	Soul E	4 / 4	4	117	:
GtKM	085	Soul F	4 / 4	4	117	:
GtKM	086	ClisHipC1	4 / 4	2	90	:
GtKM	087	ClisHipD1	4 / 4	2	90	:
GtKM	088	ClisHipB2	4 / 4	2	90	:

Категория	№ Арпеджио	Наименование арпеджио	Размер	Длина	Исходный темп	Тип голоса
GtKM	089	ClisHipC2	4 / 4	2	90	"Mega Clean"
GtKM	090	ClisHipD2	4 / 4	2	90	:
GtKM	091	ClisHipA2	4 / 4	4	90	:
GtKM	092	ClisHipE3	4 / 4	2	90	:
GtKM	093	ClisHipF3	4 / 4	2	90	:
GtKM	094	70sRckB1	4 / 4	2	130	:
GtKM	095	70sRckC1	4 / 4	2	130	:
GtKM	096	70sRckD1	4 / 4	4	130	:
GtKM	097	70sRckE1	4 / 4	2	130	:
GtKM	098	FolkRkD3	4 / 4	2	118	:
GtKM	099	FolkRkE3	4 / 4	2	118	:
GtKM	100	FolkRkG3	4 / 4	1	118	:
GtKM	101	AnaPop B	4 / 4	2	93	:
GtKM	102	AnaPop D	4 / 4	1	93	:
GtKM	103	AnaPop A	4 / 4	1	93	:
GtKM	104	ClubHs B	4 / 4	2	128	:
GtKM	105	ClubHs C	4 / 4	2	128	:
GtKM	106	ClubHs D	4 / 4	2	128	:
GtKM	107	ClubHs E	4 / 4	2	128	:
GtKM	108	ClubHs A	4 / 4	4	128	:
GtKM	109	ClubHs F	4 / 4	4	128	:
GtKM	110	ClubHs G	4 / 4	1	128	:
GtKM	111	ClubHs H	4 / 4	1	128	:
GtKM	112	RtroPpB2	4 / 4	2	126	:
GtKM	113	KM OdGt1	4 / 4	4	120	"Mega OvrDv"
GtKM	114	KM OdGt2	4 / 4	4	120	:
GtKM	115	KM OdGt3	4 / 4	4	120	:
GtKM	116	KM OdGt4	4 / 4	4	120	:
GtKM	117	KM OdGt5	4 / 4	4	120	:
GtKM	118	70sRckC2	4 / 4	4	130	:
GtKM	119	70sRckD2	4 / 4	2	130	:
GtKM	120	70sRckE2	4 / 4	2	130	:
GtKM	121	70sRckF2	4 / 4	2	130	:
GtKM	122	70sRckB3	4 / 4	2	130	"Mega Dist"
GtKM	123	70sRckC3	4 / 4	2	130	:
GtKM	124	70sRckD3	4 / 4	1	130	:
GtKM	125	70sRckE3	4 / 4	4	130	:
GtKM	126	SoftRkE2	4 / 4	2	75	:
GtKM	127	SoftRkH2	4 / 4	1	75	:
GtKM	128	OverTop1	4 / 4	2	120	"OverTheTop"
GtKM	129	OverTop2	4 / 4	2	120	:
GtKM	130	OverTop3	4 / 4	2	120	:
GtKM	131	OverTop4	4 / 4	4	120	:
GtKM	132	OverTop5	4 / 4	4	120	:
Bass	001	FngrBas1	4 / 4	1	115	Finger Bass
Bass	002	FngrBas2	4 / 4	1	115	:
Bass	003	FngrBas3	4 / 4	3	115	:
Bass	004	FngrBas4	4 / 4	1	115	:
Bass	005	FngrBas5	4 / 4	1	115	:
Bass	006	FngrBas6	4 / 4	1	115	:
Bass	007	FngrBas7	4 / 4	2	120	:
Bass	008	FngrBas8	4 / 4	2	150	:
Bass	009	FngrBas9	4 / 4	2	150	:
Bass	010	FngrBa10	4 / 4	2	89	:
Bass	011	FngrBa11	4 / 4	2	89	:
Bass	012	FngrBa12	4 / 4	1	115	:
Bass	013	FngrBa13	4 / 4	1	115	:
Bass	014	FngrBa14	4 / 4	1	115	:
Bass	015	PnoClubB	4 / 4	2	96	:
Bass	016	PnoClubC	4 / 4	2	96	:
Bass	017	PnoClubD	4 / 4	2	96	:
Bass	018	PnoClubE	4 / 4	1	96	:
Bass	019	PnoClubA	4 / 4	2	96	:
Bass	020	PnoClubF	4 / 4	4	96	:
Bass	021	PnoClubG	4 / 4	1	96	:
Bass	022	PnoClubH	4 / 4	1	96	:
Bass	023	CoolFnkB	4 / 4	2	96	:
Bass	024	CoolFnkC	4 / 4	2	96	:
Bass	025	CoolFnkD	4 / 4	2	96	:
Bass	026	CoolFnkE	4 / 4	4	96	:
Bass	027	CoolFnkA	4 / 4	2	96	:
Bass	028	CoolFnkF	4 / 4	1	96	:
Bass	029	CoolFnkG	4 / 4	1	96	:
Bass	030	CoolFnkH	4 / 4	1	96	:
Bass	031	SlapBas1	4 / 4	3	120	Slap Bass
Bass	032	SlapBas2	4 / 4	1	120	:

Категория	№ Арпеджио	Наименование арпеджио	Размер	Длина	Исходный темп	Тип голоса
Bass	033	Walkin	4 / 4	3	103	Acoustic Bass
Bass	034	CmbJazB1	4 / 4	4	204	:
Bass	035	CmbJazB2	4 / 4	4	204	:
Bass	036	CmbJazB3	4 / 4	4	204	:
Bass	037	CmbJazB4	4 / 4	4	204	:
Bass	038	CmbJazC1	4 / 4	4	204	:
Bass	039	CmbJazC2	4 / 4	4	204	:
Bass	040	CmbJazC3	4 / 4	4	204	:
Bass	041	CmbJazC4	4 / 4	4	204	:
Bass	042	CmbJazD1	4 / 4	4	204	:
Bass	043	CmbJazD2	4 / 4	4	204	:
Bass	044	CmbJazD3	4 / 4	4	204	:
Bass	045	CmbJazD4	4 / 4	4	204	:
Bass	046	CmbJazE1	4 / 4	4	204	:
Bass	047	CmbJazE2	4 / 4	4	204	:
Bass	048	CmbJazE3	4 / 4	4	204	:
Bass	049	CmbJazE4	4 / 4	4	204	:
Bass	050	CmbJazzA	4 / 4	4	204	:
Bass	051	CmbJazzF	4 / 4	4	204	:
Bass	052	CmbJazzG	4 / 4	1	204	:
Bass	053	CmbJazzH	4 / 4	1	204	:
Bass	054	GruvBass	4 / 4	2	120	Synth Bass
Bass	055	SynBass1	4 / 4	1	120	:
Bass	056	SynBass2	4 / 4	1	120	:
Bass	057	SynBass3	4 / 4	1	120	:
Bass	058	SynBass4	4 / 4	1	120	:
Bass	059	SynBass5	4 / 4	1	120	:
Bass	060	NewR&B1B	4 / 4	1	97	:
Bass	061	NewR&B1C	4 / 4	1	97	:
Bass	062	NewR&B1D	4 / 4	1	97	:
Bass	063	NewR&B1E	4 / 4	1	97	:
Bass	064	NewR&B1A	4 / 4	2	97	:
Bass	065	NewR&B1F	4 / 4	2	97	:
Bass	066	NewR&B1G	4 / 4	1	97	:
Bass	067	NewR&B1H	4 / 4	1	97	:
Bass	068	NewR&B2C	4 / 4	2	90	:
Bass	069	NewR&B2D	4 / 4	2	90	:
Bass	070	NewR&B2E	4 / 4	2	90	:
Bass	071	NewR&B2A	4 / 4	2	90	:
Bass	072	NewR&B2F	4 / 4	2	90	:
Bass	073	NewR&B2G	4 / 4	1	90	:
Bass	074	NewR&B2H	4 / 4	1	90	:
Bass	075	FlipHp1B	4 / 4	2	132	:
Bass	076	FlipHp1C	4 / 4	2	132	:
Bass	077	FlipHp1D	4 / 4	2	132	:
Bass	078	FlipHp1E	4 / 4	2	132	:
Bass	079	FlipHp1A	4 / 4	2	132	:
Bass	080	HipHop1B	4 / 4	2	105	:
Bass	081	HipHop1C	4 / 4	2	105	:
Bass	082	HipHop1D	4 / 4	2	105	:
Bass	083	HipHop1E	4 / 4	2	105	:
Bass	084	HipHop1F	4 / 4	2	105	:
Bass	085	HipHop1G	4 / 4	1	105	:
Bass	086	HipHop1H	4 / 4	1	105	:
Bass	087	HipHop2B	4 / 4	2	94	:
Bass	088	HipHop2C	4 / 4	2	94	:
Bass	089	HipHop2D	4 / 4	2	94	:
Bass	090	HipHop2E	4 / 4	2	94	:
Bass	091	HipHop2F	4 / 4	2	94	:
Bass	092	HipHop2G	4 / 4	1	94	:
Bass	093	HipHop2H	4 / 4	1	94	:
Bass	094	HipHop3B	4 / 4	2	104	:
Bass	095	HipHop3C	4 / 4	2	104	:
Bass	096	HipHop3D	4 / 4	2	104	:
Bass	097	HipHop3E	4 / 4	2	104	:
Bass	098	HipHop3F	4 / 4	2	104	:
Bass	099	ClscHipB	4 / 4	2	90	:
Bass	100	ClscHipC	4 / 4	2	90	:
Bass	101	ClscHipD	4 / 4	2	90	:
Bass	102	ClscHipE	4 / 4	2	90	:
Bass	103	ClscHipF	4 / 4	1	90	:
Bass	104	Smooth1B	4 / 4	2	115	:
Bass	105	Smooth1C	4 / 4	2	115	:
Bass	106	Smooth1D	4 / 4	2	115	:
Bass	107	Smooth1E	4 / 4	2	115	:
Bass	108	Smooth1F	4 / 4	2	115	:

Категория	№ Арпеджио	Наименование арпеджио	Размер	Длина	Исходный темп	Тип голоса
Bass	109	Smooth1G	4 / 4	1	115	Synth Bass
Bass	110	Smooth1H	4 / 4	1	115	:
Bass	111	NewGos B	4 / 4	2	90	:
Bass	112	NewGos C	4 / 4	2	90	:
Bass	113	NewGos D	4 / 4	2	90	:
Bass	114	NewGos E	4 / 4	2	90	:
Bass	115	NewGos F	4 / 4	2	90	:
Bass	116	NewGos G	4 / 4	1	90	:
Bass	117	6/8R&B B	4 / 4	2	61	:
Bass	118	6/8R&B D	4 / 4	2	61	:
Bass	119	6/8R&B E	4 / 4	2	61	:
Bass	120	6/8R&B F	4 / 4	2	61	:
Bass	121	6/8R&B G	4 / 4	1	61	:
Bass	122	6/8R&B H	4 / 4	1	61	:
Bass	123	GtrPop B	4 / 4	2	90	Finger Bass
Bass	124	GtrPop C	4 / 4	1	90	:
Bass	125	GtrPop D	4 / 4	2	90	:
Bass	126	GtrPop E	4 / 4	2	90	:
Bass	127	GtrPop F	4 / 4	2	90	:
Bass	128	GtrPop H	4 / 4	1	90	:
Bass	129	70sRockC	4 / 4	4	130	:
Bass	130	70sRockD	4 / 4	2	130	:
Bass	131	70sRockE	4 / 4	4	130	:
Bass	132	70sRockG	4 / 4	1	130	:
Bass	133	XovrRckB	4 / 4	1	100	:
Bass	134	XovrRckC	4 / 4	1	100	:
Bass	135	XovrRckD	4 / 4	2	100	:
Bass	136	XovrRckE	4 / 4	2	100	:
Bass	137	XovrRckA	4 / 4	2	100	:
Bass	138	XovrRckF	4 / 4	2	100	:
Bass	139	XovrRckH	4 / 4	1	100	:
Bass	140	AcidBas1	4 / 4	1	86	Synth Bass
Bass	141	AcidBas2	4 / 4	1	120	:
Bass	142	TekBass1	4 / 4	1	138	:
Bass	143	TekBass2	4 / 4	1	138	:
Bass	144	TekBass3	4 / 4	8	138	:
Bass	145	Trance B	4 / 4	1	140	:
Bass	146	Trance F	4 / 4	4	140	:
Bass	147	Trance G	4 / 4	1	140	:
Bass	148	Dream B	4 / 4	2	136	:
Bass	149	Dream C	4 / 4	1	136	:
Bass	150	Dream D	4 / 4	4	136	:
Bass	151	Dream E	4 / 4	4	136	:
Bass	152	Dream G	4 / 4	1	136	:
Bass	153	Ibiza B	4 / 4	2	135	:
Bass	154	Ibiza C	4 / 4	2	135	:
Bass	155	Ibiza D	4 / 4	2	135	:
Bass	156	Ibiza E	4 / 4	2	135	:
Bass	157	Ibiza A	4 / 4	1	135	:
Bass	158	Ibiza F	4 / 4	4	135	:
Bass	159	HouseBas	4 / 4	4	120	:
Bass	160	ClubHs B	4 / 4	1	128	:
Bass	161	ClubHs C	4 / 4	1	128	:
Bass	162	ClubHs D	4 / 4	1	128	:
Bass	163	ClubHs E	4 / 4	1	128	:
Bass	164	ClubHs A	4 / 4	1	128	:
Bass	165	ClubHs G	4 / 4	1	128	:
Bass	166	ClubHs H	4 / 4	1	128	:
Bass	167	Garage2B	4 / 4	2	127	:
Bass	168	Garage2C	4 / 4	2	127	:
Bass	169	Garage2D	4 / 4	2	127	:
Bass	170	Garage2E	4 / 4	2	127	:
Bass	171	Garage2A	4 / 4	2	127	:
Bass	172	Garage2F	4 / 4	2	127	:
Bass	173	ChllOutC	4 / 4	2	79	Finger Bass
Bass	174	ChllOutD	4 / 4	4	79	:
Bass	175	ChllOutE	4 / 4	1	79	:
Bass	176	ChllOutA	4 / 4	3	79	:
Bass	177	ChllOutF	4 / 4	4	79	:
Bass	178	ChllOutG	4 / 4	1	79	Finger Bass (PB Range=12)
Bass	179	SynPop1C	4 / 4	2	90	Synth Bass
Bass	180	SynPop1E	4 / 4	2	90	:
Bass	181	SynPop1F	4 / 4	2	90	:
Bass	182	RetroPpB	4 / 4	2	126	:
Bass	183	Disco B	4 / 4	2	110	:
Bass	184	Disco C	4 / 4	2	110	:

Категория	№ Арпеджио	Наименование арпеджио	Размер	Длина	Исходный темп	Тип голоса
Bass	185	Disco D	4 / 4	2	110	Synth Bass
Bass	186	Disco E	4 / 4	2	110	:
Bass	187	Disco F	4 / 4	2	110	:
Bass	188	Disco G	4 / 4	1	110	:
Bass	189	Disco H	4 / 4	1	110	:
Bass	190	LatinHsB	4 / 4	4	138	Finger Bass
Bass	191	LatinHsD	4 / 4	4	138	Finger Bass
Bass	192	LatinHsG	4 / 4	4	138	Synth Bass
Bass	193	MontunoB	4 / 4	4	100	Finger Bass
Bass	194	MontnoD1	4 / 4	4	100	:
Bass	195	MontnoD2	4 / 4	4	100	:
Bass	196	MontnoE1	4 / 4	4	100	:
Bass	197	MontnoE2	4 / 4	4	100	:
Bass	198	MontnoE3	4 / 4	4	100	:
Bass	199	MontnoE4	4 / 4	4	100	:
Bass	200	MontunoF	4 / 4	4	100	:
Bass	201	MontnoG1	4 / 4	1	100	:
Bass	202	MontnoG2	4 / 4	1	100	:
Bass	203	Reggae1B	4 / 4	4	102	:
Bass	204	Reggae1C	4 / 4	4	102	:
Bass	205	Reggae1D	4 / 4	4	80	:
Bass	206	Reggae1E	4 / 4	4	90	:
Bass	207	Reggae1A	4 / 4	4	102	:
Bass	208	Reggae1F	4 / 4	4	96	:
Bass	209	Reggae1G	4 / 4	1	96	:
Bass	210	Reggae1H	4 / 4	1	90	:
Bass	211	Reggae2B	4 / 4	2	92	:
Bass	212	Reggae2C	4 / 4	2	92	:
Bass	213	Reggae2D	4 / 4	2	92	:
Bass	214	Reggae2E	4 / 4	2	92	:
Bass	215	Reggae2A	4 / 4	2	92	:
Bass	216	Reggae2G	4 / 4	1	92	:
Bass	217	Reggae2H	4 / 4	1	92	:
Bass	218	TurkishB	4 / 4	2	105	:
Bass	219	TurkishC	4 / 4	2	105	:
Bass	220	TurkishD	9 / 8	2	125	:
Bass	221	TurkishE	9 / 8	2	125	:
Bass	222	TurkishA	4 / 4	2	86	:
Bass	223	TurkishF	4 / 4	2	105	:
Bass	224	TurkishG	4 / 4	2	105	:
BaKM	001	KM FnBa1	4 / 4	4	107	"Mega Fingr"
BaKM	002	KM FnBa2	4 / 4	4	107	:
BaKM	003	KM FnBa3	4 / 4	4	107	:
BaKM	004	KM FnBa4	4 / 4	4	107	:
BaKM	005	KM FnBa5	4 / 4	4	107	:
BaKM	006	Funk2 B	4 / 4	2	130	:
BaKM	007	Funk2 C	4 / 4	4	130	:
BaKM	008	Funk2 D	4 / 4	4	130	:
BaKM	009	Funk2 E	4 / 4	4	130	:
BaKM	010	Funk2 F	4 / 4	1	130	:
BaKM	011	Funk3 B	4 / 4	2	132	:
BaKM	012	Funk3 C	4 / 4	2	132	:
BaKM	013	Funk3 D	4 / 4	4	132	:
BaKM	014	Funk3 E	4 / 4	4	132	:
BaKM	015	Funk3 A	4 / 4	1	132	:
BaKM	016	Funk3 H	4 / 4	1	132	:
BaKM	017	CoolFnkB	4 / 4	2	96	:
BaKM	018	CoolFnkC	4 / 4	2	96	:
BaKM	019	CoolFnkD	4 / 4	2	96	:
BaKM	020	CoolFnkE	4 / 4	4	96	:
BaKM	021	CoolFnkA	4 / 4	2	96	:
BaKM	022	CoolFnkF	4 / 4	1	96	:
BaKM	023	CoolFnkG	4 / 4	1	96	:
BaKM	024	CoolFnkH	4 / 4	1	96	:
BaKM	025	Soul B	4 / 4	4	117	:
BaKM	026	Soul C	4 / 4	1	117	:
BaKM	027	Soul D	4 / 4	4	117	:
BaKM	028	Soul E	4 / 4	4	117	:
BaKM	029	FolkRckC	4 / 4	1	118	:
BaKM	030	FolkRckD	4 / 4	1	118	:
BaKM	031	FolkRckE	4 / 4	1	118	:
BaKM	032	FolkRckF	4 / 4	1	118	:
BaKM	033	FolkRckG	4 / 4	1	118	:
BaKM	034	SoftRckB	4 / 4	1	75	:
BaKM	035	SoftRckC	4 / 4	1	75	:
BaKM	036	SoftRckD	4 / 4	1	75	:

Категория	№ Арпеджио	Наименование арпеджио	Размер	Длина	Исходный темп	Тип голоса
BaKM	037	SoftRckE	4 / 4	1	75	"Mega Fingr"
BaKM	038	SoftRckA	4 / 4	1	75	:
BaKM	039	SoftRckG	4 / 4	1	75	:
BaKM	040	SoftRckH	4 / 4	1	75	:
BaKM	041	FngrPckB	4 / 4	1	94	:
BaKM	042	FngrPckC	4 / 4	2	94	:
BaKM	043	FngrPckD	4 / 4	1	94	:
BaKM	044	FngrPckE	4 / 4	1	94	:
BaKM	045	FngrPckF	4 / 4	1	94	:
BaKM	046	FngrPckG	4 / 4	1	94	:
BaKM	047	FngrPckH	4 / 4	1	94	:
BaKM	048	LatinRkB	4 / 4	2	120	:
BaKM	049	LatinRkC	4 / 4	2	120	:
BaKM	050	LatinRkD	4 / 4	2	120	:
BaKM	051	LatinRkE	4 / 4	4	120	:
BaKM	052	LatinRkA	4 / 4	2	120	:
BaKM	053	LatinRkG	4 / 4	1	120	:
BaKM	054	LatinRkH	4 / 4	1	120	:
BaKM	055	Samba B	4 / 4	2	114	:
BaKM	056	Samba D	4 / 4	4	114	:
BaKM	057	Samba E	4 / 4	4	114	:
BaKM	058	Samba A	4 / 4	2	114	:
BaKM	059	SpanishB	4 / 4	1	120	:
BaKM	060	SpanishC	4 / 4	2	120	:
BaKM	061	SpanishD	4 / 4	1	120	:
BaKM	062	SpanishE	4 / 4	1	120	:
BaKM	063	SpanishF	4 / 4	2	120	:
BaKM	064	SpanishG	4 / 4	1	120	:
BaKM	065	KM Slap1	4 / 4	4	120	"Mega Slap"
BaKM	066	KM Slap2	4 / 4	2	120	:
BaKM	067	KM Slap3	4 / 4	1	124	:
BaKM	068	KM Slap4	4 / 4	1	124	:
BaKM	069	KM Slap5	4 / 4	2	124	:
BaKM	070	KM Slap6	4 / 4	1	105	:
BaKM	071	KM Slap7	4 / 4	1	105	:
BaKM	072	KM Slap8	4 / 4	1	105	:
BaKM	073	KM Slap9	4 / 4	2	110	:
BaKM	074	KM Slp10	4 / 4	1	110	:
BaKM	075	KM Slp11	4 / 4	1	90	:
BaKM	076	KM PkBa1	4 / 4	4	120	"Mega Pick"
BaKM	077	KM PkBa2	4 / 4	4	120	:
BaKM	078	KM PkBa3	4 / 4	4	120	:
BaKM	079	KM PkBa4	4 / 4	4	120	:
BaKM	080	KM PkBa5	4 / 4	4	120	:
BaKM	081	AnaPop B	4 / 4	2	93	:
BaKM	082	AnaPop C	4 / 4	2	93	:
BaKM	083	AnaPop D	4 / 4	2	93	:
BaKM	084	AnaPop E	4 / 4	4	93	:
BaKM	085	AnaPop A	4 / 4	2	93	:
BaKM	086	AnaPop F	4 / 4	2	93	:
BaKM	087	AnaPop G	4 / 4	1	93	:
BaKM	088	AnaPop H	4 / 4	1	93	:
BaKM	089	KM FIBa1	4 / 4	4	124	"Mega Frlis"
BaKM	090	KM FIBa2	4 / 4	4	124	:
BaKM	091	KM FIBa3	4 / 4	4	124	:
BaKM	092	KM FIBa4	4 / 4	4	124	:
BaKM	093	KM FIBa5	4 / 4	4	124	:
BaKM	094	Slowfl B	4 / 4	1	74	:
BaKM	095	Slowfl C	4 / 4	1	74	:
BaKM	096	Slowfl D	4 / 4	1	74	:
BaKM	097	Slowfl E	4 / 4	1	74	:
BaKM	098	Slowfl A	4 / 4	2	74	:
BaKM	099	Slowfl F	4 / 4	2	74	:
BaKM	100	Slowfl G	4 / 4	1	74	:
BaKM	101	Slowfl H	4 / 4	1	74	:
BaKM	102	KM AcBa1	4 / 4	4	132	"Mega Acous"
BaKM	103	KM AcBa2	4 / 4	4	132	:
BaKM	104	KM AcBa3	4 / 4	4	132	:
BaKM	105	KM AcBa4	4 / 4	8	132	:
BaKM	106	KM AcBa5	4 / 4	4	132	:
BaKM	107	Salsa B	4 / 4	4	123	:
BaKM	108	Salsa C	4 / 4	4	123	:
BaKM	109	Salsa F	4 / 4	2	123	:
BaKM	110	Salsa G	4 / 4	1	123	:
Strn	001	Strings1	4 / 4	1	101	Strings
Strn	002	Strings2	4 / 4	1	101	:

Перечень типов арпеджио

Категория	№ Арпеджио	Наименование арпеджио	Размер	Длина	Исходный темп	Тип голоса
Strn	003	Strings3	4 / 4	1	101	Strings
Strn	004	Strings4	4 / 4	1	101	:
Strn	005	Strings5	4 / 4	1	101	:
Strn	006	Strings6	4 / 4	1	101	:
Strn	007	Strings7	4 / 4	1	101	:
Strn	008	Strings8	4 / 4	1	101	:
Strn	009	Strings9**	4 / 4	2	120	:
Strn	010	Cello1**	4 / 4	2	120	Cello
Strn	011	Cello2**	4 / 4	2	120	:
Strn	012	StrngUp1**	4 / 4	1	120	Strings
Strn	013	StrngDw1**	4 / 4	1	120	:
Strn	014	StrngUp2	4 / 4	1	120	:
Strn	015	StrngDw2	4 / 4	1	120	:
Strn	016	Orchestr	4 / 4	4	126	:
Strn	017	OrchChrd	4 / 4	4	126	:
Strn	018	Jupiter	4 / 4	4	120	:
Strn	019	NewR&B2B	4 / 4	2	90	:
Strn	020	NewR&B2C	4 / 4	2	90	:
Strn	021	NewR&B2D	4 / 4	2	90	:
Strn	022	NwR&B2E1	4 / 4	2	90	:
Strn	023	NwR&B2E2	4 / 4	2	90	:
Strn	024	NewR&B2F	4 / 4	2	90	:
Strn	025	NewR&B2G	4 / 4	1	90	:
Strn	026	TurkishE	9 / 8	2	125	:
Strn	027	TurkishA	4 / 4	2	86	:
Strn	028	TurkishG	4 / 4	2	105	:
Strn	029	Pizz1	4 / 4	1	120	Pizz Strings
Strn	030	Pizz2	4 / 4	1	120	:
Strn	031	Pizz3	4 / 4	1	120	:
Strn	032	Pizz4	4 / 4	1	124	:
Strn	033	Pizz5	4 / 4	1	124	:
Strn	034	Smooth1D	4 / 4	2	115	:
Strn	035	Smooth1E	4 / 4	2	115	:
Strn	036	FlipHp1D	4 / 4	2	132	:
Strn	037	FlipHp1E	4 / 4	2	132	:
Strn	038	FlipHp1H	4 / 4	1	132	:
Strn	039	HipHop1D	4 / 4	2	105	:
Strn	040	HipHop1E	4 / 4	2	105	:
Strn	041	HipHop1H	4 / 4	1	105	:
Bras	001	BrasSec1	4 / 4	1	120	Brass Section
Bras	002	BrasSec2	4 / 4	1	120	:
Bras	003	BrasSec3	4 / 4	1	120	:
Bras	004	BrasSec4	4 / 4	1	120	:
Bras	005	BrasSec5	4 / 4	1	120	:
Bras	006	BrasSec6	4 / 4	1	120	:
Bras	007	BrasSec7	4 / 4	1	120	:
Bras	008	Funk2 D	4 / 4	4	130	:
Bras	009	Funk2 E1	4 / 4	4	130	:
Bras	010	Funk2 E2	4 / 4	1	130	:
Bras	011	Funk2 A	4 / 4	1	130	:
Bras	012	Funk2 F	4 / 4	1	130	:
Bras	013	Funk3 C	4 / 4	2	132	:
Bras	014	Funk3 D	4 / 4	4	132	:
Bras	015	Funk3 E	4 / 4	2	132	:
Bras	016	Funk3 A	4 / 4	1	132	:
Bras	017	Funk3 G	4 / 4	1	132	:
Bras	018	Funk3 H	4 / 4	1	132	:
Bras	019	Soul G	4 / 4	1	117	:
Bras	020	NewGos F	4 / 4	2	90	:
Bras	021	Samba E1	4 / 4	4	114	:
Bras	022	Samba A1	4 / 4	2	114	:
Bras	023	Samba F1	4 / 4	2	114	:
Bras	024	Samba C2	4 / 4	4	114	:
Bras	025	Samba D2	4 / 4	4	114	:
Bras	026	Salsa C1	4 / 4	1	123	:
Bras	027	Salsa D1	4 / 4	1	123	:
Bras	028	Salsa F1	4 / 4	2	123	:
Bras	029	Salsa B2	4 / 4	1	123	:
Bras	030	Salsa C2	4 / 4	4	120	:
Bras	031	Salsa B3	4 / 4	2	123	:
Bras	032	Salsa C3	4 / 4	2	123	:
Bras	033	Salsa D3	4 / 4	2	123	:
Bras	034	Salsa F3	4 / 4	1	123	:
Bras	035	Salsa G3	4 / 4	1	123	:
Bras	036	TurkishD	9 / 8	2	125	:
RdPp	001	Flute1	4 / 4	1	120	Flute

Категория	№ Арпеджио	Наименование арпеджио	Размер	Длина	Исходный темп	Тип голоса
RdPp	002	Flute2	4 / 4	1	120	Flute
RdPp	003	Flute3	4 / 4	1	120	:
RdPp	004	Flutter1	4 / 4	1	120	Flute/Reed
RdPp	005	Flutter2	4 / 4	1	120	:
RdPp	006	Flutter3	4 / 4	1	120	:
RdPp	007	Soul C	4 / 4	4	117	Saxophone
RdPp	008	Soul D	4 / 4	4	117	:
RdPp	009	Soul F	4 / 4	1	117	:
RdPp	010	Soul H	4 / 4	1	117	:
RdPp	011	HipHop1E	4 / 4	2	105	:
RdPp	012	HipHop1F	4 / 4	2	105	:
RdPp	013	Samba B	4 / 4	2	114	:
RdPp	014	Samba D	4 / 4	4	114	:
RdPp	015	Samba E	4 / 4	4	114	:
RdPp	016	Samba F	4 / 4	2	114	:
RdPp	017	TurkshB1	4 / 4	2	105	Ney
RdPp	018	TurkshG1	4 / 4	2	105	:
RdPp	019	TurkshC2	4 / 4	2	105	Saxophone
RdPp	020	TurkshD2	9 / 8	2	125	:
RdPp	021	TurkshE2	9 / 8	2	125	:
RdPp	022	TurkshF2	4 / 4	2	105	:
Lead	001	Disco C	4 / 4	2	110	Synth Lead
Lead	002	Disco D	4 / 4	1	110	:
Lead	003	Disco E	4 / 4	2	110	:
Lead	004	Disco F	4 / 4	2	110	:
Lead	005	Disco G	4 / 4	1	110	:
Lead	006	Disco H	4 / 4	1	110	:
PdMe	001	Ripples	4 / 4	4	82	Synth Pad
PdMe	002	Cycle1	4 / 4	3	120	:
PdMe	003	Cycle2	4 / 4	6	120	:
PdMe	004	Cycle3	4 / 4	14	118	:
PdMe	005	AnaPop D	4 / 4	1	93	:
PdMe	006	AnaPop E	4 / 4	1	93	:
PdMe	007	Smooth1E	4 / 4	2	115	Synth Voice
PdMe	008	Smooth1F	4 / 4	2	115	:
PdMe	009	HipHop2A	4 / 4	1	94	Hit
PdMe	010	HipHop2F	4 / 4	2	94	:
CPrc	001	Ethnic1	6 / 4	5	118	Chromatic Perc.
CPrc	002	Ethnic2	7 / 4	3	120	:
CPrc	003	MOD1	4 / 4	1	120	:
CPrc	004	MOD2	4 / 4	2	120	:
CPrc	005	MOD3	4 / 4	1	120	:
CPrc	006	Trill 1	4 / 4	1	120	:
CPrc	007	Trill 2	4 / 4	2	120	:
CPrc	008	Trill 3	4 / 4	2	120	:
CPrc	009	Cresendo	4 / 4	1	120	:
CPrc	010	Trance D	4 / 4	4	140	Wood Percussion
CPrc	011	Disco F	4 / 4	2	110	Glockenspiel
CPrc	012	Disco H	4 / 4	1	110	:
DrPc	001	Funk1 B1	4 / 4	4	107	"Hyper Std"
DrPc	002	Funk1 C1	4 / 4	4	107	:
DrPc	003	Funk1 D	4 / 4	4	107	:
DrPc	004	Funk1 E	4 / 4	4	107	:
DrPc	005	Funk1 A	4 / 4	4	107	:
DrPc	006	Funk1 F1	4 / 4	1	107	:
DrPc	007	Funk1 G	4 / 4	1	107	:
DrPc	008	Funk1 H1	4 / 4	1	107	:
DrPc	009	Funk1 B2	4 / 4	2	107	:
DrPc	010	Funk1 C2	4 / 4	4	107	:
DrPc	011	Funk1 F2	4 / 4	1	107	:
DrPc	012	Funk1 H2	4 / 4	1	107	:
DrPc	013	Funk2 B	4 / 4	4	130	"DryStandrd"
DrPc	014	Funk2 C	4 / 4	4	130	:
DrPc	015	Funk2 D	4 / 4	4	130	:
DrPc	016	Funk2 E	4 / 4	4	130	:
DrPc	017	Funk2 A	4 / 4	2	130	:
DrPc	018	Funk2 F	4 / 4	1	130	:
DrPc	019	Funk2 G	4 / 4	1	130	:
DrPc	020	Funk2 H	4 / 4	1	130	:
DrPc	021	Funk3 B	4 / 4	2	132	:
DrPc	022	Funk3 C	4 / 4	2	132	:
DrPc	023	Funk3 D	4 / 4	4	132	:
DrPc	024	Funk3 E	4 / 4	4	132	:
DrPc	025	Funk3 A	4 / 4	1	132	:
DrPc	026	Funk3 F	4 / 4	2	132	:
DrPc	027	Funk3 G	4 / 4	1	132	:

Категория	№ Арпеджио	Наименование арпеджио	Размер	Длина	Исходный темп	Тип голоса
DrPc	028	Funk3 H	4 / 4	1	132	"DryStandrd"
DrPc	029	Funk4 A	4 / 4	2	110	:
DrPc	030	Funk4 B	4 / 4	2	110	:
DrPc	031	Funk4 C	4 / 4	4	110	:
DrPc	032	Funk4 D	4 / 4	4	110	:
DrPc	033	CoolFnkB	4 / 4	2	96	"Hyper Std"
DrPc	034	CoolFnkC	4 / 4	2	96	:
DrPc	035	CoolFnkD	4 / 4	2	96	:
DrPc	036	CoolFnkE	4 / 4	2	96	:
DrPc	037	CoolFnkA	4 / 4	2	96	:
DrPc	038	CoolFnkF	4 / 4	2	96	:
DrPc	039	CoolFnkG	4 / 4	1	96	:
DrPc	040	CoolFnkH	4 / 4	1	96	:
DrPc	041	Soul B	4 / 4	4	117	"DryStandrd"
DrPc	042	Soul C	4 / 4	4	117	:
DrPc	043	Soul D	4 / 4	4	117	:
DrPc	044	Soul E	4 / 4	4	117	:
DrPc	045	Soul A	4 / 4	1	117	:
DrPc	046	Soul F	4 / 4	4	117	:
DrPc	047	Soul G	4 / 4	1	117	:
DrPc	048	Soul H	4 / 4	1	117	:
DrPc	049	NewR&B1B	4 / 4	1	97	"Hip Hop3"
DrPc	050	NewR&B1C	4 / 4	1	97	:
DrPc	051	NewR&B1D	4 / 4	1	97	:
DrPc	052	NewR&B1E	4 / 4	1	97	:
DrPc	053	NewR&B1A	4 / 4	2	97	:
DrPc	054	NewR&B1F	4 / 4	2	97	:
DrPc	055	NewR&B1G	4 / 4	1	97	:
DrPc	056	NewR&B1H	4 / 4	1	97	:
DrPc	057	NewR&B2B	4 / 4	2	90	:
DrPc	058	NewR&B2C	4 / 4	2	90	:
DrPc	059	NewR&B2D	4 / 4	2	90	:
DrPc	060	NewR&B2E	4 / 4	2	90	:
DrPc	061	NewR&B2A	4 / 4	2	90	:
DrPc	062	NewR&B2F	4 / 4	2	90	:
DrPc	063	NewR&B2G	4 / 4	1	90	:
DrPc	064	NewR&B2H	4 / 4	1	90	:
DrPc	065	FlipHp1B	4 / 4	2	132	:
DrPc	066	FlipHp1C	4 / 4	2	132	:
DrPc	067	FlipHp1D	4 / 4	2	132	:
DrPc	068	FlipHp1E	4 / 4	2	132	:
DrPc	069	FlipHp1A	4 / 4	2	132	:
DrPc	070	FlipHp1F	4 / 4	4	132	:
DrPc	071	FlipHp1G	4 / 4	1	132	:
DrPc	072	FlipHp1H	4 / 4	1	132	:
DrPc	073	FlipHp2A	4 / 4	4	125	:
DrPc	074	FlipHp2B	4 / 4	4	125	:
DrPc	075	FlipHp2C	4 / 4	4	125	:
DrPc	076	FlipHp2D	4 / 4	4	125	:
DrPc	077	HipHop1B	4 / 4	2	105	:
DrPc	078	HipHop1C	4 / 4	2	105	:
DrPc	079	HipHop1D	4 / 4	2	105	:
DrPc	080	HipHop1E	4 / 4	2	105	:
DrPc	081	HipHop1A	4 / 4	1	105	:
DrPc	082	HipHop1F	4 / 4	2	105	:
DrPc	083	HipHop1G	4 / 4	1	105	:
DrPc	084	HipHop1H	4 / 4	1	105	:
DrPc	085	HipHop2B	4 / 4	2	104	:
DrPc	086	HipHop2C	4 / 4	2	104	:
DrPc	087	HipHop2D	4 / 4	2	104	:
DrPc	088	HipHop2E	4 / 4	2	104	:
DrPc	089	HipHop2A	4 / 4	1	104	:
DrPc	090	HipHop2F	4 / 4	2	104	:
DrPc	091	HipHop2G	4 / 4	1	104	:
DrPc	092	HipHop2H	4 / 4	1	104	:
DrPc	093	HipHop3B	4 / 4	2	94	"Break Kit"
DrPc	094	HipHop3C	4 / 4	2	94	:
DrPc	095	HipHop3D	4 / 4	2	94	:
DrPc	096	HipHop3E	4 / 4	2	94	:
DrPc	097	HipHop3A	4 / 4	2	94	:
DrPc	098	HipHop3F	4 / 4	2	94	:
DrPc	099	HipHop3G	4 / 4	1	94	:
DrPc	100	HipHop3H	4 / 4	1	94	:
DrPc	101	HipHop4	4 / 4	2	96	"Hip Hop1"
DrPc	102	ClscHipB	4 / 4	2	90	"Hip Hop3"
DrPc	103	ClscHipC	4 / 4	1	90	:

Категория	№ Арпеджио	Наименование арпеджио	Размер	Длина	Исходный темп	Тип голоса
DrPc	104	ClscHipD	4 / 4	1	90	"Hip Hop3"
DrPc	105	ClscHipE	4 / 4	2	90	:
DrPc	106	ClscHipA1	4 / 4	2	90	:
DrPc	107	ClscHipA2	4 / 4	1	90	:
DrPc	108	ClscHipG	4 / 4	1	90	:
DrPc	109	ClscHipH	4 / 4	1	90	:
DrPc	110	ClscHipA3	4 / 4	4	90	:
DrPc	111	GangstaA	4 / 4	2	98	"Hip Hop4"
DrPc	112	GangstaB	4 / 4	4	98	:
DrPc	113	GangstaC	4 / 4	4	98	:
DrPc	114	GangstaD	4 / 4	2	98	:
DrPc	115	i-Hop A	4 / 4	4	98	"T9HipKit1"
DrPc	116	i-Hop B	4 / 4	4	98	:
DrPc	117	i-Hop C	4 / 4	4	98	:
DrPc	118	i-Hop D	4 / 4	1	98	:
DrPc	119	Smooth1B	4 / 4	2	115	"Hip Hop3"
DrPc	120	Smooth1C	4 / 4	2	115	:
DrPc	121	Smooth1D	4 / 4	2	115	:
DrPc	122	Smooth1E	4 / 4	2	115	:
DrPc	123	Smooth1A	4 / 4	2	115	:
DrPc	124	Smooth1F	4 / 4	2	115	:
DrPc	125	Smooth1G	4 / 4	1	115	:
DrPc	126	Smooth1H	4 / 4	1	115	:
DrPc	127	Smooth2A	4 / 4	4	64	"Hip Hop1"
DrPc	128	Smooth2B	4 / 4	4	64	:
DrPc	129	Smooth2C	4 / 4	4	64	:
DrPc	130	Smooth2D	4 / 4	4	64	:
DrPc	131	NewGos B	4 / 4	2	90	"Hip Hop3"
DrPc	132	NewGos C	4 / 4	2	90	:
DrPc	133	NewGos D	4 / 4	2	90	:
DrPc	134	NewGos E	4 / 4	2	90	:
DrPc	135	NewGos A	4 / 4	1	90	:
DrPc	136	NewGos F	4 / 4	2	90	:
DrPc	137	NewGos G	4 / 4	1	90	:
DrPc	138	NewGos H	4 / 4	1	90	:
DrPc	139	Gospel A	3 / 4	4	126	"DryStandrd"
DrPc	140	Gospel B	3 / 4	2	126	:
DrPc	141	6/8R&B B	4 / 4	2	61	"Hip Hop3"
DrPc	142	6/8R&B C	4 / 4	2	61	:
DrPc	143	6/8R&B D	4 / 4	2	61	:
DrPc	144	6/8R&B E	4 / 4	2	61	:
DrPc	145	6/8R&B A	4 / 4	2	61	:
DrPc	146	6/8R&B F	4 / 4	2	61	:
DrPc	147	6/8R&B G	4 / 4	1	61	:
DrPc	148	6/8R&B H	4 / 4	1	61	:
DrPc	149	CmbJazzB	4 / 4	4	204	"DryStandrd"
DrPc	150	CmbJazzC	4 / 4	4	204	:
DrPc	151	CmbJazzD	4 / 4	4	204	:
DrPc	152	CmbJazzE	4 / 4	4	204	:
DrPc	153	CmbJazzA	4 / 4	4	204	:
DrPc	154	CmbJazzF	4 / 4	4	204	:
DrPc	155	CmbJazzG	4 / 4	1	204	:
DrPc	156	CmbJazzH	4 / 4	1	204	:
DrPc	157	Bebop A	4 / 4	4	152	:
DrPc	158	Bebop B	4 / 4	4	152	:
DrPc	159	JazzHop	4 / 4	2	106	"Hip Hop2"
DrPc	160	Abstract	4 / 4	2	86	:
DrPc	161	FolkRckB	4 / 4	1	118	"DryStandrd"
DrPc	162	FolkRckC1	4 / 4	4	118	:
DrPc	163	FolkRckE	4 / 4	1	118	:
DrPc	164	FolkRckA	4 / 4	1	118	:
DrPc	165	FolkRckF	4 / 4	1	118	:
DrPc	166	FolkRckG	4 / 4	1	118	:
DrPc	167	FolkRckH	4 / 4	1	118	:
DrPc	168	FolkRck2	4 / 4	1	118	:
DrPc	169	SoftRckB	4 / 4	4	75	:
DrPc	170	SoftRckC	4 / 4	4	75	:
DrPc	171	SoftRckD	4 / 4	4	75	:
DrPc	172	SoftRckE	4 / 4	4	75	:
DrPc	173	SoftRckA	4 / 4	1	75	:
DrPc	174	SoftRckF	4 / 4	1	75	:
DrPc	175	SoftRckG	4 / 4	1	75	:
DrPc	176	SoftRckH	4 / 4	1	75	:
DrPc	177	Ballad1A	4 / 4	2	72	"Hyper Std"
DrPc	178	Ballad1B	4 / 4	2	72	:
DrPc	179	Ballad1C	4 / 4	2	72	:

Перечень типов арпеджио

Категория	№ Арпеджио	Наименование арпеджио	Размер	Длина	Исходный темп	Тип голоса
DrPc	180	Ballad1D	4/4	1	72	"Hyper Std"
DrPc	181	Ballad2A	4/4	2	72	:
DrPc	182	Ballad2B	4/4	2	72	:
DrPc	183	Unplug B	4/4	4	120	"DryStandrd"
DrPc	184	Unplug C	4/4	4	120	:
DrPc	185	Unplug D	4/4	4	120	:
DrPc	186	Unplug E	4/4	4	120	:
DrPc	187	Unplug A	4/4	1	120	:
DrPc	188	Unplug F	4/4	1	120	:
DrPc	189	Unplug G	4/4	1	120	:
DrPc	190	Unplug H	4/4	1	120	:
DrPc	191	FngrPckB	4/4	4	94	:
DrPc	192	FngrPckC	4/4	4	94	:
DrPc	193	FngrPckD	4/4	4	94	:
DrPc	194	FngrPckE	4/4	4	94	:
DrPc	195	FngrPckA1	4/4	1	94	:
DrPc	196	FngrPckA2	4/4	1	94	:
DrPc	197	FngrPckF	4/4	1	94	:
DrPc	198	FngrPckG	4/4	1	94	:
DrPc	199	FngrPckH	4/4	1	94	:
DrPc	200	Slowfl B	4/4	1	74	"Hyper Std"
DrPc	201	Slowfl C	4/4	1	74	:
DrPc	202	Slowfl D	4/4	1	74	:
DrPc	203	Slowfl E	4/4	1	74	:
DrPc	204	Slowfl A	4/4	2	74	:
DrPc	205	Slowfl F	4/4	2	74	:
DrPc	206	Slowfl G	4/4	1	74	:
DrPc	207	Slowfl H	4/4	1	74	:
DrPc	208	GtrPop B	4/4	2	90	"DryStandrd"
DrPc	209	GtrPop C	4/4	1	90	:
DrPc	210	GtrPopD1	4/4	2	90	:
DrPc	211	GtrPopE1	4/4	2	90	:
DrPc	212	GtrPop A	4/4	2	90	:
DrPc	213	GtrPopF1	4/4	2	90	:
DrPc	214	GtrPopG1	4/4	1	90	:
DrPc	215	GtrPop H	4/4	1	90	:
DrPc	216	GtrPopD2	4/4	2	90	"Latin Perc"
DrPc	217	GtrPopE2	4/4	2	90	:
DrPc	218	GtrPopF2	4/4	2	90	:
DrPc	219	GtrPopG2	4/4	1	90	:
DrPc	220	AnaPop B	4/4	2	93	"AnalogT8"
DrPc	221	AnaPop C	4/4	2	93	:
DrPc	222	AnaPop D	4/4	2	93	:
DrPc	223	AnaPop E	4/4	4	93	:
DrPc	224	AnaPop A	4/4	2	93	:
DrPc	225	AnaPop F	4/4	2	93	:
DrPc	226	AnaPop G	4/4	1	93	:
DrPc	227	AnaPop H	4/4	1	93	:
DrPc	228	PnoClubB	4/4	2	96	"Hyper Std"
DrPc	229	PnoClubC	4/4	2	96	:
DrPc	230	PnoClubD	4/4	2	96	:
DrPc	231	PnoClubE	4/4	2	96	:
DrPc	232	PnClubA1	4/4	2	96	:
DrPc	233	PnClubA2	4/4	2	96	:
DrPc	234	PnClubF1	4/4	2	96	:
DrPc	235	PnClubF2	4/4	1	96	:
DrPc	236	PnoClubG	4/4	1	96	:
DrPc	237	PnoClubH	4/4	1	96	:
DrPc	238	70sRockB	4/4	4	130	"DryStandrd"
DrPc	239	70sRockC	4/4	4	130	:
DrPc	240	70sRockD	4/4	4	130	:
DrPc	241	70sRockE	4/4	4	130	:
DrPc	242	70sRockA	4/4	1	130	:
DrPc	243	70sRockF	4/4	2	130	:
DrPc	244	70sRockG	4/4	1	130	:
DrPc	245	70sRockH	4/4	1	130	:
DrPc	246	PopRck1A	4/4	2	126	"RockSt1"
DrPc	247	PopRck1B	4/4	2	126	:
DrPc	248	PopRck1C	4/4	2	126	:
DrPc	249	PopRck1D	4/4	2	126	:
DrPc	250	PopRck2A	4/4	2	120	"RockSt2"
DrPc	251	PopRck2B	4/4	2	120	:
DrPc	252	PopRck2C	4/4	2	120	:
DrPc	253	PopRck2D	4/4	2	120	:
DrPc	254	Rock1	4/4	2	120	:
DrPc	255	Rock2	4/4	2	115	:

Категория	№ Арпеджио	Наименование арпеджио	Размер	Длина	Исходный темп	Тип голоса
DrPc	256	Rock3	4/4	4	120	"RockSt2"
DrPc	257	MondoRkA	4/4	2	94	:
DrPc	258	MondoRkB	4/4	2	94	:
DrPc	259	MondoRkC	4/4	2	94	:
DrPc	260	MondoRkD	4/4	4	94	:
DrPc	261	XovrRckB	4/4	2	100	"RockSt1"
DrPc	262	XovrRckC	4/4	1	100	:
DrPc	263	XovrRckD	4/4	2	100	:
DrPc	264	XovrRckE	4/4	2	100	:
DrPc	265	XovrRckA	4/4	2	100	:
DrPc	266	XovrRkF1	4/4	2	100	:
DrPc	267	XovrRkG1	4/4	1	100	:
DrPc	268	XovrRckH	4/4	1	100	:
DrPc	269	XovrRkF2	4/4	1	100	"Scratches"
DrPc	270	XovrRkG2	4/4	1	100	:
DrPc	271	LoBeat1	4/4	2	140	"Break Kit"
DrPc	272	LoBeat2	4/4	2	130	:
DrPc	273	LoBeat3	4/4	1	122	:
DrPc	274	LoBeat4	4/4	1	115	:
DrPc	275	Electrn1	4/4	1	118	"Tekno Kit"
DrPc	276	Electrn2	4/4	1	118	"AnalogT9"
DrPc	277	BgBeat1A	4/4	2	120	"Big Kit"
DrPc	278	BgBeat1B	4/4	1	120	:
DrPc	279	BigBeat2	4/4	1	138	:
DrPc	280	BigBeat3	4/4	1	128	:
DrPc	281	DrumBa1	4/4	1	170	"Jungle Kit"
DrPc	282	DrumBa2	4/4	2	165	:
DrPc	283	DrumBa3A	4/4	2	154	"Drum'nBass"
DrPc	284	DrumBa3B	4/4	2	154	:
DrPc	285	DrumBa3C	4/4	2	154	:
DrPc	286	DrumBa3D	4/4	1	154	:
DrPc	287	DrumBa3E	4/4	2	154	:
DrPc	288	EuroTekA	4/4	2	140	"Tekno Kit"
DrPc	289	EuroTekB	4/4	2	140	:
DrPc	290	EuroTekC	4/4	2	140	:
DrPc	291	EuroTekD	4/4	2	140	:
DrPc	292	EuroTekE	4/4	2	140	:
DrPc	293	Trance B	4/4	4	140	"AnalogT9"
DrPc	294	Trance C	4/4	4	140	:
DrPc	295	Trance D	4/4	4	140	:
DrPc	296	Trance E	4/4	4	140	:
DrPc	297	Trance A	4/4	4	140	:
DrPc	298	Trance F	4/4	4	140	:
DrPc	299	Trance G	4/4	4	140	:
DrPc	300	Trance H	4/4	4	140	:
DrPc	301	TrancBd1	4/4	4	140	:
DrPc	302	TrancBd2	4/4	4	140	:
DrPc	303	TrancBd3	4/4	4	140	:
DrPc	304	TrancBd4	4/4	4	140	:
DrPc	305	TrancSdf	4/4	4	140	:
DrPc	306	TrancClp	4/4	4	140	:
DrPc	307	TrancHh1	4/4	4	140	:
DrPc	308	TrancHh2	4/4	2	140	:
DrPc	309	TrancHh3	4/4	1	140	:
DrPc	310	TrancHh4	4/4	1	140	:
DrPc	311	TrancHh5	4/4	1	140	:
DrPc	312	TrancHh6	4/4	1	140	:
DrPc	313	TrancHh7	4/4	1	140	:
DrPc	314	Dream B	4/4	4	136	"T9HipKit1"
DrPc	315	Dream D	4/4	4	136	:
DrPc	316	Dream E	4/4	4	136	:
DrPc	317	Dream A	4/4	4	136	:
DrPc	318	DreamBd1	4/4	4	136	:
DrPc	319	DreamBd2	4/4	1	136	:
DrPc	320	DreamBd3	4/4	4	136	:
DrPc	321	DreamBd4	4/4	4	136	:
DrPc	322	DreamBd5	4/4	4	136	:
DrPc	323	DreamSdf	4/4	4	136	:
DrPc	324	DreamHh1	4/4	1	136	:
DrPc	325	DreamHh2	4/4	4	136	:
DrPc	326	DreamHh3	4/4	2	136	:
DrPc	327	DreamHh4	4/4	4	136	"AnalogT8"
DrPc	328	DreamClp	4/4	4	136	"T9HipKit1"
DrPc	329	DreamPc1	4/4	4	136	"Percussion"
DrPc	330	DreamPc2	4/4	2	136	"AnalogT8"
DrPc	331	DreamPc3	4/4	4	136	:

Категория	№ Арпеджио	Наименование арпеджио	Размер	Длина	Исходный темп	Тип голоса
DrPc	332	House1	4 / 4	2	123	"AnalogT9"
DrPc	333	House2	4 / 4	1	123	"Garage"
DrPc	334	House3	4 / 4	2	127	:
DrPc	335	House4A	4 / 4	2	130	"T9HipKit1"
DrPc	336	House4B	4 / 4	2	130	:
DrPc	337	House4C	4 / 4	2	130	:
DrPc	338	House5A	4 / 4	4	120	"House Kit1"
DrPc	339	House5B	4 / 4	1	120	:
DrPc	340	House5C	4 / 4	1	120	:
DrPc	341	House5D	4 / 4	1	120	:
DrPc	342	House6A	4 / 4	1	120	:
DrPc	343	House6B	4 / 4	1	120	:
DrPc	344	House6C	4 / 4	1	120	:
DrPc	345	House7A	4 / 4	1	120	:
DrPc	346	House7B	4 / 4	1	120	:
DrPc	347	House8	4 / 4	2	120	:
DrPc	348	House9	4 / 4	4	120	:
DrPc	349	House10A	4 / 4	1	120	:
DrPc	350	House10B	4 / 4	1	120	:
DrPc	351	House11A	4 / 4	1	120	:
DrPc	352	House11B	4 / 4	1	120	:
DrPc	353	House11C	4 / 4	1	120	:
DrPc	354	House12	4 / 4	2	120	:
DrPc	355	House13	4 / 4	2	120	:
DrPc	356	UKGargeA	4 / 4	4	130	:
DrPc	357	UKGargeB	4 / 4	4	130	:
DrPc	358	UKGargeC	4 / 4	4	130	:
DrPc	359	2 Step	4 / 4	2	120	:
DrPc	360	Ibiza B1	4 / 4	2	135	:
DrPc	361	Ibiza C	4 / 4	2	135	:
DrPc	362	Ibiza D	4 / 4	2	135	:
DrPc	363	Ibiza E	4 / 4	2	135	:
DrPc	364	Ibiza A	4 / 4	8	135	:
DrPc	365	Ibiza F	4 / 4	2	135	:
DrPc	366	Ibiza G	4 / 4	1	135	:
DrPc	367	Ibiza H1	4 / 4	1	135	:
DrPc	368	Ibiza B2	4 / 4	2	135	"DryStandrd"
DrPc	369	Ibiza H2	4 / 4	1	135	"DryStandrd" (PB Range=24)
DrPc	370	ClubHs B	4 / 4	1	128	"House Kit1"
DrPc	371	ClubHs C	4 / 4	1	128	:
DrPc	372	ClubHs D	4 / 4	1	128	:
DrPc	373	ClubHsE1	4 / 4	1	128	:
DrPc	374	ClubHsA1	4 / 4	2	128	:
DrPc	375	ClubHsA2	4 / 4	1	128	:
DrPc	376	ClubHs F	4 / 4	2	128	:
DrPc	377	ClubHs G	4 / 4	1	128	:
DrPc	378	ClubHsH1	4 / 4	1	128	:
DrPc	379	ClubHsE2	4 / 4	1	128	"Hyper Std"
DrPc	380	ClubHsH2	4 / 4	1	128	:
DrPc	381	Garage1	4 / 4	2	130	"Garage"
DrPc	382	Garage2B	4 / 4	2	127	"House Kit1"
DrPc	383	Garage2C	4 / 4	2	127	:
DrPc	384	Garage2D	4 / 4	2	127	:
DrPc	385	Garage2E	4 / 4	2	127	:
DrPc	386	Garge2A1	4 / 4	1	127	:
DrPc	387	Garge2A2	4 / 4	1	127	:
DrPc	388	Garage2F	4 / 4	2	127	:
DrPc	389	Garage2G	4 / 4	1	127	:
DrPc	390	ChlOutB1	4 / 4	2	79	"DryStandrd"
DrPc	391	ChlOutC1	4 / 4	2	79	:
DrPc	392	ChlOutD1	4 / 4	4	79	:
DrPc	393	ChlOutE1	4 / 4	2	79	:
DrPc	394	ChlOutA1	4 / 4	1	79	:
DrPc	395	ChlOutF1	4 / 4	4	79	:
DrPc	396	ChlOutG1	4 / 4	1	79	:
DrPc	397	ChlOutH1	4 / 4	1	79	:
DrPc	398	ChlOutB2	4 / 4	2	79	"Break Kit"
DrPc	399	ChlOutC2	4 / 4	2	79	:
DrPc	400	ChlOutD2	4 / 4	4	79	:
DrPc	401	ChlOutE2	4 / 4	2	79	:
DrPc	402	ChlOutA2	4 / 4	4	79	:
DrPc	403	ChlOutF2	4 / 4	4	79	:
DrPc	404	ChlOutG2	4 / 4	1	79	:
DrPc	405	ChlOutH2	4 / 4	1	79	:
DrPc	406	SynPop1B	4 / 4	4	90	"T9HipKit1"
DrPc	407	SynPop1C	4 / 4	4	90	:

Категория	№ Арпеджио	Наименование арпеджио	Размер	Длина	Исходный темп	Тип голоса
DrPc	408	SynPp1D1	4 / 4	4	90	"T9HipKit1"
DrPc	409	SynPp1E1	4 / 4	4	90	:
DrPc	410	SynPp1F1	4 / 4	4	90	:
DrPc	411	SynPp1D2	4 / 4	2	90	:
DrPc	412	SynPp1E2	4 / 4	2	90	:
DrPc	413	SynPp1F2	4 / 4	4	90	:
DrPc	414	SyPp1Clp	4 / 4	2	90	:
DrPc	415	SynPp1Hh	4 / 4	2	90	:
DrPc	416	SynPop2A	4 / 4	2	90	"SynPopKit"
DrPc	417	SynPop2B	4 / 4	2	90	:
DrPc	418	SynPop2C	4 / 4	2	90	:
DrPc	419	SynPop2D	4 / 4	2	90	:
DrPc	420	SynPop2E	4 / 4	2	90	:
DrPc	421	RetroPpB	4 / 4	1	126	"House Kit1"
DrPc	422	RetroPpD	4 / 4	2	126	:
DrPc	423	RetroPpF	4 / 4	1	126	:
DrPc	424	Disco B	4 / 4	2	110	"DryStandrd"
DrPc	425	Disco C	4 / 4	2	110	:
DrPc	426	Disco D	4 / 4	2	110	:
DrPc	427	Disco E	4 / 4	2	110	:
DrPc	428	Disco A	4 / 4	1	110	:
DrPc	429	Disco F	4 / 4	2	110	:
DrPc	430	Disco G	4 / 4	1	110	:
DrPc	431	Disco H	4 / 4	1	110	:
DrPc	432	LatinHsB	4 / 4	4	138	"House Kit1"
DrPc	433	LatinHsF	4 / 4	4	138	:
DrPc	434	LatinHsH	4 / 4	4	138	:
DrPc	435	LatinRkB	4 / 4	2	120	"DryStandrd"
DrPc	436	LatinRkC	4 / 4	2	120	:
DrPc	437	LatinRkD	4 / 4	2	120	:
DrPc	438	LatinRkE	4 / 4	4	120	:
DrPc	439	LatinRkA	4 / 4	2	120	:
DrPc	440	LatinRkF	4 / 4	1	120	:
DrPc	441	LatinRkG	4 / 4	1	120	:
DrPc	442	LatinRkH	4 / 4	1	120	:
DrPc	443	Samba B	4 / 4	4	114	:
DrPc	444	Samba C	4 / 4	4	114	:
DrPc	445	Samba D	4 / 4	4	114	:
DrPc	446	Samba E	4 / 4	4	114	:
DrPc	447	Samba A	4 / 4	2	114	:
DrPc	448	Samba F	4 / 4	2	114	:
DrPc	449	Samba G	4 / 4	1	114	:
DrPc	450	Samba H	4 / 4	1	114	:
DrPc	451	Salsa B1	4 / 4	2	123	:
DrPc	452	Salsa C1	4 / 4	2	123	:
DrPc	453	Salsa D1	4 / 4	2	123	:
DrPc	454	Salsa E1	4 / 4	4	123	:
DrPc	455	Salsa A1	4 / 4	2	123	:
DrPc	456	Salsa A3	4 / 4	2	123	:
DrPc	457	Salsa F1	4 / 4	2	123	:
DrPc	458	Salsa G1	4 / 4	1	123	:
DrPc	459	Salsa H1	4 / 4	1	123	:
DrPc	460	Salsa B2	4 / 4	4	123	"Cuban"
DrPc	461	Salsa C2	4 / 4	4	123	:
DrPc	462	Salsa D2	4 / 4	4	123	:
DrPc	463	Salsa E2	4 / 4	4	123	:
DrPc	464	Salsa A2	4 / 4	4	123	:
DrPc	465	Salsa F2	4 / 4	2	123	:
DrPc	466	Salsa G2	4 / 4	1	123	:
DrPc	467	Salsa H2	4 / 4	1	123	:
DrPc	468	MontnoB1	4 / 4	2	100	"DryStandrd"
DrPc	469	MontnoC1	4 / 4	2	100	:
DrPc	470	MontnoD1	4 / 4	2	100	:
DrPc	471	MontnoE1	4 / 4	2	100	:
DrPc	472	MontnoA1	4 / 4	2	100	:
DrPc	473	MontnoF1	4 / 4	2	100	:
DrPc	474	MontnoG1	4 / 4	1	100	:
DrPc	475	MontnoH1	4 / 4	1	100	:
DrPc	476	MontnoB2	4 / 4	4	100	"Latin Perc"
DrPc	477	MontnoC2	4 / 4	4	100	:
DrPc	478	MontnoD2	4 / 4	4	100	:
DrPc	479	MontnoE2	4 / 4	4	100	:
DrPc	480	MontnoA2	4 / 4	4	100	:
DrPc	481	MontnoF2	4 / 4	4	100	:
DrPc	482	MontnoG2	4 / 4	1	100	:
DrPc	483	MontnoH2	4 / 4	1	100	:

Категория	№ Арпеджио	Наименование арпеджио	Размер	Длина	Исходный темп	Тип голоса
DrPc	484	Latin A	4 / 4	4	120	"Latin Perc"
DrPc	485	Latin B	4 / 4	4	120	:
DrPc	486	Latin C	4 / 4	4	120	:
DrPc	487	Latin D	4 / 4	4	120	:
DrPc	488	Latin E	4 / 4	4	120	:
DrPc	489	Regge1B1	4 / 4	4	102	"DryStandrd"
DrPc	490	Regge1C1	4 / 4	4	102	:
DrPc	491	Regge1D1	4 / 4	4	80	:
DrPc	492	Regge1E1	4 / 4	4	90	:
DrPc	493	Regge1A1	4 / 4	4	102	:
DrPc	494	Regge1F1	4 / 4	4	96	:
DrPc	495	Reggae1G	4 / 4	1	96	:
DrPc	496	Reggae1H	4 / 4	1	102	:
DrPc	497	Regge1B2	4 / 4	4	102	"Percussion"
DrPc	498	Regge1C2	4 / 4	4	102	:
DrPc	499	Regge1D2	4 / 4	4	80	:
DrPc	500	Regge1E2	4 / 4	4	90	:
DrPc	501	Regge1A2	4 / 4	4	102	:
DrPc	502	Regge1F2	4 / 4	4	96	:
DrPc	503	Reggae2B	4 / 4	2	92	"DryStandrd"
DrPc	504	Reggae2C	4 / 4	2	92	:
DrPc	505	Reggae2D	4 / 4	2	92	:
DrPc	506	Reggae2E	4 / 4	2	92	:
DrPc	507	Regge2A1	4 / 4	1	92	:
DrPc	508	Regge2A2	4 / 4	1	92	:
DrPc	509	Reggae2F	4 / 4	1	92	:
DrPc	510	Reggae2G	4 / 4	1	92	:
DrPc	511	Reggae2H	4 / 4	1	92	:
DrPc	512	SpanishB	4 / 4	2	120	"Hyper Std"
DrPc	513	SpanishC	4 / 4	2	120	:
DrPc	514	SpanishD	4 / 4	2	120	:
DrPc	515	SpanishE	4 / 4	2	120	:
DrPc	516	SpanshA1	4 / 4	1	120	:
DrPc	517	SpanshA2	4 / 4	1	120	:
DrPc	518	SpanishF	4 / 4	1	120	:
DrPc	519	SpanishG	4 / 4	1	120	:
DrPc	520	SpanishH	4 / 4	1	120	:
DrPc	521	TurkshB1	4 / 4	2	105	"Arabic Mix"
DrPc	522	TurkshC1	4 / 4	2	105	:
DrPc	523	TurkshD1	9 / 8	2	125	:
DrPc	524	TurkshE1	9 / 8	2	125	:
DrPc	525	TurkshA1	4 / 4	1	86	:
DrPc	526	TurkshA3	4 / 4	1	86	:
DrPc	527	TurkshF1	4 / 4	2	105	:
DrPc	528	TurkshG1	4 / 4	2	105	:
DrPc	529	TurkshH1	4 / 4	1	120	:
DrPc	530	TurkshB2	4 / 4	2	105	:
DrPc	531	TurkshC2	4 / 4	2	105	:
DrPc	532	TurkshD2	9 / 8	2	125	:
DrPc	533	TurkshE2	9 / 8	2	125	:
DrPc	534	TurkshA2	4 / 4	1	86	:
DrPc	535	TurkshA4	4 / 4	1	86	:
DrPc	536	TurkshF2	4 / 4	2	105	:
DrPc	537	TurkshG2	4 / 4	2	105	:
DrPc	538	TurkshH2	4 / 4	1	120	:
DrPc	539	Roll 1	4 / 4	1	120	GM map kit
DrPc	540	Roll 2	4 / 4	1	120	:
DrPc	541	Roll 3	4 / 4	1	120	:
DrPc	542	Roll 4	4 / 4	1	120	:
DrPc	543	BigBeat4	4 / 4	4	136	"Big Kit"
DrPc	544	BigBeat5	4 / 4	1	135	:
DrPc	545	BigBeat6	4 / 4	1	132	:
DrPc	546	BigBeat7	4 / 4	2	124	:
DrPc	547	BigBeat8	4 / 4	1	120	:
DrPc	548	BrkTrnce	4 / 4	1	130	"Tekno Kit"
DrPc	549	House14	4 / 4	1	123	"House Kit1"
DrPc	550	House15	4 / 4	2	128	:
DrPc	551	LoBeat5	4 / 4	4	180	"Break Kit"
DrPc	552	LoBeat6	4 / 4	1	87	:
DrPc	553	Linear	4 / 4	1	120	:
DrPc	554	08beat1	4 / 4	1	135	Sliced Dr Loop
DrPc	555	08beat2	4 / 4	1	135	:
DrPc	556	08beat3	4 / 4	1	135	:
DrPc	557	16beat1	4 / 4	1	135	:
DrPc	558	16beat2	4 / 4	1	135	:
DrPc	559	1Bar	4 / 4	1	135	:

Категория	№ Арпеджио	Наименование арпеджио	Размер	Длина	Исходный темп	Тип голоса
DrPc	560	1BarRndm	4 / 4	1	135	Sliced Dr Loop
Comb	001	Trancy1	4 / 4	1	140	Performance
Comb	002	Trancy2	4 / 4	4	140	:
Comb	003	Trancy3	4 / 4	16	140	:
Comb	004	SynPopA	4 / 4	4	90	:
Comb	005	SynPopB	4 / 4	4	90	:
Cntr	001	GateCut1	4 / 4	4	120	(CC#10,71,74)
Cntr	002	GateCut2	4 / 4	1	120	(CC#74)
Cntr	003	GateCut3	4 / 4	8	120	(CC#71,74)
Cntr	004	ModCtrl	4 / 4	4	64	(CC#1)
Cntr	005	ModCtrlU	4 / 4	4	90	:
Cntr	006	ArmDown	4 / 4	4	120	(PB, PB Range=12)
Cntr	007	BendVib	4 / 4	4	120	:
Cntr	008	BotDwVib	4 / 4	4	120	:
Cntr	009	BotUpVib	4 / 4	4	120	:
Cntr	010	CHVib	4 / 4	4	120	:
Cntr	011	HamVib	4 / 4	4	120	:
Cntr	012	PullVibA	4 / 4	4	120	:
Cntr	013	PullVibB	4 / 4	4	120	:
Cntr	014	SlideVib	4 / 4	4	120	:
Cntr	015	Trill 4	4 / 4	4	120	:
Cntr	016	Trill 5	4 / 4	4	120	:
Cntr	017	UDCHVib	4 / 4	4	120	:
Cntr	018	Vibra1	4 / 4	4	120	:
Cntr	019	Vibra2	4 / 4	4	120	:
Cntr	020	HipHop2C	4 / 4	2	94	(CC#10)
Cntr	021	HipHop2D	4 / 4	2	94	(CC#71,74)
Cntr	022	HipHop2H	4 / 4	1	94	(CC#71,74)
Cntr	023	ClubHs A	4 / 4	2	128	(CC#10)
Cntr	024	Garage2C	4 / 4	2	127	(CC#74)
Cntr	025	Garage2D	4 / 4	2	127	:
Cntr	026	Garage2G	4 / 4	1	127	:
Cntr	027	NewGos A	4 / 4	1	90	(CC#10,11)
Cntr	028	NewGos C	4 / 4	2	90	:
Cntr	029	NewGos D	4 / 4	2	90	:
Cntr	030	Trance A	4 / 4	4	140	(CC#74)
Cntr	031	Dream A	4 / 4	4	136	:
Cntr	032	ClubHs D	4 / 4	2	128	(CC#71,74)
Cntr	033	ClubHs G	4 / 4	1	128	(CC#71)
Cntr	034	ChilOutB	4 / 4	2	79	(CC#74)
Cntr	035	ChilOutE	4 / 4	2	79	(CC#11,74)
Cntr	036	ChilOutA	4 / 4	4	79	(CC#74)
Cntr	037	ChilOutH	4 / 4	1	79	:

* Настройки Note Limit, наиболее подходящие для каждого из Элементов голоса: 1-70, 71-90, 91-110, 111-127,

** Содержимое предоставлено Keyfax Now Media (www.keyfax.com).

Формат данных MIDI

Многие сообщения MIDI, приведенные в разделе «Формат данных MIDI», выражены в 16-ричной или двоичной форме. 16-ричные числа могут отмечаться буквой «H» в конце. Буква «H» означает определенное целое число. В таблице, приведенной ниже, устанавливается соответствие между десятичными числами и 16-ричными числами.

Десятичное	16-ричное	Десятичное	16-ричное
0	00	64	40
1	01	65	41
2	02	66	42
3	03	67	43
4	04	68	44
5	05	69	45
6	06	70	46
7	07	71	47
8	08	72	48
9	09	73	49
10	0A	74	4A
11	0B	75	4B
12	0C	76	4C
13	0D	77	4D
14	0E	78	4E
15	0F	79	4F
16	10	80	50
17	11	81	51
18	12	82	52
19	13	83	53
20	14	84	54
21	15	85	55
22	16	86	56
23	17	87	57
24	18	88	58
25	19	89	59
26	1A	90	5A
27	1B	91	5B
28	1C	92	5C
29	1D	93	5D
30	1E	94	5E
31	1F	95	5F
32	20	96	60
33	21	97	61
34	22	98	62
35	23	99	63
36	24	100	64
37	25	101	65
38	26	102	66
39	27	103	67
40	28	104	68
41	29	105	69
42	2A	106	6A
43	2B	107	6B
44	2C	108	6C
45	2D	109	6D
46	2E	110	6E
47	2F	111	6F
48	30	112	70
49	31	113	71
50	32	114	72
51	33	115	73
52	34	116	74
53	35	117	75
54	36	118	76
55	37	119	77
56	38	120	78
57	39	121	79
58	3A	122	7A
59	3B	123	7B
60	3C	124	7C
61	3D	125	7D
62	3E	126	7E
63	3F	127	7F

ПАРТИЯ СЕКВЕНСОРА / СИНТЕЗАТОРА

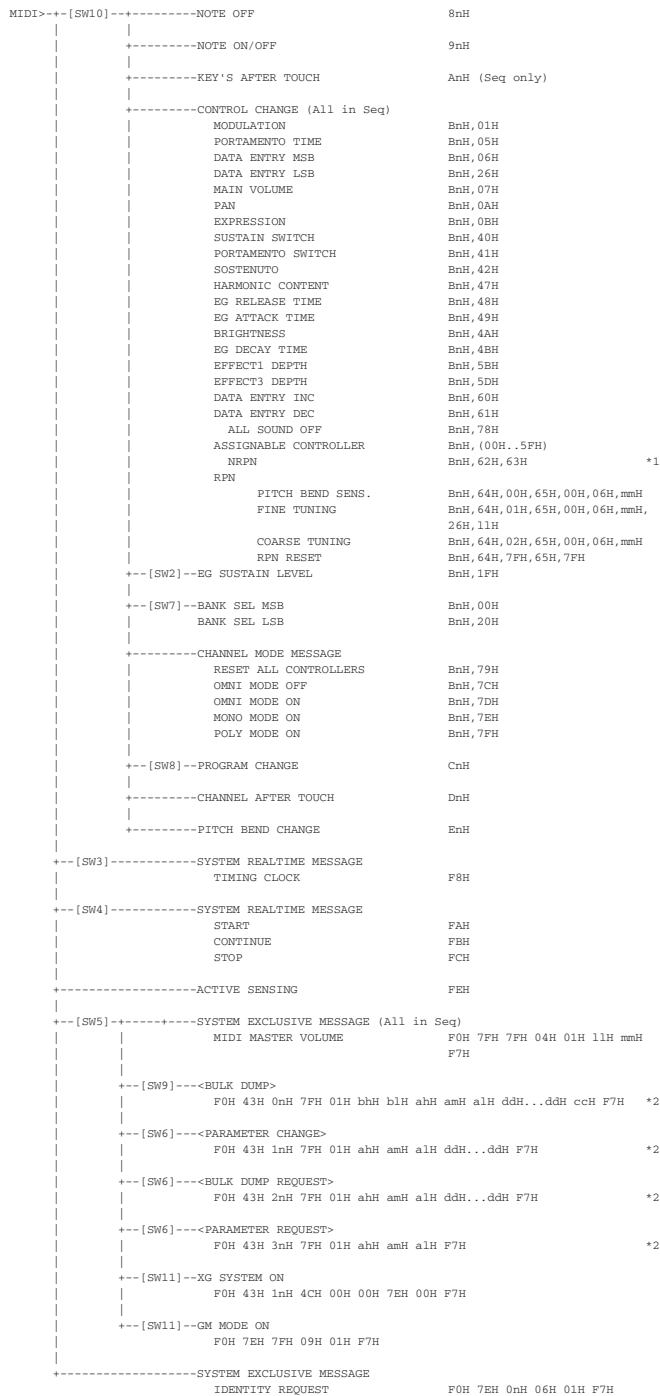
(1) ПОТОК ПЕРЕДАЧИ

MIDI <-- [SW1] -----	NOTE ON/OFF	9nH
OUT		
	-----KEY'S AFTER TOUCH	AnH (Seq only)
	-----CONTROL CHANGE (All in Seq)	
	MODULATION	BnH, 01H
	VOLUME	BnH, 07H
	PAN	BnH, 0AH
	SUSTAIN SWITCH	BnH, 40H
	FILTER RESONANCE	BnH, 47H
	EG RELEASE TIME	BnH, 48H
	EG ATTACK TIME	BnH, 49H
	FILTER CUTOFF FREQ	BnH, 4AH
	EG DECAY TIME	BnH, 4BH
	REVERB SEND	BnH, 5BH
	CHORUS SEND	BnH, 5DH
	ASSIGNABLE CONTROLLERS	BnH, (00H..5FH)
	SEQ REMOTE CONTROL	BnH, (00H..7FH)
	--[SW7]--BANK SEL MSB	BnH, 00H
	BANK SEL LSB	BnH, 20H
	-----CHANNEL MODE MESSAGE (Seq only)	
	RESET ALL CONTROLLERS	BnH, 79H
	LOCAL CONTROL	BnH, 7AH
	OMNI MODE OFF	BnH, 7CH
	OMNI MODE ON	BnH, 7DH
	MONO MODE ON	BnH, 7EH
	POLY MODE ON	BnH, 7FH
	--[SW8]--PROGRAM CHANGE	CnH
	-----CHANNEL AFTER TOUCH	DnH
	-----PITCH BEND CHANGE	EnH
	--[SW4]-----SYSTEM COMMON MESSAGE	
	SONG POSITION POINTER	F2H
	--[SW3]-----SYSTEM REALTIME MESSAGE	
	TIMING CLOCK	F8H
	--[SW4]-----SYSTEM REALTIME MESSAGE	
	START	FAH
	CONTINUE	FBH
	STOP	FCH
	-----ACTIVE SENSING	FEH
	--[SW5]-----SYSTEM EXCLUSIVE MESSAGE (All in Seq)	
	--[SW6]--<BULK DUMP>	
	FOH 43H 0nH 7FH 01H bhH b1H ahH amH alH ddH...ddH ccH F7H	*3
	--[SW6]--<PARAMETER CHANGE>	
	FOH 43H 1nH 7FH 01H ahH amH alH ddH...ddH F7H	*3
	-----SYSTEM EXCLUSIVE MESSAGE	
	IDENTITY REPLY	
	FOH 7EH 7FH 06H 02H 43H 00H 41H 32H 06H 00H 00H 00H 7FH F7H	
[SW1]	MIDI Transmit Channel	
	In the Master mode: complies with Zone Transmit Channel.	
	In the mode other than the Master: complies with Keyboard Transmit Channel.	
[SW2]	MIDI Control Mode	
[SW3]	MIDI Clock Out	
[SW4]	Seq Control	
[SW5]	MIDI Device Number	
	When set to all, transmitted via 1.	
[SW6]	The System data can be transmitted/recognized in any mode.	
	Regarding the other types of data, it depends on the current mode whether they can be transmitted/recognized or not.	
[SW7]	System Bank Select Switch	
[SW8]	System Program Change Switch	

Дополнительные примечания

- Например, 144 - 159 (десятичные) / 9nH/ 1001 0000 - 1001 1111 (Двоичные) означают сообщение включения ноты соответственно для каналов с 1-го по 16-й. 176 - 191 / VnH/ 1011 0000 - 1101 1111 означают сообщение изменения программы соответственно для каналов с 1-го по 16-й. 240 / FOH/ 1111 0000 располагается в начале данных и означает эксклюзивное системное сообщение.
- aaH (16-ричное) / 0aaaaaa (Двоичное) означает адреса данных. Адреса данных содержат High, Mid и Low.
- bbH / 0bbbbbb означает счетчик битов.
- ccH / 0ccccccc означает контрольную сумму.
- ddH / 0dddddd означает данные / значение.

(2) RECEIVE FLOW



- [SW2] MIDI Control Mode
- [SW3] MIDI Sync (can be set to "internal" or "MIDI")
- [SW4] Seq MIDI Control
- [SW5] MIDI Device Number
When this is not set to off, the MIDI Master Volume can be recognized in any mode.
- [SW6] The System data can be transmitted/recognized in any mode.
Regarding the other types of data, it depends on the current mode whether they can be transmitted/recognized or not.
- [SW7] System Bank Select Switch
- [SW8] System Program Change Switch
- [SW9] System Bulk Protect and same as SW6.
- [SW10] MIDI Receive Channel and Receive Filter
In the Multi mode: complies with Part Receive Channel and Part Receive Switch.
In the other mode: complies with Basic Receive Channel.
- [SW11] SYSTEM Receive GM/XG On

*1: Доступно только для вставленных голосов.
*2: Распознается / передается только при выборе вставленного голоса CS6X (MODEL ID = 0x64).

(3) ПРИЕМ / ПЕРЕДАЧА ДАННЫХ

(3-1) СООБЩЕНИЯ ГОЛОСА КАНАЛА

(3-1-1) NOTE OFF

STATUS	1000nnnn (8nH)	n = 0 - 15 CHANNEL NUMBER
NOTE No.	0kkkkkkk	k = 0 (C-2) - 127 (G8)
VELOCITY	0vvvvvvv	V: ignored
Receive only		

(3-1-2) NOTE ON/OFF

STATUS	1001nnnn (9nH)	n = 0 - 15 CHANNEL NUMBER
NOTE NUMBER	0kkkkkkk	k = 0 (C-2) - 127 (G8)
VELOCITY	0vvvvvvv (v≠0)	
	NOTE OFF	0vvvvvvv (v=0)

(3-1-3) CONTROL CHANGE

STATUS	1011nnnn (BnH)	n = 0 - 15 CHANNEL NUMBER
CONTROL NUMBER	0cececcc	
CONTROL VALUE	0vvvvvvv	

*TRANSMITTED CONTROL NUMBER

c = 0	BANK SEL MSB	; v = 0 - 127	*3
c = 32	BANK SEL LSB	; v = 0 - 127	*3
c = 1	MODULATION	; v = 0 - 127	
c = 7	MAIN VOLUME	; v = 0 - 127	
c = 10	PAN	; v = 0 - 127	
c = 11	EXPRESSION	; v = 0 - 127	
c = 64	SUSTAIN SWITCH	; v = 0, 127	
c = 71	FILTER RESONANCE	; v = 0:-64 - 64: 0 - 127:+63	
c = 72	EG RELEASE TIME	; v = 0:-64 - 64: 0 - 127:+63	
c = 73	EG ATTACK TIME	; v = 0:-64 - 64: 0 - 127:+63	
c = 74	FILTER CUTOFF FRQ	; v = 0:-64 - 64: 0 - 127:+63	
c = 75	EG DECAY TIME	; v = 0:-64 - 64: 0 - 127:+63	
c = 91	REVERB SEND	; v = 0, 127	
c = 93	CHORUS SEND	; v = 0, 127	
c = 0..95	ASSIGNABLE CONTROLLERS	; v = 0 - 127	*6

The Sequencer Part will play back all recorded control change messages.

*RECEIVED CONTROL NUMBER

c = 0	BANK SEL MSB	; v = 0 - 127	*3
c = 32	BANK SEL LSB	; v = 0 - 127	*3
c = 1	MODULATION	; v = 0 - 127	
c = 5	PORTAMENTO TIME	; v = 0 - 127	*2
c = 6	DATA ENTRY MSB	; v = 0 - 127	*1
c = 38	DATA ENTRY LSB	; v = 0 - 127	*1
c = 7	MAIN VOLUME	; v = 0 - 127	
c = 10	PAN	; v = 0 - 127	
c = 11	EXPRESSION	; v = 0 - 127	
c = 31	EG SUSTAIN LEVEL	; v = 0:-64 - 64:0 - 127:+63	*2,*5
c = 64	SUSTAIN SWITCH	; v = 0 - 127	*2
c = 65	PORTAMENTO SWITCH	; v = 0 - 63:OFF, 64 - 127:ON	*2
c = 66	SOSTENUTO	; v = 0 - 63:OFF, 64 - 127:ON	*2
c = 71	HARMONIC CONTENT	; v = 0:-64 - 64:0 - 127:+63	
c = 72	EG RELEASE TIME	; v = 0:-64 - 64:0 - 127:+63	*2
c = 73	EG ATTACK TIME	; v = 0:-64 - 64:0 - 127:+63	
c = 74	BRIGHTNESS	; v = 0:-64 - 64:0 - 127:+63	
c = 75	EG DECAY TIME	; v = 0:-64 - 64:0 - 127:+63	
c = 91	EFFECT1 DEPTH	; v = 0 - 127	
c = 93	EFFECT3 DEPTH	; v = 0 - 127	
c = 96	DATA ENTRY INC	; v = 127	*1
c = 97	DATA ENTRY DEC	; v = 127	*1
c = 0..95	ASSIGNABLE CONTROLLER	; v = 0 - 127	*6
c = 0..95	ARPEGGIO SW	; v = 0 - 63:OFF, 64 - 127:ON	*6
c = 0..95	ARPEGGIO HOLD	; v = 0 - 63:OFF, 64 - 127:ON	*6

*1 Используется только если значение установлено с помощью PRN.
*2 Не действует для голосов ударных инструментов.
*3 Между BANK CHANGE и PROGRAM установлены следующие соотношения:

CATEGORY	MSB	LSB	PROGRAM No.
GM Voice	0	0	0..127 (1..128)
GM Drum Voice	127	0	0..1 (1..2)
Normal Voice Preset 1	63	0	0..127 (1..128)
Preset 2	63	1	0..127 (1..128)
Preset 3	63	2	0..127 (1..128)
Preset 4	63	3	0..127 (1..128)
User1	63	8	0..127 (1..128)
User2	63	9	0..127 (1..128)
Drum Voice Preset	63	32	0..63 (1..64)
User	63	40	0..31 (1..32)
Plug-in Voice User 1	63	24	0..63 (1..64)
User 2	63	25	0..63 (1..64)
User 3	63	26	0..63 (1..64)
Performance User	63	64	0..127 (1..128)
Multi User	63	65	0..63 (1..64)
Plug-in Voice Preset 1 (Slot1)	63	70	0..63 (1..64) *4
Preset 2 (Slot1)	63	71	0..63 (1..64) *4
Preset 3 (Slot1)	63	72	0..63 (1..64) *4
Preset 1 (Slot2)	63	73	0..63 (1..64) *4
Preset 2 (Slot2)	63	74	0..63 (1..64) *4
Preset 3 (Slot2)	63	75	0..63 (1..64) *4
Preset 1 (Slot3)	63	76	0..63 (1..64) *4
Preset 2 (Slot3)	63	77	0..63 (1..64) *4
Preset 3 (Slot3)	63	78	0..63 (1..64) *4

*4 Может выбираться только в том случае, когда установлена соответствующая вставная панель.
*5 Передается / принимается только при выборе варианта MODE2 для параметра Control Change Mode!
*6 Исходные значения контрольных номеров для ASSIGNABLE CONTROLLER:

BREATH CONTROLLER	2
FOOT CONTROLLER	4
Assign 1	16
Assign 2	17
Assign A	18
Assign B	19
FOOT SWITCH	88
ARPEGGIO HOLD	89
ARPEGGIO SWITCH	90

Параметр PORTAMENTO TIME определяет время, за которое высота тона достигает следующей ноты, исполняемой при включенном PORTAMENTO SWITCH.

Панорама меняет свое относительное положение в соответствии со значением предварительной настройки для каждого из голосов.

EFFECT1 DEPTH управляет уровнем передачи реверберации.

EFFECT3 DEPTH управляет уровнем передачи хоруса.

HARMONIC CONTENT регулирует предварительную настройку резонанса для каждого из голосов. Установленное значение прибавляется к центральному значению, 64, или вычитается из него, так как это параметр смещения. Чем больше значение, тем больше резонансов будет в итоговом звучании. Эффективный диапазон может быть уже, чем диапазон, который Вы можете назначить - в зависимости от выбранного голоса.

Параметры EG ATTACK, EG DECAY TIME, EG SUSTAIN LEVEL и EG RELEASE TIME регулируют предварительную настройкугибающей для каждого из голосов. Установленное значение прибавляется к центральному значению, 64, или вычитается из него, так как это параметр смещения.

BRIGHTNESS регулирует предварительную настройку частоты среза для каждого из голосов. Установленное значение прибавляется к центральному значению, 64, или вычитается из него, так как это параметр смещения. Чем меньше это значение, тем ниже будет частота среза. Эффективный диапазон может быть уже, чем диапазон, который Вы можете назначить - в зависимости от выбранного голоса.

Выбор банка реально выполняется при приеме программного изменения. Значения Bank Select и Program Change, которые не поддерживаются Yamaha, будут игнорироваться, однако будут передаваться во вставленную панель.

(3-1-4) PROGRAM CHANGE

STATUS	1100nnnn (CnH)	n = 0 - 15 CHANNEL NUMBER
PROGRAM NUMBER	0ppppppp	p = 0 - 127

(3-1-5) CHANNEL AFTER TOUCH

STATUS	1101nnnn (DnH)	n = 0 - 15 CHANNEL NUMBER
VALUE	0vvvvvvv	v = 0 - 127 AFTER TOUCH VALUE

(3-1-6) PITCH BEND CHANGE

STATUS	1110nnnn (EnH)	n = 0 - 15 CHANNEL NUMBER
LSB	0vvvvvvv	PITCH BEND CHANGE LSB
MSB	0vvvvvvv	PITCH BEND CHANGE MSB

Передача с разрешением 7 бит.

(3-2) СООБЩЕНИЯ РЕЖИМА КАНАЛА

STATUS	1011nnnn (BnH)	n = 0 - 15 CHANNEL NUMBER
CONTROL NUMBER	0ccccccc	c = CONTROL NUMBER
CONTROL VALUE	0vvvvvvv	v = DATA VALUE

(3-2-1) ALL SOUND OFF (CONTROL NUMBER = 78H, DATA VALUE = 0)

Все воспроизводящиеся в данный момент звуки в определенном канале, включая такие сообщения канала, как note-on и hold-on, при приеме данного сообщения будут отключены.

(3-2-2) RESET ALL CONTROLLERS (CONTROL NUMBER = 79H, DATA VALUE = 0)

Сброс установленных значений для перечисленных ниже контроллеров.

PITCH BEND CHANGE	0 (center)
CHANNEL AFTER TOUCH	0 (minimum)
MODULATION	0 (minimum)
EXPRESSION	127 (maximum)
BREATH CONTROLLER	127 (maximum)
FOOT CONTROLLER	127 (maximum)
Assign A	0 (center)
Assign B	0 (center)
Assign 1	0 (center)
Assign 2	0 (center)
SUSTAIN SWITCH	0 (off)
SOSTENUTO SWITCH	0 (off)
RPN	Следующие данные не сбрасываются:

PROGRAM CHANGE, BANK SELECT MSB/LSB, VOLUME, PAN, HARMONIC CONTENT, SUSTAIN LEVEL, RELEASE TIME, ATTACK TIME, DECAY TIME, BRIGHTNESS, EFFECT SEND LEVEL 1, EFFECT SEND LEVEL 3, PORTAMENTO SWITCH, PITCH BEND SENSITIVITY, FINE TUNING, COARSE TUNING

(3-2-3) ALL NOTE OFF (CONTROL NUMBER = 7BH, DATA VALUE = 0)

Все установленные в данный момент ноты в определенном канале, при приеме данного сообщения будут отключены. Однако, если включены Sustain или Sostenuto, ноты продолжают звучать, пока не завершатся.

(3-2-4) OMNI MODE OFF (CONTROL NUMBER = 7CH, DATA VALUE = 0)

Выполняет ту же функцию, что и при приеме ALL NOTES OFF. Устанавливает VOICE RECEIVE CHANNEL в состояние «OMNI OFF», канал 1.

(3-2-5) OMNI MODE ON (CONTROL NUMBER = 7DH, DATA VALUE = 0)

Выполняет ту же функцию, что и при приеме ALL NOTES OFF. Устанавливает VOICE RECEIVE CHANNEL в состояние «OMNI ON».

(3-2-6) MONO (CONTROL NUMBER = 7EH, DATA VALUE = 0..16)

Выполняет ту же функцию, что и при приеме ALL SOUND OFF. Если 3-й байт (mono) имеет значение от 0 до 16, канал перейдет в режим Mode4 (m = 1). В режиме Voice может устанавливаться режим Mode2 (m = 1) - в соответствии с VOICE RECEIVE CHANNEL.

(3-2-7) POLY (CONTROL NUMBER = 7FH, DATA VALUE = 0)

Выполняет ту же функцию, что и при приеме ALL SOUND OFF. Канал перейдет в режим Mode3. В режиме Voice может устанавливаться режим Mode1 - в соответствии с VOICE RECEIVE CHANNEL.

(3-3) НОМЕР ЗАРЕГИСТРИРОВАННОГО ПАРАМЕТРА

STATUS	1011nnnn (BnH)	n = 0 - 15 CHANNEL NUMBER
LSB	01100100 (64H)	
RPN LSB	0ppppppp	p = RPN LSB (Refer to the table as shown below.)
MSB	01100101 (65H)	
RPN MSB	0qqqqqqq	q = RPN MSB (Refer to the table as shown below.)
DATA ENTRY MSB	00000110 (06H)	
DATA VALUE	0mmmmmmm	m = Data Value
DATA ENTRY LSB	00100110 (26H)	
DATA VALUE	01111111	l = Data Value

Сначала назначьте параметр с помощью номеров PRN MSB/LSB. Затем установите его значение в соответствии с введенными в MSB/LSB данными.

RPN	D_ENTRY	PARAMETER NAME	DATA RANGE
00H 00H	mmH ---	PITCH BEND SENSITIVITY	00H-18H (0-24 semitones)
01H 00H	mmH 11H	MASTER FINE TUNE	{mmH, 11H} = {00H, 00H} - {40H, 00H} - {7FH, 7FH} (-8192*100/8192) - 0 - (+8192*100/8192)
02H 00H	mmH ---	MASTER COARSE TUNE	28H-40H-58H (-24-0-+24 semitones)
7FH 7FH	--- ---	RPN RESET	

RPN numbers will be left not designated.
The internal values are not affected.

(3-4) НОМЕР НЕЗАРЕГИСТРИРОВАННОГО ПАРАМЕТРА

Применимые параметры отсутствуют. Они передаются во вставленную панель.

(3-5) СИСТЕМНЫЕ СООБЩЕНИЯ РЕАЛЬНОГО ВРЕМЕНИ

(3-5-1) ACTIVE SENSING

STATUS	11111110 (FEH)
--------	----------------

Передается каждые 200 мс. Сразу же по приеме кода инструмент начинает передачу. Если состояние или данные не передаются свыше приблизительно 350 мс, буфер приема MIDI очищается, и воспроизводимые в данный момент звуки отключаются.

(3-6) ЭКСКЛЮЗИВНЫЕ СИСТЕМНЫЕ СООБЩЕНИЯ

(3-6-1) UNIVERSAL NON REALTIME MESSAGE

(3-6-1-1) GENERAL MIDI MODE ON

F0H 7EH 7FH 09H 01H F7H
Вставляемая панель PLG100-XG, если она установлена в инструменте, будет принимать данное сообщение, если инструмент находится в режиме Multi, а прием SYSTEM Receive GM/XG разрешен. Значение Part будет сброшено в соответствии с параметрами SYSTEM Internal Part. Встроенный блок тонального генератора будет принимать данное сообщение, если инструмент находится в режиме Multi.

(3-6-1-2) IDENTITY REQUEST (Receive only)

F0H 7EH 0nH 06H 01H F7H
(*"n" = Device No. However, this instrument receives under "omni.")

(3-6-1-3) IDENTITY REPLY (Transmit only)

F0H 7EH 7FH 06H 02H 43H 00H 41H d4H ddH 00H 00H 00H 7FH F7H
dd; Device Number Code
S90 ES: 32 06

(3-6-2) UNIVERSAL REALTIME MESSAGE

(3-6-2-1) MIDI MASTER VOLUME

F0H 7FH 7FH 04H 01H 11H mmH F7H
Устанавливает значение MASTER VOLUME. Значение «m» используется для установки общей громкости (значение «l» игнорируется).

(3-6-3) PARAMETER CHANGE

(3-6-3-1) XG SYSTEM ON

11110000	F0	Exclusive Status
01000011	43	YAMAHA ID
0001nnnn	1n	Device Number
01001100	4C	Model ID
0aaaaaaa	0	Address High
0aaaaaaa	0	Address Mid
0aaaaaaa	7E	Address Low
0	0	Data
11110111	F7	End of Exclusive

Вставляемая панель PLG100-XG, если она установлена в инструменте, будет принимать данное сообщение, если инструмент находится в режиме Multi, а прием SYSTEM Receive GM/XG разрешен. Значение Part будет сброшено в соответствии с параметрами SYSTEM Internal Part. Встроенный блок тонального генератора не будет принимать данное сообщение. Соблюдайте внимание, так как выполнение данного сообщения занимает около 170 мс, и перед выполнением следующего сообщения необходимо выдержать соответствующий интервал.

(3-6-3-2) NATIVE PARAMETER CHANGE, MODE CHANGE

11110000	F0	Exclusive Status
01000011	43	YAMAHA ID
0001nnnn	1n	Device Number
01111111	7F	Model ID
00000000	00	Model ID
0aaaaaaa	aaaaaaa	Address High
0aaaaaaa	aaaaaaa	Address Mid
0aaaaaaa	aaaaaaa	Address Low
0ddddd	ddddd	Data
11110111	F7	End of Exclusive

Для параметров с объемом данных 2 или более передается соответствующее количество байтов данных. См. ниже таблицу данных MIDI, где приведены адреса и счетчики битов. В режиме REMOTE SWITCH параметр Device Number будет приниматься вне зависимости от значения.

(3-6-4) BULK DUMP

11110000	F0	Exclusive Status
01000011	43	YAMAHA ID
0000nnnn	0n	Device Number
01111111	7F	Model ID
00000000	00	Model ID
0bbbbbbb	bbbbbbb	Byte Count
0bbbbbbb	bbbbbbb	Byte Count
0aaaaaaa	aaaaaaa	Address High
0aaaaaaa	aaaaaaa	Address Mid
0aaaaaaa	aaaaaaa	Address Low
0	0	Data
0ccccccc	ccccccc	Check-sum
11110111	F7	End of Exclusive

См. таблицу пересылки массива данных BULK DUMP ниже.
Контрольная сумма представляет собой дополнение до 0 7 младших битов после сложения счетчика битов, начального адреса, данных и собственно контрольной суммы.

(3-6-5) DUMP REQUEST

11110000	F0	Exclusive Status
01000011	43	YAMAHA ID
0010nnnn	2n	Device Number
01111111	7F	Model ID
00000000	00	Model ID
0aaaaaaa	aaaaaaa	Address High
0aaaaaaa	aaaaaaa	Address Mid
0aaaaaaa	aaaaaaa	Address Low
11110111	F7	End of Exclusive

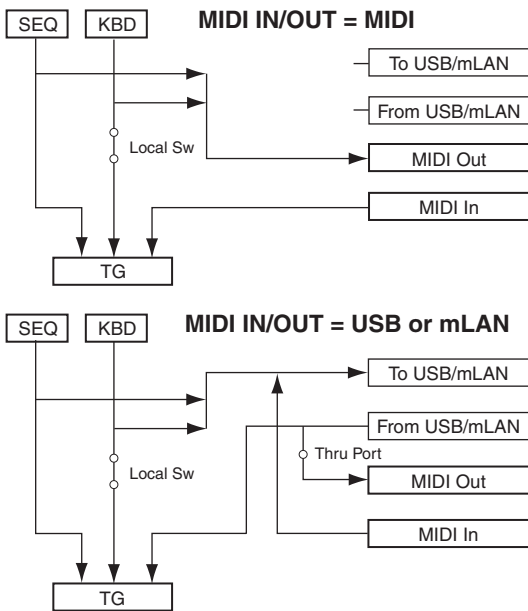
См. таблицу запроса пересылки DUMP REQUEST ниже, где приведены адрес и счетчик битов.

(3-6-6) PARAMETER REQUEST

11110000	F0	Exclusive Status
01000011	43	YAMAHA ID
0011nnnn	3n	Device Number
01111111	7F	Model ID
00000000	00	Model ID
0aaaaaaa	aaaaaaa	Address High
0aaaaaaa	aaaaaaa	Address Mid
0aaaaaaa	aaaaaaa	Address Low
11110111	F7	End of Exclusive

См. ниже таблицу данных MIDI, где приведены адреса и счетчики битов.

(4) ОБЗОР СИСТЕМЫ
(Клавиатура, секвенсор и тональный генератор)



Хотя три типа данных (note on / note off, принимаемые по интерфейсу MIDI, воспроизводимые встроенным секвенсором и исполняемые на клавиатуре), будут различаться, другие контроллеры (сообщения каналов) реагируют на все ноты одинаково.

Сигнал ALL SOUNDS OFF стирает все звуки в заданных каналах и клавиатуры, и данных, поступающих через MIDI.

Сигнал ALL SOUNDS OFF, принятый через MIDI, стирает звуки в заданных каналах, которые воспроизводятся через MIDI.

Таблица данных MIDI

Выбор банка

Выбор доступного банка/Изменение программы

MSB	(16-ричное)	LSB	(16-ричное)	№ программы	Тип	Память	Описание
0	00	0	00	0 – 127	Normal Voice	GM Voice	
127	7F	0	00	0	Drum Voice	GM Drum	
63	3F	0	00	0 – 127	Normal Voice	Preset 1	
		1	01	0 – 127		Preset 2	
		2	02	0 – 127		Preset 3	
		8	08	0 – 127		User 1	
		9	09	0 – 127		User 2	
		32	20	0 – 63	Drum Voice	Preset	
		40	28	0 – 31		User	
		24	18	0 – 63	Plug-in Voice	User 1 (Slot1)	
		25	19	0 – 63		User 2 (Slot2)	
		26	1A	0 – 63		User 3 (Slot3)	
		70	46	0 – 63		Preset 1 (Slot1)	Может выбираться при подсоединении вставной панели к гнезду 1.
		71	47	0 – 63		Preset 2 (Slot1)	
		72	48	0 – 63		Preset 3 (Slot1)	
		73	49	0 – 63		Preset 1 (Slot2)	Может выбираться при подсоединении вставной панели к гнезду 2.
		74	4A	0 – 63		Preset 2 (Slot2)	
		75	4B	0 – 63		Preset 3 (Slot2)	
		76	4C	0 – 63		Preset 1 (Slot3)	Может выбираться при подсоединении вставной панели к гнезду 3.
		77	4D	0 – 63		Preset 2 (Slot3)	
		78	4E	0 – 63		Preset 3 (Slot3)	
В зависимости от установленной вставной панели.					Plug-in Direct-		
63	3F	64	40	0 – 127	Performance	User (Internal)	
		65	41	0 – 63	Multi	User (Internal)	

Если после включения какого-либо из режимов принимается только сообщение Program Change, вызывается соответствующий выбранным Типу и Памяти голос.

Параметр Master number и режим Voice / Performance / Multi могут изменяться только с помощью сообщений об изменениях параметров Parameter Change.

В режиме Performance параметр Part Voice изменить с помощью сообщения Program Change невозможно.

Режим Multi можно переключить только при установке Bank Select MSB / LSB и приеме сообщения Program Change (номер канала MIDI: BasicRcvCh).

Если в режиме Multi только принимается сообщение Program Change, изменение программы применяется ко всем партиям.

Адрес базы параметров

Блок параметров	Старший адрес			Описание
	H	M	L	
SYSTEM	00	00	00	System
	00	10	00	Plug-in Board Native System
	00	20	00	Master EQ for Voice
	00	21	00	Master Effect for Voice
	00	22	00	Master Effect Slider Setting
	0A	00	00	Mode Change
MODE CHANGE	0E	00	00	Header
BULK CONTROL	0F	00	00	Footer
	10	00	00	Header
MULTIPLE BULK CONTROL	11	00	00	Footer
	33	00	00	Common
MASTER KEYBOARD	32	00	00	Zone1
				:
	32	03	00	Zone4
	30	00	00	Performance Common
PERFORMANCE COMMON	31	00	00	Part1
PERFORMANCE PART				:
	31	03	00	Part4
	31	60	00	Plug-in 1 Part
	31	61	00	Plug-in 2 Part
	31	62	00	Plug-in 3 Part
	34	40	00	Audio Input Part1
				:
	34	44	00	Audio Input Part5
	40	00	00	Common1
	40	00	40	Common2
40	01	00	Reverb	
40	02	00	Chorus	
40	03	00	Insertion A	
40	04	00	Insertion B	
40	05	00	Controller	
40	06	00	LFO	
40	70	00	Extra	
NORMAL VOICE ELEMENT GROUP 1	41	ee	00	ee: Element No.
NORMAL VOICE ELEMENT GROUP 2	42	ee	00	ee: Element No.
NORMAL VOICE ELEMENT GROUP 3	43	ee	00	ee: Element No.
NORMAL VOICE ELEMENT GROUP 4	44	ee	00	ee: Element No.
DRUM COMMON	46	00	00	Common1
	46	00	40	Common2
	46	01	00	Reverb
	46	02	00	Chorus
	46	03	00	Insertion A
	46	04	00	Insertion B
	46	05	00	Controller
	46	70	00	Extra
	47	ee	00	ee: Element No.
48	ee	00	ee: Element No.	
49	ee	00	ee: Element No.	
4A	ee	00	ee: Element No.	
VOICE PLUG-IN	4C	00	00	Common
	4C	01	00	Reverb
	4C	02	00	Chorus
	4C	03	00	Insertion A
	4C	04	00	Insertion B
	4C	05	00	Controller
	4C	10	00	Plug-in XG Part
	4C	20	00	Native
4C	70	00	Extra	
MULTI COMMON	36	00	00	Multi Common
MULTI PART	37	00	00	Part1
				:
	37	0F	00	Part16
	37	60	00	Plug-in 1 Part
	37	61	00	Plug-in 2 Part
	37	62	00	Plug-in 3 Part
	38	40	00	Audio Input Part1
			:	
38	44	00	Audio Input Part5	

Блок пересылки массива данных (Bulk Dump)

«Старший адрес» означает старший адрес каждого блока, предназначенного для пересылки массива данных.

«Счетчик битов» означает объем данных, содержащихся в каждом блоке, предназначенного для пересылки массива данных.

Блоки от заголовка Block Header до примечания Block Footer могут передаваться независимо друг от друга. Они могут приниматься, даже если не все из них переданы. Если в состав блока включен несоответствующий блок, данные не будут приниматься.

Чтобы выполнить запрос пересылки данных 1 Performance / 1 Voice, назначьте их соответствующие адреса заголовков.

Относительно информации о «mm» и «nn», приведенной в следующем перечне, обратитесь к приведенной ниже таблице «ТАБЛИЦА ОБМЕНА ПАРАМЕТРОВ MIDI (УПРАВЛЕНИЕ ПЕРЕСЫЛКОЙ МАССИВОВ ДАННЫХ)».

Блок параметров	Описание	Счетчик битов		Старший адрес		
		Десятич.	16-рич.	H	M	L
SYSTEM	System	60	003C	00	00	00
	Plug-in Board Native System	48	0030	00	10	00
	Master EQ (for Voice Mode)	20	0014	00	20	00
	Master Effect (for Voice Mode)	35	0023	00	21	00
	Master Effect Slider Setting	32	0020	00	22	00
MASTER KEYBOARD	Bulk Header	0	00	0E	mm	nn
	Common	19	0013	33	00	00
	Zone1	16	0010	32	00	00
	:	4 Blocks	:	:	:	:
	Zone4	16	0010	32	03	00
	Bulk Footer	0	00	0F	mm	nn
PERFORMANCE	Bulk Header	0	00	0E	mm	nn
COMMON	Common	101	0065	30	00	00
	Reverb	36	0024	30	01	00
	Chorus	37	0025	30	02	00
	Insertion A (for Analog Part)	34	0022	30	03	00
	Insertion B (for Analog Part)	34	0022	30	04	00
	Master EQ	20	0014	30	10	00
	Master Effect	35	0023	30	11	00
	Native (for InsEF Plug-in)	68	0044	30	20	00
PART	Part1	58	003A	31	00	00
	:	4 Blocks	:	:	:	:
	Part4	58	003A	31	03	00
PLUG-IN PART	Plug-in 1 Part	58	003A	31	60	00
	:	3 Blocks	:	:	:	:
	Plug-in 3 Part	58	003A	31	62	00
AUDIO INPUT PART	Audio Input Part 1	8	0008	34	40	00
	:	5 Blocks	:	:	:	:
	Audio Input Part 5	8	0008	34	44	00
	Bulk Footer	0	00	0F	mm	nn
VOICE (NORMAL)	Bulk Header	0	00	0E	mm	nn
COMMON	Extra	82	0052	40	70	00
	Common1	17	0011	40	00	00
	Common2	4	0004	40	00	40
	Reverb	36	0024	40	01	00
	Chorus	37	0025	40	02	00
	Insertion A	34	0022	40	03	00
	Insertion B	34	0022	40	04	00
	Controller	30	001E	40	05	00
	LFO	38	0026	40	06	00
ELEMENT 1	Oscillator	29	001D	41	00	00
	Amplitude	30	001E	41	00	20
	Pitch	30	001E	42	00	00
	Filter	50	0032	43	00	00
	EQ	8	0008	44	00	00
	LFO1	8	0008	44	00	40
	LFO2	4	0004	44	00	50
ELEMENT 2	Oscillator	29	001D	41	01	00
	Amplitude	30	001E	41	01	20
	Pitch	30	001E	42	01	00
	Filter	50	0032	43	01	00
	EQ	8	0008	44	01	00
	LFO1	8	0008	44	01	40
	LFO2	4	0004	44	01	50

Блок параметров	Описание	Счетчик битов		Старший адрес		
		Десятич.	16-рич.	H	M	L
ELEMENT 3	Oscillator	29	001D	41	02	00
	Amplitude	30	001E	41	02	20
	Pitch	30	001E	42	02	00
	Filter	50	0032	43	02	00
	EQ	8	0008	44	02	00
	LFO1	8	0008	44	02	40
	LFO2	4	0004	44	02	50
ELEMENT 4	Oscillator	29	001D	41	03	00
	Amplitude	30	001E	41	03	20
	Pitch	30	001E	42	03	00
	Filter	50	0032	43	03	00
	EQ	8	0008	44	03	00
	LFO1	8	0008	44	03	40
	LFO2	4	0004	44	03	50
	Bulk Footer	0	00	0F	mm	nn
VOICE (DRUM)	Bulk Header	0	00	0E	mm	nn
COMMON	Extra	82	0052	46	70	00
	Common1	8	0008	46	00	00
	Common2	4	0004	46	00	40
	Reverb	36	0024	46	01	00
	Chorus	37	0025	46	02	00
	Insertion A	34	0022	46	03	00
	Insertion B	34	0022	46	04	00
	Controller	30	001E	46	05	00
KEY C 0	Oscillator	19	0013	47	00	00
	Amplitude	12	000C	47	00	20
	Pitch	3	0003	48	00	00
	Filter	8	0008	49	00	00
	EQ	8	0008	4A	00	00
	:	73 Blocks	:	:	:	:
KEY C 6	Oscillator	19	0013	47	48	00
	Amplitude	12	000C	47	48	20
	Pitch	3	0003	48	48	00
	Filter	8	0008	49	48	00
	EQ	8	0008	4A	48	00
	Bulk Footer	0	00	0F	mm	nn
VOICE (PLUG-IN)	Bulk Header	0	00	0E	mm	nn
COMMON	Extra	82	0052	4C	70	00
	Common	13	000D	4C	00	00
	Reverb	36	0024	4C	01	00
	Chorus	37	0025	4C	02	00
	Insertion A	34	0022	4C	03	00
	Insertion B	34	0022	4C	04	00
	Controller	10	000A	4C	05	00
	Plug-in XG Part	35	0023	4C	10	00
	Native	68	0044	4C	20	00
	Bulk Footer	0	00	0F	mm	nn
MULTI	Bulk Header	0	00	0E	mm	nn
COMMON	Common	101	0065	36	00	00
	Reverb	36	0024	36	01	00
	Chorus	37	0025	36	02	00
	Insertion A (for Analog Part)	34	0022	36	03	00
	Insertion B (for Analog Part)	34	0022	36	04	00
	Master EQ	20	0014	36	10	00
	Master Effect	35	0023	36	11	00
	Native (for InsEF Plug-in)	68	0044	36	20	00
PART	Part1	58	003A	37	00	00
	:	16 Blocks	:	:	:	:
	Part16	58	003A	37	0F	00
PLUG-IN PART	Plug-in 1 Part	58	003A	37	60	00
	:	3 Blocks	:	:	:	:
	Plug-in 3 Part	58	003A	37	44	00
AUDIO INPUT PART	Audio Input Part 1	8	0008	38	40	00
	:	5 Blocks	:	:	:	:
	Audio Input Part 5	8	0008	38	44	00
	Bulk Footer	0	00	0F	mm	nn

ТАБЛИЦА ОБМЕНА ПАРАМЕТРОВ MIDI (смена режима)

Адрес			Размер	Диапазон значений данных (16-ричн.)	Наименование параметра	Описание	Примечания
0A	00	00	1	00 – 7F	MASTER NUMBER SELECT	0 – 127	
		01	1	00 – 04	MODE CHANGE	0: Voice, 1: Performance, 2: Reserved, 3: Multi, 4: Master	

ТАБЛИЦА ОБМЕНА ПАРАМЕТРОВ MIDI (Управление микшированием голосов)

Адрес			Размер	Диапазон значений данных (16-ричн.)	Наименование параметра	Описание	Примечания
0A	01	00	1	00 – 0F	EDIT PART SELECT	Part 1 – 16	Receive Only

ТАБЛИЦА ОБМЕНА ПАРАМЕТРОВ MIDI (Управление пересылкой массивов данных)

Адрес			Размер	Диапазон значений данных (16-ричн.)	Наименование параметра	Описание	Примечания
0E	00	nn	1	–	Bulk Header	Normal Voice PRE1 (nn = 0 – 127)	
	01	nn	1	–		Normal Voice PRE2 (nn = 0 – 127)	
	02	nn	1	–		Normal Voice PRE3 (nn = 0 – 127)	
	03	nn	1	–		Normal Voice PRE4 (nn = 0 – 127)	
	06	nn	1	–		Normal Voice GM (nn = 0)	
	08	nn	1	–		Normal Voice USER1 (nn = 0 – 127)	
	09	nn	1	–		Normal Voice USER2 (nn = 0 – 127)	
	0F	nn	1	–		Normal Voice Edit Buffer (nn = 0)	
	18	nn	1	–		Plug-in Voice PLG1 (nn = 0 – 63)	
	19	nn	1	–		Plug-in Voice PLG2 (nn = 0 – 63)	
	1A	nn	1	–		Plug-in Voice PLG3 (nn = 0 – 63)	
	1F	nn	1	–		Plug-in Voice Edit Buffer (nn = 0)	
	20	nn	1	–		Drum Voice PRE (nn = 0 – 63)	
	21	nn	1	–		Drum Voice GM (nn = 0)	
	28	nn	1	–		Drum Voice USER (nn = 0 – 31)	
	2F	nn	1	–		Drum Voice Edit Buffer (nn = 0)	
	40	nn	1	–		Performance INT (nn = 0 – 127)	
	41	nn	1	–		Multi User (nn = 0 – 63)	
	4F	nn	1	–		Performance Edit Buffer (nn = 0)	
	5F	nn	1	–		Multi Edit Buffer (nn = 0)	
	70	nn	1	–		Master INT (nn = 0 – 127)	
	7F	nn	1	–		Master Edit Buffer (nn = 0)	
0F	00	nn	1	–	Bulk Footer	Normal Voice PRE1 (nn = 0 – 127)	
	01	nn	1	–		Normal Voice PRE2 (nn = 0 – 127)	
	02	nn	1	–		Normal Voice PRE3 (nn = 0 – 127)	
	03	nn	1	–		Normal Voice PRE4 (nn = 0 – 127)	
	06	nn	1	–		Normal Voice GM (nn = 0)	
	08	nn	1	–		Normal Voice USER1 (nn = 0 – 127)	
	09	nn	1	–		Normal Voice USER2 (nn = 0 – 127)	
	0F	nn	1	–		Normal Voice Edit Buffer (nn = 0)	
	18	nn	1	–		Plug-in Voice PLG1 (nn = 0 – 63)	
	19	nn	1	–		Plug-in Voice PLG2 (nn = 0 – 63)	
	1A	nn	1	–		Plug-in Voice PLG3 (nn = 0 – 63)	
	1F	nn	1	–		Plug-in Voice Edit Buffer (nn = 0)	
	20	nn	1	–		Drum Voice PRE (nn = 0 – 63)	
	21	nn	1	–		Drum Voice GM (nn = 0)	
	28	nn	1	–		Drum Voice USER (nn = 0 – 31)	
	2F	nn	1	–		Drum Voice Edit Buffer (nn = 0)	
	40	nn	1	–		Performance INT (nn = 0 – 127)	
	41	nn	1	–		Multi User (nn = 0 – 63)	
	4F	nn	1	–		Performance Edit Buffer (nn = 0)	
	5F	nn	1	–		Multi Edit Buffer (nn = 0)	
	70	nn	1	–		Master INT (nn = 0 – 127)	
	7F	nn	1	–		Master Edit Buffer (nn = 0)	

ТАБЛИЦА ОБМЕНА ПАРАМЕТРОВ MIDI (СИСТЕМА)

Адрес			Размер	Диапазон значений данных (16-ричн.)	Наименование параметра	Описание	Примечания
00	00	00	1	00 – 7F	Master Volume	0 – 127	MIDI Master Volume
		01	1	28 – 5B	Master Note Shift	-24 – +24 [semitones]	
		02	4	00 – 0F 00 – 0F 00 – 0F 00 – 0F	Master Tune	-102.4 – +102.3 [cent] 1st bit3-0 → bit15-12 2nd bit3-0 → bit11-8 3rd bit3-0 → bit7-4 4th bit3-0 → bit3-0	MIDI Master Tuning
		06	1	00 – 01	Controller Reset	hold, reset	
		07	1	35 – 4B	Master Transpose	-11 – +11 [semitones]	
		08	1	3D – 43	Master Octave Shift	-3 – +3	
		09	1	00 – 01	Local Switch	off, on	
		0A	1	00 – 10, 7F	Basic Receive Channel	1 – 16, omni, off	
		0B	1	00 – 0F, 7F	Keyboard Transmit Channel	1 – 16, off	
		0C	1		reserved		
		0D	1		reserved		
		0E	1	00 – 01	Stereo L&R Output Gain	00: 0dB, 01: +6dB	
		0F	1	00 – 01	Assignable Output L&R Gain	00: 0dB, 01: +6dB	
		10	1	00 – 7F	Individual Output Gain	bit0: 0, +6dB 1&2 bit1: 0, +6dB 3&4, ..., bit6: 0, +6dB 13&14	
		11	1	00 – 03	BC Curve (for TG)	thru, soft, hard, wide	
		12	1	00 – 04	Keyboard Velocity Curve	norm, soft, hard, wide, fixed	
		13	1	01 – 7F	Keyboard Fixed Velocity	1 – 127	
		14	1	00 – 01	Receive GM/XG On for Multi Part PB	off, on	
		15	1	00 – 01	Receive/Transmit Bank Select	off, on	
		16	1	00 – 01	Receive/Transmit Program Change	off, on	
		17	1	00 – 01	MIDI Control Mode	mode1, mode2	
		18	1	00 – 07	Thru Port for USB/mLAN	1 – 8	
		19	1	00 – 02	MIDI IN/OUT	MIDI, USB, mLAN	
		1A	1	00 – 03	Effect Bypass for System Effect	bit0: Reverb, bit1: Chorus	
		1B	1	00 – 01	Effect Bypass for Master Effect	off, on	
		1C	1	00 – 03	Effect Bypass for Insertion Effect	bit0: Internal, bit1: Plug-in Board	
		1D	1		reserved		
		1E	1	00 – 01	AutoLoad Switch	off, on	
		1F	1	00 – 06	Power on Mode	Performance, Voice (INT), Voice (PRE1), GM, last, Master, Multi	
		20	1		reserved		
		21	1	00 – 02	Single Part Plug-in Board Port Assign for Multi Mode	1, 2, 3	Port 1 in any other mode
		22	1	00 – 02	Multi Part Plug-in Board Port Assign for Multi Mode	1, 2, 3	Port 1 in any other mode
		23	1		reserved		
		24	1		reserved		
		25	1	00 – 01	Analog Input Gain	mic, line	
		26	1		reserved		
		27	1		reserved		
		28	1		reserved		
		29	1	00 – 01	mLAN Monitor Switch	off, on	
		2A	1	00 – 55	Assign A Destination	off, 1 – 85	
		2B	1	00 – 55	Assign B Destination	off, 1 – 85	
		2C	1		reserved		
		2D	1	00 – 5F	Assign A Control Number	off, 1 – 95	
		2E	1	00 – 5F	Assign B Control Number	off, 1 – 95	
		2F	1		reserved		
		30	1	00 – 5F	RB Control Number	off, 1 – 95	for Voice Mode
		31	1	00 – 65	FS Assign	off, 1 – 95, ArpSw, ArpHold, Play/Stop, PCInc, PCDec, OctaveReset	
		32	1	00 – 5F	ARP Switch Control Number	off, 1 – 95	
		33	1	00 – 5F	ARP Hold Control Number	off, 1 – 95	
		34	1	00 – 01	ARP MIDI Out Switch	off, on	for Voice Mode
		35	1	00 – 0F	ARP MIDI Out Channel	1 – 16	:
		36	1	00 – 5F	Assign1 Control Number	off, 1 – 95	:
		37	1	00 – 5F	Assign2 Control Number	off, 1 – 95	:
		38	1	00 – 5F	BC Control Number	off, 1 – 95	:
		39	1	00 – 5F	FC2 Control Number	off, 1 – 95	:
		3A	1	00 – 5F	FC1 Control Number	off, 1 – 95	:
		3B	1	00 – 02	Sustain Pedal Select	FC3 (Half on), FC3 (Half off), FC4/5	

TOTAL SIZE = 60 3C (HEX)

Адрес	Размер	Диапазон значений данных (16-рич.)	Наименование параметра	Описание	Примечания		
00	10	00	16	00 – 7F	Plug-in 1 Native System Parameter	Depends on Plug-in Board	
			10	16	00 – 7F	Plug-in 2 Native System Parameter	Depends on Plug-in Board
			20	16	00 – 7F	Plug-in 3 Native System Parameter	Depends on Plug-in Board

TOTAL SIZE = 48 30 (HEX)

00	20	00	1	34 – 4C	EQ Gain 1	-12 – +12[dB]	for Voice Mode
			01	1	04 – 28	EQ Frequency 1	32 – 2000[Hz]
			02	1	01 – 78	EQ Q 1	0.1 – 12.0
			03	1	00 – 01	EQ Shape 1	shelv, peak
			04	1	34 – 4C	EQ Gain 2	-12 – +12[dB]
			05	1	0E – 36	EQ Frequency 2	100 – 10.0[kHz]
			06	1	01 – 78	EQ Q 2	0.1 – 12.0
				1		reserved	
			08	1	34 – 4C	EQ Gain 3	-12 – +12[dB]
			09	1	0E – 36	EQ Frequency 3	100 – 10.0[kHz]
			0A	1	01 – 78	EQ Q 3	0.1 – 12.0
				1		reserved	
			0C	1	34 – 4C	EQ Gain 4	-12 – +12[dB]
			0D	1	0E – 36	EQ Frequency 4	100 – 10.0[kHz]
			0E	1	01 – 78	EQ Q 4	0.1 – 12.0
				1		reserved	
			10	1	34 – 4C	EQ Gain 5	-12 – +12[dB]
			11	1	1C – 3A	EQ Frequency 5	0.5 – 16.0[kHz]
			12	1	01 – 78	EQ Q 5	0.1 – 12.0
			13	1	00 – 01	EQ Shape 5	shelv, peak

TOTAL SIZE = 20 14 (HEX)

00	21	00	2	00 – 7F 00 – 7F	Master Effect Type MSB Master Effect Type LSB	Refer to "Effect Parameter List."	for Voice Mode
			02	2	00 – 7F 00 – 7F	Master Effect Parameter 1 MSB Master Effect Parameter 1 LSB	
			04	2	00 – 7F 00 – 7F	Master Effect Parameter 2 MSB Master Effect Parameter 2 LSB	
			06	2	00 – 7F 00 – 7F	Master Effect Parameter 3 MSB Master Effect Parameter 3 LSB	
			08	2	00 – 7F 00 – 7F	Master Effect Parameter 4 MSB Master Effect Parameter 4 LSB	
			0A	2	00 – 7F 00 – 7F	Master Effect Parameter 5 MSB Master Effect Parameter 5 LSB	
			0C	2	00 – 7F 00 – 7F	Master Effect Parameter 6 MSB Master Effect Parameter 6 LSB	
			0E	2	00 – 7F 00 – 7F	Master Effect Parameter 7 MSB Master Effect Parameter 7 LSB	
			10	2	00 – 7F 00 – 7F	Master Effect Parameter 8 MSB Master Effect Parameter 8 LSB	
			12	2	00 – 7F 00 – 7F	Master Effect Parameter 9 MSB Master Effect Parameter 9 LSB	
			14	2	00 – 7F 00 – 7F	Master Effect Parameter 10 MSB Master Effect Parameter 10 LSB	
			16	2	00 – 7F 00 – 7F	Master Effect Parameter 11 MSB Master Effect Parameter 11 LSB	
			18	2	00 – 7F 00 – 7F	Master Effect Parameter 12 MSB Master Effect Parameter 12 LSB	
			1A	2	00 – 7F 00 – 7F	Master Effect Parameter 13 MSB Master Effect Parameter 13 LSB	
			1C	2	00 – 7F 00 – 7F	Master Effect Parameter 14 MSB Master Effect Parameter 14 LSB	
			1E	2	00 – 7F 00 – 7F	Master Effect Parameter 15 MSB Master Effect Parameter 15 LSB	
			20	2	00 – 7F 00 – 7F	Master Effect Parameter 16 MSB Master Effect Parameter 16 LSB	
			22	1	00 – 01	Master Effect ON/OFF	0:OFF, 1:ON

TOTAL SIZE = 35 23 (HEX)

00	22	00	1	00 – 0F	Master Effect Type1 Slider 1 Dest	parameter 1 – 16	
			01	1	00 – 0F	Master Effect Type1 Slider 2 Dest	
			02	1	00 – 0F	Master Effect Type1 Slider 3 Dest	
			03	1	00 – 0F	Master Effect Type1 Slider 4 Dest	
			04	1	00 – 0F	Master Effect Type2 Slider 1 Dest	
			05	1	00 – 0F	Master Effect Type2 Slider 2 Dest	
			06	1	00 – 0F	Master Effect Type2 Slider 3 Dest	
			07	1	00 – 0F	Master Effect Type2 Slider 4 Dest	
			08	1	00 – 0F	Master Effect Type3 Slider 1 Dest	
			09	1	00 – 0F	Master Effect Type3 Slider 2 Dest	
			0A	1	00 – 0F	Master Effect Type3 Slider 3 Dest	
			0B	1	00 – 0F	Master Effect Type3 Slider 4 Dest	
			0C	1	00 – 0F	Master Effect Type4 Slider 1 Dest	
			0D	1	00 – 0F	Master Effect Type4 Slider 2 Dest	
			0E	1	00 – 0F	Master Effect Type4 Slider 3 Dest	
			0F	1	00 – 0F	Master Effect Type4 Slider 4 Dest	
			10	1	00 – 0F	Master Effect Type5 Slider 1 Dest	
			11	1	00 – 0F	Master Effect Type5 Slider 2 Dest	

			12	1	00 – 0F	Master Effect Type5 Slider 3 Dest	
			13	1	00 – 0F	Master Effect Type5 Slider 4 Dest	
			14	1	00 – 0F	Master Effect Type6 Slider 1 Dest	
			15	1	00 – 0F	Master Effect Type6 Slider 2 Dest	
			16	1	00 – 0F	Master Effect Type6 Slider 3 Dest	
			17	1	00 – 0F	Master Effect Type6 Slider 4 Dest	
			18	1	00 – 0F	Master Effect Type7 Slider 1 Dest	
			19	1	00 – 0F	Master Effect Type7 Slider 2 Dest	
			1A	1	00 – 0F	Master Effect Type7 Slider 3 Dest	
			1B	1	00 – 0F	Master Effect Type7 Slider 4 Dest	
			1C	1	00 – 0F	Master Effect Type8 Slider 1 Dest	
			1D	1	00 – 0F	Master Effect Type8 Slider 2 Dest	
			1E	1	00 – 0F	Master Effect Type8 Slider 3 Dest	
			1F	1	00 – 0F	Master Effect Type8 Slider 4 Dest	

TOTAL SIZE = 32 20 (HEX)

ТАБЛИЦА ОБМЕНА ПАРАМЕТРОВ MIDI (MASTER)

Адрес	Размер	Диапазон значений данных (16-рич.)	Наименование параметра	Описание	Примечания	
33	00	00	1	20 – 7E	Master Name 1	32 – 126 (ASCII)
33	00	01	1	20 – 7E	Master Name 2	32 – 126 (ASCII)
33	00	02	1	20 – 7E	Master Name 3	32 – 126 (ASCII)
33	00	03	1	20 – 7E	Master Name 4	32 – 126 (ASCII)
33	00	04	1	20 – 7E	Master Name 5	32 – 126 (ASCII)
33	00	05	1	20 – 7E	Master Name 6	32 – 126 (ASCII)
33	00	06	1	20 – 7E	Master Name 7	32 – 126 (ASCII)
33	00	07	1	20 – 7E	Master Name 8	32 – 126 (ASCII)
33	00	08	1	20 – 7E	Master Name 9	32 – 126 (ASCII)
33	00	09	1	20 – 7E	Master Name 10	32 – 126 (ASCII)
33	00	0A	1		reserved	
33	00	0B	1		reserved	
33	00	0C	1		reserved	
33	00	0D	1	00 – 03	Mode Change	0=Voice, 1=Performance, 2=Reserved, 3=Multi
33	00	0E	1	00 – 7F	Bank MSB for Voice/Perf Mode	0 – 127
33	00	0F	1	00 – 7F	Bank LSB for Voice/Perf Mode	0 – 127
33	00	10	1	00 – 7F	Program Number	1 – 128
33	00	11	1	00 – 01	Zone on/off	off, on
33	00	12	1	00 – 07	Slider Function Select	0=Pan&Send, 1=Tone, 2=Assign, 3=MeqOffset/PartEQ, 4=MasterEffect, 5=ARP FX, 6=Zone, 7=Volume

TOTAL SIZE = 19 13 (HEX)

Адрес	Размер	Диапазон значений данных (16-рич.)	Наименование параметра	Описание	Примечания	
32	nn	00	1	00 – 3F	Transmit Channel, MIDI/TG Switch	bit0-3: Ch1 – 16 bit4: MIDI off, on bit5: TG off, on
32	nn	01	1	3D – 43	Transpose (Octave)	-3 – +3
32	nn	02	1	35 – 4B	Transpose (Semitone)	-11 – +11 (semitones)
32	nn	03	1	00 – 7F	Note Limit Low	C-2 – G8
32	nn	04	1	00 – 7F	Note Limit High	C-2 – G8
32	nn	05	1	00 – 07	Transmit Bank Select for TG Transmit Program Change for TG	bit0: off, on Bank Select bit1: off, on Program Change
32	nn	06	1		reserved	
32	nn	07	1	00 – 7F	MIDI Volume	0 – 127
32	nn	08	1	00 – 7F	MIDI Pan	0 – 127
32	nn	09	1	00 – 7F	MIDI Bank MSB	0 – 127
32	nn	0A	1	00 – 7F	MIDI Bank LSB	0 – 127
32	nn	0B	1	00 – 7F	MIDI Program Number	1 – 128
32	nn	0C	1	00 – 7F	Transmit Volume/Expression Transmit Pan Transmit Sustain Transmit Bank Select for MIDI Transmit Program Change for MIDI Transmit AT Transmit PB	bit0: off, on Volume/Expression bit1: off, on Pan bit2: off, on Sustain bit3: off, on Bank Select bit4: off, on Program Change bit5: off, on AT bit6: off, on PB
32	nn	0D	1	00 – 7F	Transmit FC2 Transmit FS Transmit FC1 Transmit BC Transmit MW Transmit Assignable Slider	bit0: off, on FC2 bit1: off, on FS bit2: off, on FC1 bit3: off, on BC bit4: off, on MW bit5: off, on Assignable Slider
32	nn	0E	1	00 – 5F	Control Slider Control Number	off, 1 – 95
32	nn	0F	1		reserved	

TOTAL SIZE = 16 10 (HEX)

nn=номер зоны 00-03

ТАБЛИЦА ОБМЕНА ПАРАМЕТРОВ MIDI (ОБЩЕЕ ИСПОЛНЕНИЕ)

Адрес	Размер	Диапазон значений данных (16-ричн.)	Наименование параметра	Описание	Примечания
30 00 00 1	1	20 – 7E	Performance Name 1	32 – 126 (ASCII)	
01 1	1	20 – 7E	Performance Name 2	32 – 126 (ASCII)	
02 1	1	20 – 7E	Performance Name 3	32 – 126 (ASCII)	
03 1	1	20 – 7E	Performance Name 4	32 – 126 (ASCII)	
04 1	1	20 – 7E	Performance Name 5	32 – 126 (ASCII)	
05 1	1	20 – 7E	Performance Name 6	32 – 126 (ASCII)	
06 1	1	20 – 7E	Performance Name 7	32 – 126 (ASCII)	
07 1	1	20 – 7E	Performance Name 8	32 – 126 (ASCII)	
08 1	1	20 – 7E	Performance Name 9	32 – 126 (ASCII)	
09 1	1	20 – 7E	Performance Name 10	32 – 126 (ASCII)	
0A 1	1		reserved		
0B 1	1		reserved		
0C 1	1	00 – 10	Performance Category (Main)	0 – 16 (-- Co)	Ap, Kb, Or, Gt, Ba, St, Br, Rp, Ld, Pd, Sc, Cp, Dr, Se, Me, Co
0D 1	1	00 – 03	Performance Category (Sub)	0 – 3 (-- Sub1 – Sub3)	Depends on Main Category.
0E 1	1		reserved		
0F 1	1		reserved		
10 1	1		reserved		
11 1	1	00 – 01	ARP MIDI Out Switch	off, on	
12 1	1	00 – 10	ARP MIDI Out Channel	1 – 16, kbd-ch	
30 00 13 1	1		reserved		
14 2	2	0000 – 20FF	ARP Type MSB ARP Type LSB	0 – 1786: Preset, 8192 – 8447: User	
16 1	1	00 – 01	ARP Switch	off, on	
17 1	1	00 – 02	ARP Hold	sync-off, off, on	
18 1	1	00 – 06	ARP Unit Multiply	50%, 66%, 75%, 100%, 133%, 150%, 200%	
19 1	1	00 – 7F	ARP Note Limit Low	C-2 – G8	
1A 1	1	00 – 7F	ARP Note Limit High	C-2 – G8	
1B 1	1	01 – 7F	ARP Velocity Limit Low	1 – 127	
1C 1	1	01 – 7F	ARP Velocity Limit High	1 – 127	
1D 1	1	00 – 04	ARP Key Mode	sort, thru, direct, sort+direct, thru+direct	
1E 1	1	00 – 01	ARP Vel Mode	original, thru	
1F 1	1	00 – 01	ARP Change Timing	realtime, measure	
20 1	1	00 – 06	ARP Quantize Value	32nd, 16th Triplet, 16th, 8th Triplet, 8th, 4th Triplet, 4th	
21 1	1	00 – 64	ARP Quantize Strength	0 – 100%	
22 2	2	0000 – 00C8	ARP Velocity Rate MSB ARP Velocity Rate LSB	0 – 200%	
24 2	2	0000 – 00C8	ARP Gate Time Rate MSB ARP Gate Time Rate LSB	0 – 200%	
26 2	2	0008 – 00F8	ARP Swing MSB ARP Swing LSB	-120 – 0 – +120	
28 2	2	0001 – 012C	ARP Tempo MSB ARP Tempo LSB	1 – 300	
2A 2	2	0000 – 3FFF	ARP SF1 Assign Type MSB ARP SF1 Assign Type LSB	0 – 1786: Preset, 8192 – 8447: User, 16383: No Type	
2C 2	2	0000 – 3FFF	ARP SF2 Assign Type MSB ARP SF2 Assign Type LSB	0 – 1786: Preset, 8192 – 8447: User, 16383: No Type	
2E 2	2	0000 – 3FFF	ARP SF3 Assign Type MSB ARP SF3 Assign Type LSB	0 – 1786: Preset, 8192 – 8447: User, 16383: No Type	
30 2	2	0000 – 3FFF	ARP SF4 Assign Type MSB ARP SF4 Assign Type LSB	0 – 1786: Preset, 8192 – 8447: User, 16383: No Type	
32 2	2	0000 – 3FFF	ARP SF5 Assign Type MSB ARP SF5 Assign Type LSB	0 – 1786: Preset, 8192 – 8447: User, 16383: No Type	
30 00 34 1	1	00 – 06	CS Function Select	0=Pan&Send, 1= Tone, 2=Assign, 3=MeqOffset, 4=MasterEffect, 5=ARP FX, 6=Vol	
35 1	1	01 – 7F	Pan	L63 – C – R63	
36 1	1		reserved		
37 1	1	00 – 7F	QED Decay Time	-64 – +63	
38 1	1	00 – 7F	QED Sustain Level	-64 – +63	
39 1	1	00 – 7F	QED FEG Attack Time	-64 – +63	
3A 1	1	00 – 7F	QED FEG Decay Time	-64 – +63	
3B 1	1	00 – 7F	QED FEG Release Time	-64 – +63	
3C 1	1		reserved		
3D 1	1	00 – 7F	QED FEG Depth	-64 – +63	
3E 1	1	00 – 7F	AssignA	-64 – +63	
3F 1	1	00 – 7F	AssignB	-64 – +63	
40 1	1		reserved		
41 1	1	00 – 7F	EQ Low Gain	-64 – +63	
42 1	1	00 – 7F	EQ Low Mid Gain	-64 – +63	
43 1	1	00 – 7F	EQ High Mid Gain	-64 – +63	
44 1	1	00 – 7F	EQ High Gain	-64 – +63	
45 1	1	00 – 7F	Assign1	-64 – +63	
46 1	1	00 – 7F	Assign2	-64 – +63	

Адрес	Размер	Диапазон значений данных (16-ричн.)	Наименование параметра	Описание	Примечания
47 1	1	00 – 7F	Cutoff Frequency	-64 – +63	
48 1	1	00 – 7F	Resonance	-64 – +63	
49 1	1	00 – 7F	Attack Time	-64 – +63	
4A 1	1	00 – 7F	Release Time	-64 – +63	
4B 1	1		reserved		
4C 1	1		reserved		
4D 1	1		reserved		
4E 1	1		reserved		
4F 1	1		reserved		
50 1	1		reserved		
51 1	1		reserved		
30 00 52 1	1	00 – 7F	Volume	0 – 127	
53 1	1	00 – 7F	QED Portamento Time	-64 – +63	
54 1	1	00 – 01	QED Portamento Switch	off, on	
55 1	1	00 – 7F	Reverb Send	0 – 127	
56 1	1	00 – 7F	Chorus Send	0 – 127	
57 1	1		reserved		
58 1	1	00 – 5F	Assign1 Control Number	off, 1 – 95	
59 1	1	00 – 5F	Assign2 Control Number	off, 1 – 95	
5A 1	1	00 – 5F	BC Control Number	off, 1 – 95	
5B 1	1	00 – 5F	FC2 Control Number	off, 1 – 95	
5C 1	1	00 – 5F	FC1 Control Number	off, 1 – 95	
5D 1	1		reserved		
5E 1	1	00 – 5F	RB Control Number	off, 1 – 95	
5F 1	1	01 – 02	Analog Insertion Connect Type	A → B, B → A	
60 4	4	00	Insertion Part Sw	reserved	bit0: reserved bit1: reserved bit2: off, on PBPart1 bit3: off, on PBPart2 bit4: off, on PBPart3 bit5: off, on AnalogPart bit6: reserved
		00		reserved	
		00 – 0F		reserved	bit0: off, on Part1 bit1: off, on Part2 bit2: off, on Part3 bit3: off, on Part4 bit4: reserved bit5: reserved bit6: reserved
64 1	1	00 – 7F	InsEF Plug-in Part	0 – 3: Part1 – 4 64: PartAD 97 – 98: PB Part2, 3 127: off	

TOTAL SIZE = 101 65 (HEX)

30 01 00 2	2	00 – 7F 00 – 7F	Reverb Type MSB Reverb Type LSB	Refer to "Effect Parameter List."	
02 2	2	00 – 7F 00 – 7F	Reverb Parameter 1 MSB Reverb Parameter 1 LSB	:	
04 2	2	00 – 7F 00 – 7F	Reverb Parameter 2 MSB Reverb Parameter 2 LSB	:	
06 2	2	00 – 7F 00 – 7F	Reverb Parameter 3 MSB Reverb Parameter 3 LSB	:	
08 2	2	00 – 7F 00 – 7F	Reverb Parameter 4 MSB Reverb Parameter 4 LSB	:	
0A 2	2	00 – 7F 00 – 7F	Reverb Parameter 5 MSB Reverb Parameter 5 LSB	:	
0C 2	2	00 – 7F 00 – 7F	Reverb Parameter 6 MSB Reverb Parameter 6 LSB	:	
0E 2	2	00 – 7F 00 – 7F	Reverb Parameter 7 MSB Reverb Parameter 7 LSB	:	
10 2	2	00 – 7F 00 – 7F	Reverb Parameter 8 MSB Reverb Parameter 8 LSB	:	
12 2	2	00 – 7F 00 – 7F	Reverb Parameter 9 MSB Reverb Parameter 9 LSB	:	
14 2	2	00 – 7F 00 – 7F	Reverb Parameter 10 MSB Reverb Parameter 10 LSB	:	
16 2	2	00 – 7F 00 – 7F	Reverb Parameter 11 MSB Reverb Parameter 11 LSB	:	
18 2	2	00 – 7F 00 – 7F	Reverb Parameter 12 MSB Reverb Parameter 12 LSB	:	
1A 2	2	00 – 7F 00 – 7F	Reverb Parameter 13 MSB Reverb Parameter 13 LSB	:	
1C 2	2	00 – 7F 00 – 7F	Reverb Parameter 14 MSB Reverb Parameter 14 LSB	:	
1E 2	2	00 – 7F 00 – 7F	Reverb Parameter 15 MSB Reverb Parameter 15 LSB	:	
20 2	2	00 – 7F 00 – 7F	Reverb Parameter 16 MSB Reverb Parameter 16 LSB	:	
30 01 22 1	1	00 – 7F	Reverb Return	∞dB – 0dB – +6dB (0 – 96 – 127)	
30 01 23 1	1	01 – 7F	Reverb Pan	L63 – C – R63	

TOTAL SIZE = 36 24 (HEX)

Адрес	Размер	Диапазон значений (16-ричн.)	Наименование параметра	Описание	Примечания
30 02 00	2	00 – 7F 00 – 7F	Chorus Type MSB Chorus Type LSB	Refer to "Effect Parameter List."	
	02	2	00 – 7F 00 – 7F	Chorus Parameter 1 MSB Chorus Parameter 1 LSB	:
	04	2	00 – 7F 00 – 7F	Chorus Parameter 2 MSB Chorus Parameter 2 LSB	:
	06	2	00 – 7F 00 – 7F	Chorus Parameter 3 MSB Chorus Parameter 3 LSB	:
	08	2	00 – 7F 00 – 7F	Chorus Parameter 4 MSB Chorus Parameter 4 LSB	:
	0A	2	00 – 7F 00 – 7F	Chorus Parameter 5 MSB Chorus Parameter 5 LSB	:
	0C	2	00 – 7F 00 – 7F	Chorus Parameter 6 MSB Chorus Parameter 6 LSB	:
	0E	2	00 – 7F 00 – 7F	Chorus Parameter 7 MSB Chorus Parameter 7 LSB	:
	10	2	00 – 7F 00 – 7F	Chorus Parameter 8 MSB Chorus Parameter 8 LSB	:
	12	2	00 – 7F 00 – 7F	Chorus Parameter 9 MSB Chorus Parameter 9 LSB	:
	14	2	00 – 7F 00 – 7F	Chorus Parameter 10 MSB Chorus Parameter 10 LSB	:
	16	2	00 – 7F 00 – 7F	Chorus Parameter 11 MSB Chorus Parameter 11 LSB	:
	18	2	00 – 7F 00 – 7F	Chorus Parameter 12 MSB Chorus Parameter 12 LSB	:
	1A	2	00 – 7F 00 – 7F	Chorus Parameter 13 MSB Chorus Parameter 13 LSB	:
	1C	2	00 – 7F 00 – 7F	Chorus Parameter 14 MSB Chorus Parameter 14 LSB	:
	1E	2	00 – 7F 00 – 7F	Chorus Parameter 15 MSB Chorus Parameter 15 LSB	:
	20	2	00 – 7F 00 – 7F	Chorus Parameter 16 MSB Chorus Parameter 16 LSB	:
	22	1	00 – 7F	Chorus Return	∞dB – 0dB – +6dB (0 – 96 – 127)
	23	1	01 – 7F	Chorus Pan	L63 – C – R63
	24	1	00 – 7F	Send Chorus To Reverb	∞dB – 0dB (0 – 127)

TOTAL SIZE = 37 25 (HEX)

30 03 00	2	00 – 7F 00 – 7F	Insertion-A Type MSB Insertion-A Type LSB	Refer to "Effect Parameter List."	for Analog Part
	02	2	00 – 7F 00 – 7F	Insertion-A Parameter 1 MSB Insertion-A Parameter 1 LSB	:
	04	2	00 – 7F 00 – 7F	Insertion-A Parameter 2 MSB Insertion-A Parameter 2 LSB	:
	06	2	00 – 7F 00 – 7F	Insertion-A Parameter 3 MSB Insertion-A Parameter 3 LSB	:
	08	2	00 – 7F 00 – 7F	Insertion-A Parameter 4 MSB Insertion-A Parameter 4 LSB	:
	0A	2	00 – 7F 00 – 7F	Insertion-A Parameter 5 MSB Insertion-A Parameter 5 LSB	:
	0C	2	00 – 7F 00 – 7F	Insertion-A Parameter 6 MSB Insertion-A Parameter 6 LSB	:
	0E	2	00 – 7F 00 – 7F	Insertion-A Parameter 7 MSB Insertion-A Parameter 7 LSB	:
	10	2	00 – 7F 00 – 7F	Insertion-A Parameter 8 MSB Insertion-A Parameter 8 LSB	:
	12	2	00 – 7F 00 – 7F	Insertion-A Parameter 9 MSB Insertion-A Parameter 9 LSB	:
	14	2	00 – 7F 00 – 7F	Insertion-A Parameter 10 MSB Insertion-A Parameter 10 LSB	:
	16	2	00 – 7F 00 – 7F	Insertion-A Parameter 11 MSB Insertion-A Parameter 11 LSB	:
	18	2	00 – 7F 00 – 7F	Insertion-A Parameter 12 MSB Insertion-A Parameter 12 LSB	:
	1A	2	00 – 7F 00 – 7F	Insertion-A Parameter 13 MSB Insertion-A Parameter 13 LSB	:
	1C	2	00 – 7F 00 – 7F	Insertion-A Parameter 14 MSB Insertion-A Parameter 14 LSB	:
	1E	2	00 – 7F 00 – 7F	Insertion-A Parameter 15 MSB Insertion-A Parameter 15 LSB	:
	20	2	00 – 7F 00 – 7F	Insertion-A Parameter 16 MSB Insertion-A Parameter 16 LSB	:

TOTAL SIZE = 34 22 (HEX)

30 04 00	2	00 – 7F 00 – 7F	Insertion-B Type MSB Insertion-B Type LSB	Refer to "Effect Parameter List."	for Analog Part
	02	2	00 – 7F 00 – 7F	Insertion-B Parameter 1 MSB Insertion-B Parameter 1 LSB	:
	04	2	00 – 7F 00 – 7F	Insertion-B Parameter 2 MSB Insertion-B Parameter 2 LSB	:
	06	2	00 – 7F 00 – 7F	Insertion-B Parameter 3 MSB Insertion-B Parameter 3 LSB	:
	08	2	00 – 7F 00 – 7F	Insertion-B Parameter 4 MSB Insertion-B Parameter 4 LSB	:
	0A	2	00 – 7F 00 – 7F	Insertion-B Parameter 5 MSB Insertion-B Parameter 5 LSB	:
	0C	2	00 – 7F 00 – 7F	Insertion-B Parameter 6 MSB Insertion-B Parameter 6 LSB	:

	0E	2	00 – 7F 00 – 7F	Insertion-B Parameter 7 MSB Insertion-B Parameter 7 LSB	:
	10	2	00 – 7F 00 – 7F	Insertion-B Parameter 8 MSB Insertion-B Parameter 8 LSB	:
	12	2	00 – 7F 00 – 7F	Insertion-B Parameter 9 MSB Insertion-B Parameter 9 LSB	:
	14	2	00 – 7F 00 – 7F	Insertion-B Parameter 10 MSB Insertion-B Parameter 10 LSB	:
	16	2	00 – 7F 00 – 7F	Insertion-B Parameter 11 MSB Insertion-B Parameter 11 LSB	:
	18	2	00 – 7F 00 – 7F	Insertion-B Parameter 12 MSB Insertion-B Parameter 12 LSB	:
	1A	2	00 – 7F 00 – 7F	Insertion-B Parameter 13 MSB Insertion-B Parameter 13 LSB	:
	1C	2	00 – 7F 00 – 7F	Insertion-B Parameter 14 MSB Insertion-B Parameter 14 LSB	:
	1E	2	00 – 7F 00 – 7F	Insertion-B Parameter 15 MSB Insertion-B Parameter 15 LSB	:
	20	2	00 – 7F 00 – 7F	Insertion-B Parameter 16 MSB Insertion-B Parameter 16 LSB	:

TOTAL SIZE = 34 22 (HEX)

30 10 00	1	34 – 4C	EQ Gain 1	-12 – +12 [dB]	
	01	1	04 – 28	EQ Frequency 1	32 – 2000 [Hz]
	02	1	01 – 78	EQ Q 1	0.1 – 12.0
	03	1	00 – 01	EQ Shape 1	shelv, peak
	04	1	34 – 4C	EQ Gain 2	-12 – +12 [dB]
	05	1	0E – 36	EQ Frequency 2	100 – 10.0 [kHz]
	06	1	01 – 78	EQ Q 2	0.1 – 12.0
		1		reserved	
	08	1	34 – 4C	EQ Gain 3	-12 – +12 [dB]
	09	1	0E – 36	EQ Frequency 3	100 – 10.0 [kHz]
	0A	1	01 – 78	EQ Q 3	0.1 – 12.0
		1		reserved	
	0C	1	34 – 4C	EQ Gain 4	-12 – +12 [dB]
	0D	1	0E – 36	EQ Frequency 4	100 – 10.0 [kHz]
	0E	1	01 – 78	EQ Q 4	0.1 – 12.0
		1		reserved	
	10	1	34 – 4C	EQ Gain 5	-12 – +12 [dB]
	11	1	1C – 3A	EQ Frequency 5	0.5 – 16.0 [kHz]
	12	1	01 – 78	EQ Q 5	0.1 – 12.0
	13	1	00 – 01	EQ Shape 5	shelv, peak

TOTAL SIZE = 20 14 (HEX)

30 11 00	2	00 – 7F 00 – 7F	Master Effect Type MSB Master Effect Type LSB	Refer to "Effect Parameter List."	
	02	2	00 – 7F 00 – 7F	Master Effect Parameter 1 MSB Master Effect Parameter 1 LSB	:
	04	2	00 – 7F 00 – 7F	Master Effect Parameter 2 MSB Master Effect Parameter 2 LSB	:
	06	2	00 – 7F 00 – 7F	Master Effect Parameter 3 MSB Master Effect Parameter 3 LSB	:
	08	2	00 – 7F 00 – 7F	Master Effect Parameter 4 MSB Master Effect Parameter 4 LSB	:
	0A	2	00 – 7F 00 – 7F	Master Effect Parameter 5 MSB Master Effect Parameter 5 LSB	:
	0C	2	00 – 7F 00 – 7F	Master Effect Parameter 6 MSB Master Effect Parameter 6 LSB	:
	0E	2	00 – 7F 00 – 7F	Master Effect Parameter 7 MSB Master Effect Parameter 7 LSB	:
	10	2	00 – 7F 00 – 7F	Master Effect Parameter 8 MSB Master Effect Parameter 8 LSB	:
	12	2	00 – 7F 00 – 7F	Master Effect Parameter 9 MSB Master Effect Parameter 9 LSB	:
	14	2	00 – 7F 00 – 7F	Master Effect Parameter 10 MSB Master Effect Parameter 10 LSB	:
	16	2	00 – 7F 00 – 7F	Master Effect Parameter 11 MSB Master Effect Parameter 11 LSB	:
	18	2	00 – 7F 00 – 7F	Master Effect Parameter 12 MSB Master Effect Parameter 12 LSB	:
	1A	2	00 – 7F 00 – 7F	Master Effect Parameter 13 MSB Master Effect Parameter 13 LSB	:
	1C	2	00 – 7F 00 – 7F	Master Effect Parameter 14 MSB Master Effect Parameter 14 LSB	:
	1E	2	00 – 7F 00 – 7F	Master Effect Parameter 15 MSB Master Effect Parameter 15 LSB	:
	20	2	00 – 7F 00 – 7F	Master Effect Parameter 16 MSB Master Effect Parameter 16 LSB	:
	22	1	00 – 01	Master Effect ON/OFF	0: OFF, 1: ON

TOTAL SIZE = 35 23 (HEX)

30 20 00	16	00 – 7F	Plug-in Board Native System Parameter	(for InsEF Plug-in)	
30 20 10	48	00 – 7F	Plug-in Board Native Parameter	(for InsEF Plug-in)	
30 20 40	3	00 – 7F 00 – 7F 00 – 7F	Plug-in Board Type MSB Plug-in Board Type LSB Plug-in Board Version Number	(for InsEF Plug-in)	
	43	1	00 – 7F	reserved	

TOTAL SIZE = 68 44 (HEX)

ТАБЛИЦА ОБМЕНА ПАРАМЕТРОВ MIDI (ОБЩЕЕ ИСПОЛНЕНИЕ)

Адрес	Размер	Диапазон значений данных (16-рич.)	Наименование параметра	Описание	Примечания		
31	pp	00	1	00 – 7F	Bank Select MSB	0 – 127	
		01	1	00 – 7F	Bank Select LSB	0 – 127	
		02	1	00 – 7F	Program Number	1 – 128	
		03	1		reserved		
		04	1	00 – 01	Part Mode	mono, poly	
		05	1	01 – 7F	Velocity Limit Low	1 – 127	
		06	1	01 – 7F	Velocity Limit High	1 – 127	
		07	1	00 – 7F	Note Limit Low	C-2 – G8	
		08	1	00 – 7F	Note Limit High	C-2 – G8	
		09	1	10 – 5B	Pitch Bend Range Upper	-48 – +24 (PB Part: -24 – +24)	
		0A	1	10 – 5B	Pitch Bend Range Lower	-48 – +24	
		0B	1	00 – 7F	Velocity Sense Depth	0 – 127	
		0C	1	00 – 7F	Velocity Send Offset	0 – 127	
		0D	1	00 – 7F	Volume	0 – 127	
		0E	1	01 – 7F	Pan	L63 – C – R63	
		0F	1		reserved		
		10	2	00 – 0F 00 – 0F	Detune MSB Detune LSB	-12.8 – +12.7 [Hz] 1st bit3-0 → bit7-4 2nd bit3-0 → bit3-0	
		12	1	00 – 7F	Reverb Send	0 – 127	
		13	1	00 – 7F	Chorus Send	0 – 127	
		14	1	00 – 7F		reserved	
		15	1	00 – 7F	Dry Level	0 – 127	
		16	1	28 – 5B	Note Shift	-24 – +24 [semitones]	
		17	1	00 – 7F	Filter Cutoff Frequency	-64 – +63	
		18	1	00 – 7F	Filter Resonance/Width	-64 – +63	
		19	1		reserved		
		1A	1	00 – 01	Portamento Switch	off, on	
		1B	1	00 – 7F	Portamento Time	0 – 127	
		1C	1	00 – 01	Portamento Mode	fingered, fulltime	
		1D	1		reserved		
		1E	1	00 – 7F	Output Select	0: L&R, 8: asnL&R, 9 – 15: asn1&2 – asn13&14 64 – 79: asnL, asnR, asn1 – asn14, 127: drum (or L&R)	
31	pp	1F	1	00 – 7F	Layer Sw	bit0: Layer Sw off, on	Part1: on, Other: off
				Arpeggio Sw	bit1: Arpeggio Sw off, on	Part1: on, Other: off	
				Receive Control Change	bit2: off, on Control Change bit3: reserved		
				Receive AT	bit4: reserved		
				Receive PB	bit5: off, on AT bit6: off, on PB		
		20	1	00 – 7F	Receive Expression	bit0: off, on Expression bit1: reserved bit2: reserved	
				Receive Sustain/Sostenuto	bit3: off, on Sustain/Sostenuto bit4: reserved		
				Receive MW	bit5: off, on MW bit6: reserved		
		21	1	00 – 7F	Receive FC2	bit0: off, on FC2	
				Receive FS	bit1: off, on FS		
				Receive FC1	bit2: off, on FC1		
				Receive BC	bit3: off, on BC		
				Receive Assign1	bit4: off, on AS1		
				Receive Assign2	bit5: off, on AS2		
				Receive RB	bit6: off, on RB		
31	pp	22	1	00 – 7F	AEG Decay2 Level (EG Sustain Level)	-64 – +63	
		23	1	00 – 7F	AEG Attack Time (EG Attack Time)	-64 – +63	
		24	1	00 – 01	Voice Pan on/off	off, on	
		25	1	00 – 7F	AEG Decay2 Time (EG Decay Time)	-64 – +63	
		26	1	00 – 7F	AEG Release Time (EG Release Time)	-64 – +63	
		27	1	00 – 7F	FEG Decay2 Level (EG Sustain Level)	-64 – +63	
		28	1	00 – 7F	FEG Attack Time (EG Attack Time)	-64 – +63	
		29	1		reserved		
		2A	1	00 – 7F	FEG Decay2 Time (EG Decay Time)	-64 – +63	
		2B	1	00 – 7F	FEG Release Time (EG Release Time)	-64 – +63	
		2C	1	00 – 7F	FEG DEPTH	-64 – +63	
31	pp	2D	1	00	reserved		
		2E	2	002E – 00B6	Low Frequency MSB Low Frequency LSB	50.1 – 2.00k	
		30	1	20 – 60	Low Gain	-32 – +32	
		31	1	00	reserved		
		32	2	0053 – 00F1	Mid Frequency MSB Mid Frequency LSB	139.7 – 10.1k	
		34	1	20 – 60	Mid Gain	-32 – +32	
		35	1	00 – 1F	Mid Resonance	0 – 31	
		36	2	0083 – 00FF	High Frequency MSB High Frequency LSB	503.8 – 14k	
		38	1	20 – 60	High Gain	-32 – +32	
		39	1	00	reserved		

TOTAL SIZE = 58 3 (HEX)

pp= номер партии

- 00 – 03 Part 1 – 4 (Normal, Drum)
- 60 Part Plug-in 1 (User, Preset, Direct)
- 61 Part Plug-in 2 (User, Preset, Direct)
- 62 Part Plug-in 3 (User, Preset, Direct)

Адрес	Размер	Диапазон значений данных (16-рич.)	Наименование параметра	Описание	Примечания	
34	pp	00	1	00 – 03	A/D Input Mode	L mono, R mono, L+R mono, stereo
		01	1	00 – 7F	A/D Part Volume	0 – 127
		02	1	01 – 7F	A/D Part Pan	L63 – C – R63
		03	1	00 – 7F	A/D Part Reverb Send	0 – 127
		04	1	00 – 7F	A/D Part Chorus Send	0 – 127
		05	1	00 – 7F		reserved
		06	1	00 – 7F	A/D Part Dry Level	0 – 127
		07	1	00 – 4F	A/D Part Output Select	0: L&R 8: asnL&R 9 – 15: asn1&2 – asn13&14 64 – 79: asnL, asnR, asn1 – asn14

TOTAL SIZE = 8 08 (HEX)

pp= номер партии

40 – 44 AD Part

ТАБЛИЦА ОБМЕНА ПАРАМЕТРОВ MIDI (ОБЩИЙ БЛОК ОБЫЧНОГО ГОЛОСА)

Адрес	Размер	Диапазон значений данных (16-рич.)	Наименование параметра	Описание	Примечания		
40	70	00	1	20 – 7E	Voice Name 1	32 – 126 (ASCII)	
		01	1	20 – 7E	Voice Name 2	32 – 126 (ASCII)	
		02	1	20 – 7E	Voice Name 3	32 – 126 (ASCII)	
		03	1	20 – 7E	Voice Name 4	32 – 126 (ASCII)	
		04	1	20 – 7E	Voice Name 5	32 – 126 (ASCII)	
		05	1	20 – 7E	Voice Name 6	32 – 126 (ASCII)	
		06	1	20 – 7E	Voice Name 7	32 – 126 (ASCII)	
		07	1	20 – 7E	Voice Name 8	32 – 126 (ASCII)	
		08	1	20 – 7E	Voice Name 9	32 – 126 (ASCII)	
		09	1	20 – 7E	Voice Name 10	32 – 126 (ASCII)	
		0A	1		reserved		
		0B	1		reserved		
		0C	1	00 – 10	Voice Category (Main)	0 – 16 (– – Co)	Ap, Kb, Or, Gt, Ba, St, Br, Rp, Ld, Pd, Sc, Cp, Dr, Se, Me, Co
		0D	1	00 – 03	Voice Category (Sub)	0 – 3 (– – Sub1 – Sub3)	Refer to "Category List."
		0E	1		reserved		
		0F	1		reserved		
		10	1		reserved		
		11	1		reserved		
		12	1		reserved		
40	70	13	1		reserved		
		14	2	0000 – 20FF	ARP Type MSB ARP Type LSB	0 – 1786: Preset, 8192 – 8447: User	
		16	1	00 – 01	ARP Switch	off, on	
		17	1	00 – 02	ARP Hold	sync-off, off, on	
		18	1	00 – 06	ARP Unit Multiplay	50%, 66%, 75%, 100%, 133%, 150%, 200%	
		19	1	00 – 7F	ARP Note Limit Low	C-2 – G8	
		1A	1	00 – 7F	ARP Note Limit High	C-2 – G8	
		1B	1	01 – 7F	ARP Velocity Limit Low	1 – 127	
		1C	1	01 – 7F	ARP Velocity Limit High	1 – 127	
		1D	1	00 – 04	ARP Key Mode	sort, thru, direct, sort+direct, thru+direct	
		1E	1	00 – 01	ARP Vel Mode	original, thru	
		1F	1	00 – 01	ARP Change Timing	realtime, measure	
		20	1	00 – 06	ARP Quantize Value	32nd, 16th Triplet, 16th, 8th Triplet, 8th, 4th Triplet, 4th	
		21	1	00 – 64	ARP Quantize Strength	0 – 100%	
		22	2	0000 – 00C8	ARP Velocity Rate MSB ARP Velocity Rate LSB	0 – 200%	
		24	2	0000 – 00C8	ARP Gate Time Rate MSB ARP Gate Time Rate LSB	0 – 200%	
		26	2	0008 – 00F8	ARP Swing MSB ARP Swing LSB	-120 – 0 – +120	
		28	2	0001 – 012C	ARP Tempo MSB ARP Tempo LSB	1 – 300	
		2A	2	0000 – 3FFF	ARP SF1 Assign Type MSB ARP SF1 Assign Type LSB	0 – 1786: Preset, 8192 – 8447: User, 16383: No Type	
		2C	2	0000 – 3FFF	ARP SF2 Assign Type MSB ARP SF2 Assign Type LSB	0 – 1786: Preset, 8192 – 8447: User, 16383: No Type	
		2E	2	0000 – 3FFF	ARP SF3 Assign Type MSB ARP SF3 Assign Type LSB	0 – 1786: Preset, 8192 – 8447: User, 16383: No Type	
		30	2	0000 – 3FFF	ARP SF4 Assign Type MSB ARP SF4 Assign Type LSB	0 – 1786: Preset, 8192 – 8447: User, 16383: No Type	

Таблица данных MIDI

Адрес	Размер	Диапазон значений данных (16-рич.)	Наименование параметра	Описание	Примечания	
	32	2	0000 – 3FFF	ARP SF5 Assign Type MSB ARP SF5 Assign Type LSB	0 – 1786: Preset, 8192 – 8447: User, 16383: No Type	
40	70	34	1	00 – 06	CS Function Select	0=Pan&Send, 1= Tone, 2=Assign, 3=MeqOffset, 4=MasterEffect, 5=ARP FX, 6=Vol
	35	1	01 – 7F	Pan	L63 – C – R63	
	36	1	40	reserved		
	37	1	00 – 7F	QED Decay Time	-64 – +63	
	38	1	00 – 7F	QED Sustain Level	-64 – +63	
	39	1	00 – 7F	QED FEG Attack Time	-64 – +63	
	3A	1	00 – 7F	QED FEG Decay Time	-64 – +63	
	3B	1	00 – 7F	QED FEG Release Time	-64 – +63	
	3C	1		reserved		
	3D	1	00 – 7F	QED FEG Depth	-64 – +63	
	3E	1	00 – 7F	AssignA	-64 – +63	
	3F	1	00 – 7F	AssignB	-64 – +63	
	40	1		reserved		
	41	1	00 – 7F	EQ Low Gain	-64 – +63	
	42	1	00 – 7F	EQ Low Mid Gain	-64 – +63	
	43	1	00 – 7F	EQ High Mid Gain	-64 – +63	
	44	1	00 – 7F	EQ High Gain	-64 – +63	
	45	1	00 – 7F	Assign1	-64 – +63	
	46	1	00 – 7F	Assign2	-64 – +63	
	47	1	00 – 7F	Cutoff Frequency	-64 – +63	
	48	1	00 – 7F	Resonance	-64 – +63	
	49	1	00 – 7F	Attack Time	-64 – +63	
	4A	1	00 – 7F	Release Time	-64 – +63	
	4B	1		reserved		
	4C	1		reserved		
	4D	1		reserved		
	4E	1		reserved		
	4F	1		reserved		
	50	1		reserved		
	51	1		reserved		

TOTAL SIZE = 82 52 (HEX)

40	00	00	1	00 – 7F	reserved	
	01	1	00 – 7F	Volume	0 – 127	
	02	1	00 – 01	Same Note Number Key On Assign	single, multi	
	03	1	00 – 01	QED Mono/Poly Mode	mono, poly	
	04	1	00 – 0C	Micro Tuning Scate	Equal, PureMajor, PureMinor, Werckmeister, Kirnberger, Vallot&Yng, 1/4 Shift, 1/4 Tone, 1/8 Tone, Indian, Arabic 1, Arabic 2, Arabic 3	
	05	1	10 – 58	QED Pitch Bend Range Upper	-48 – +24 [semitones]	
	06	1	10 – 58	QED Pitch Bend Range Lower	-48 – +24 [semitones]	
	07	1	00 – 01	QED Portamento Mode	fingered, fulltime	
	08	1	00 – 01	QED Portamento Switch	off, on	
	09	1	00 – 7F	QED Portamento Time	0 – 127	
	0A	1	00 – 03	Portamento Time Mode	rate1, time1, rate2, time2	
	0B	1	00 – 7F	Reverb Send	∞dB – 0dB	
	0C	1	00 – 7F	Chorus Send	∞dB – 0dB	
	0D	1		reserved		
	0E	1		reserved		
	0F	1	00 – 0B	Micro Tuning Root	C – B	
	10	1	00 – 07	Legato Slope	0 – 7	

TOTAL SIZE = 17 11 (HEX)

40	00	40	1	00 – 02	Insertion Connect Type	Para, A → B, B → A
	41	1	7F	reserved		
	42	1	7F	reserved		
	43	1	00	reserved		

TOTAL SIZE = 4 04 (HEX)

Адрес	Размер	Диапазон значений данных (16-рич.)	Наименование параметра	Описание	Примечания	
40	01	00	2	00 – 7F 00 – 7F	Reverb Type MSB Reverb Type LSB	Refer to "Effect Parameter List."
	02	2	00 – 7F 00 – 7F	Reverb Parameter 1 MSB Reverb Parameter 1 LSB	:	
	04	2	00 – 7F 00 – 7F	Reverb Parameter 2 MSB Reverb Parameter 2 LSB	:	
	06	2	00 – 7F 00 – 7F	Reverb Parameter 3 MSB Reverb Parameter 3 LSB	:	
	08	2	00 – 7F	Reverb Parameter 4 MSB Reverb Parameter 4 LSB	:	
	0A	2	00 – 7F 00 – 7F	Reverb Parameter 5 MSB Reverb Parameter 5 LSB	:	
	0C	2	00 – 7F 00 – 7F	Reverb Parameter 6 MSB Reverb Parameter 6 LSB	:	
	0E	2	00 – 7F 00 – 7F	Reverb Parameter 7 MSB Reverb Parameter 7 LSB	:	
	10	2	00 – 7F 00 – 7F	Reverb Parameter 8 MSB Reverb Parameter 8 LSB	:	
	12	2	00 – 7F 00 – 7F	Reverb Parameter 9 MSB Reverb Parameter 9 LSB	:	
	14	2	00 – 7F 00 – 7F	Reverb Parameter 10 MSB Reverb Parameter 10 LSB	:	
	16	2	00 – 7F 00 – 7F	Reverb Parameter 11 MSB Reverb Parameter 11 LSB	:	
	18	2	00 – 7F 00 – 7F	Reverb Parameter 12 MSB Reverb Parameter 12 LSB	:	
	1A	2	00 – 7F 00 – 7F	Reverb Parameter 13 MSB Reverb Parameter 13 LSB	:	
	1C	2	00 – 7F 00 – 7F	Reverb Parameter 14 MSB Reverb Parameter 14 LSB	:	
	1E	2	00 – 7F 00 – 7F	Reverb Parameter 15 MSB Reverb Parameter 15 LSB	:	
	20	2	00 – 7F 00 – 7F	Reverb Parameter 16 MSB Reverb Parameter 16 LSB	:	
	22	1	00 – 7F	Reverb Return	∞dB – 0dB – +6dB (0 – 96 – 127)	
	23	1	01 – 7F	Reverb Pan	L63 – C – R63	

TOTAL SIZE = 36 24 (HEX)

40	02	00	2	00 – 7F 00 – 7F	Chorus Type MSB Chorus Type LSB	Refer to "Effect Parameter List."
	02	2	00 – 7F 00 – 7F	Chorus Parameter 1 MSB Chorus Parameter 1 LSB	:	
	04	2	00 – 7F 00 – 7F	Chorus Parameter 2 MSB Chorus Parameter 2 LSB	:	
	06	2	00 – 7F 00 – 7F	Chorus Parameter 3 MSB Chorus Parameter 3 LSB	:	
	08	2	00 – 7F 00 – 7F	Chorus Parameter 4 MSB Chorus Parameter 4 LSB	:	
	0A	2	00 – 7F 00 – 7F	Chorus Parameter 5 MSB Chorus Parameter 5 LSB	:	
	0C	2	00 – 7F 00 – 7F	Chorus Parameter 6 MSB Chorus Parameter 6 LSB	:	
	0E	2	00 – 7F 00 – 7F	Chorus Parameter 7 MSB Chorus Parameter 7 LSB	:	
	10	2	00 – 7F 00 – 7F	Chorus Parameter 8 MSB Chorus Parameter 8 LSB	:	
	12	2	00 – 7F 00 – 7F	Chorus Parameter 9 MSB Chorus Parameter 9 LSB	:	
	14	2	00 – 7F 00 – 7F	Chorus Parameter 10 MSB Chorus Parameter 10 LSB	:	
	16	2	00 – 7F 00 – 7F	Chorus Parameter 11 MSB Chorus Parameter 11 LSB	:	
	18	2	00 – 7F 00 – 7F	Chorus Parameter 12 MSB Chorus Parameter 12 LSB	:	
	1A	2	00 – 7F 00 – 7F	Chorus Parameter 13 MSB Chorus Parameter 13 LSB	:	
	1C	2	00 – 7F 00 – 7F	Chorus Parameter 14 MSB Chorus Parameter 14 LSB	:	
	1E	2	00 – 7F 00 – 7F	Chorus Parameter 15 MSB Chorus Parameter 15 LSB	:	
	20	2	00 – 7F 00 – 7F	Chorus Parameter 16 MSB Chorus Parameter 16 LSB	:	
	22	1	00 – 7F	Chorus Return	∞dB – 0dB – +6dB (0 – 96 – 127)	
	23	1	01 – 7F	Chorus Pan	L63 – C – R63	
	24	1	00 – 7F	Send Chorus To Reverb	∞dB – 0dB (0 – 127)	

TOTAL SIZE = 37 25 (HEX)

Адрес	Размер	Диапазон значений данных (16-ричн.)	Наименование параметра	Описание	Примечания
40 03 00	2	00 – 7F 00 – 7F	Insertion-A Type MSB Insertion-A Type LSB	Refer to "Effect Parameter List."	
	02	2	00 – 7F 00 – 7F	Insertion-A Parameter 1 MSB Insertion-A Parameter 1 LSB	:
	04	2	00 – 7F 00 – 7F	Insertion-A Parameter 2 MSB Insertion-A Parameter 2 LSB	:
	06	2	00 – 7F 00 – 7F	Insertion-A Parameter 3 MSB Insertion-A Parameter 3 LSB	:
	08	2	00 – 7F 00 – 7F	Insertion-A Parameter 4 MSB Insertion-A Parameter 4 LSB	:
	0A	2	00 – 7F 00 – 7F	Insertion-A Parameter 5 MSB Insertion-A Parameter 5 LSB	:
	0C	2	00 – 7F 00 – 7F	Insertion-A Parameter 6 MSB Insertion-A Parameter 6 LSB	:
	0E	2	00 – 7F 00 – 7F	Insertion-A Parameter 7 MSB Insertion-A Parameter 7 LSB	:
	10	2	00 – 7F 00 – 7F	Insertion-A Parameter 8 MSB Insertion-A Parameter 8 LSB	:
	12	2	00 – 7F 00 – 7F	Insertion-A Parameter 9 MSB Insertion-A Parameter 9 LSB	:
	14	2	00 – 7F 00 – 7F	Insertion-A Parameter 10 MSB Insertion-A Parameter 10 LSB	:
	16	2	00 – 7F 00 – 7F	Insertion-A Parameter 11 MSB Insertion-A Parameter 11 LSB	:
	18	2	00 – 7F 00 – 7F	Insertion-A Parameter 12 MSB Insertion-A Parameter 12 LSB	:
	1A	2	00 – 7F 00 – 7F	Insertion-A Parameter 13 MSB Insertion-A Parameter 13 LSB	:
	1C	2	00 – 7F 00 – 7F	Insertion-A Parameter 14 MSB Insertion-A Parameter 14 LSB	:
	1E	2	00 – 7F 00 – 7F	Insertion-A Parameter 15 MSB Insertion-A Parameter 15 LSB	:
	20	2	00 – 7F 00 – 7F	Insertion-A Parameter 16 MSB Insertion-A Parameter 16 LSB	:

TOTAL SIZE = 34 22 (HEX)

Адрес	Размер	Диапазон значений данных (16-ричн.)	Наименование параметра	Описание	Примечания
40 04 00	2	00 – 7F 00 – 7F	Insertion-B Type MSB Insertion-B Type LSB	Refer to "Effect Parameter List."	
	02	2	00 – 7F 00 – 7F	Insertion-B Parameter 1 MSB Insertion-B Parameter 1 LSB	:
	04	2	00 – 7F 00 – 7F	Insertion-B Parameter 2 MSB Insertion-B Parameter 2 LSB	:
	06	2	00 – 7F 00 – 7F	Insertion-B Parameter 3 MSB Insertion-B Parameter 3 LSB	:
	08	2	00 – 7F 00 – 7F	Insertion-B Parameter 4 MSB Insertion-B Parameter 4 LSB	:
	0A	2	00 – 7F 00 – 7F	Insertion-B Parameter 5 MSB Insertion-B Parameter 5 LSB	:
	0C	2	00 – 7F 00 – 7F	Insertion-B Parameter 6 MSB Insertion-B Parameter 6 LSB	:
	0E	2	00 – 7F 00 – 7F	Insertion-B Parameter 7 MSB Insertion-B Parameter 7 LSB	:
	10	2	00 – 7F 00 – 7F	Insertion-B Parameter 8 MSB Insertion-B Parameter 8 LSB	:
	12	2	00 – 7F 00 – 7F	Insertion-B Parameter 9 MSB Insertion-B Parameter 9 LSB	:
	14	2	00 – 7F 00 – 7F	Insertion-B Parameter 10 MSB Insertion-B Parameter 10 LSB	:
	16	2	00 – 7F 00 – 7F	Insertion-B Parameter 11 MSB Insertion-B Parameter 11 LSB	:
	18	2	00 – 7F 00 – 7F	Insertion-B Parameter 12 MSB Insertion-B Parameter 12 LSB	:
	1A	2	00 – 7F 00 – 7F	Insertion-B Parameter 13 MSB Insertion-B Parameter 13 LSB	:
	1C	2	00 – 7F 00 – 7F	Insertion-B Parameter 14 MSB Insertion-B Parameter 14 LSB	:
	1E	2	00 – 7F 00 – 7F	Insertion-B Parameter 15 MSB Insertion-B Parameter 15 LSB	:
	20	2	00 – 7F 00 – 7F	Insertion-B Parameter 16 MSB Insertion-B Parameter 16 LSB	:

TOTAL SIZE = 34 22 (HEX)

Адрес	Размер	Диапазон значений данных (16-ричн.)	Наименование параметра	Описание	Примечания
40 05 00	1	00 – 0C	Controller Set 1 Source	0: PB, 1: MW, 3: AT, 4: FC, 5: FS, 6: RB, 7: BC, 8: AS1, 9: AS2, 12: FC2	
	01	2	00 00 – 44	Controller Set 1 Destination MSB Controller Set 1 Destination LSB	0 – 68
	03	1	00 – 7F	Controller Set 1 Depth	-64 – +63
	04	1		reserved	
	05	1	00 – 0C	Controller Set 2 Source	0: PB, 1: MW, 3: AT, 4: FC, 5: FS, 6: RB, 7: BC, 8: AS1, 9: AS2, 12: FC2
	06	2	00 00 – 44	Controller Set 2 Destination MSB Controller Set 2 Destination LSB	0 – 68
	08	1	00 – 7F	Controller Set 2 Depth	-64 – +63
	09	1		reserved	
	0A	1	00 – 0C	Controller Set 3 Source	0: PB, 1: MW, 3: AT, 4: FC, 5: FS, 6: RB, 7: BC, 8: AS1, 9: AS2, 12: FC2

Адрес	Размер	Диапазон значений данных (16-ричн.)	Наименование параметра	Описание	Примечания
	0B	2	00 00 – 44	Controller Set 3 Destination MSB Controller Set 3 Destination LSB	0 – 68
	0D	1	00 – 7F	Controller Set 3 Depth	-64 – +63
	0E	1		reserved	
	0F	1	00 – 0C	Controller Set 4 Source	0: PB, 1: MW, 3: AT, 4: FC, 5: FS, 6: RB, 7: BC, 8: AS1, 9: AS2, 12: FC2
	10	2	00 00 – 44	Controller Set 4 Destination MSB Controller Set 4 Destination LSB	0 – 68
	12	1	00 – 7F	Controller Set 4 Depth	-64 – +63
	13	1		reserved	
	14	1	00 – 0C	Controller Set 5 Source	0: PB, 1: MW, 3: AT, 4: FC, 5: FS, 6: RB, 7: BC, 8: AS1, 9: AS2, 12: FC2
	15	2	00 00 – 44	Controller Set 5 Destination MSB Controller Set 5 Destination LSB	0 – 68
	17	1	00 – 7F	Controller Set 5 Depth	-64 – +63
	18	1		reserved	
	19	1	00 – 0C	Controller Set 6 Source	0: PB, 1: MW, 3: AT, 4: FC, 5: FS, 6: RB, 7: BC, 8: AS1, 9: AS2, 12: FC2
	1A	2	00 00 – 44	Controller Set 6 Destination MSB Controller Set 6 Destination LSB	0 – 68
	1C	1	00 – 7F	Controller Set 6 Depth	-64 – +63
	1D	1		reserved	

TOTAL SIZE = 30 1E (HEX)

Адрес	Размер	Диапазон значений данных (16-ричн.)	Наименование параметра	Описание	Примечания	
40 06 00	1	00 – 05	LFO Phase		0, 90, 120, 180, 240, 270	
	01	1	00 – 0C	LFO Wave	tri, tri+, sawup, sawdwn, squ1/4, squ1/3, squ, squ2/3, squ3/4, trpzcd, S/H1, S/H2, user	
	02	1	00 – 3F	LFO Speed	0 – 63 (available only when the Tempo Sync is set to off)	
	03	1	05 – 15	LFO Tempo Speed	5 – 21 (available only when the Tempo Sync is set to on)	16th, 8th/3, 16th., 8th, 4th/3, 8th., 4th, 2th/3, 4th., 2nd, Whole/3, 2nd., 4thX4, 4thX5, 4thX6, 4thX7, 4thX8
	04	1	00 – 01	LFO Tempo Sync	OFF, ON	
	05	1	00 – 7F	LFO Delay Time	0 – 127	
	06	1	00 – 7F	LFO Fade In Time	0 – 127	
	07	1	00 – 7F	LFO Hold Time	0 – 127	
	08	1	00 – 7F	LFO Fade Out Time	0 – 127	
	09	1	00 – 02	LFO Key On Reset	off, each-on, 1st-on	
	0A	1	00 – 05	LFO Box1 Destination	AMD, PMD, FMD, Reso, Pan, Element LFO Speed	
	0B	1	00 – 7F	LFO Box1 Depth	0 – 127	
	0C	1		reserved		
	0D	1	00 – 05	LFO Box2 Destination	AMD, PMD, FMD, Reso, Pan, Element LFO Speed	
	0E	1	00 – 7F	LFO Box2 Depth	0 – 127	
	0F	1		reserved		
	10	1	00 – 05	LFO Box3 Destination	AMD, PMD, FMD, Reso, Pan, Element LFO Speed	
	11	1	00 – 7F	LFO Box3 Depth	0 – 127	
	12	1		reserved		
	13	1	00 – 06	User Wave Total Step	2, 3, 4, 6, 8, 12, 16	
	14	1	00 – 03	User Wave Slope	Off, Up, Down, Up&Down	
	15	1	00 – 7F	User Wave Step Value 1	0 – 127	
	16	1	00 – 7F	User Wave Step Value 2	0 – 127	
	17	1	00 – 7F	User Wave Step Value 3	0 – 127	
	18	1	00 – 7F	User Wave Step Value 4	0 – 127	
	19	1	00 – 7F	User Wave Step Value 5	0 – 127	
	1A	1	00 – 7F	User Wave Step Value 6	0 – 127	
	1B	1	00 – 7F	User Wave Step Value 7	0 – 127	
	1C	1	00 – 7F	User Wave Step Value 8	0 – 127	
	1D	1	00 – 7F	User Wave Step Value 9	0 – 127	
	1E	1	00 – 7F	User Wave Step Value 10	0 – 127	
	1F	1	00 – 7F	User Wave Step Value 11	0 – 127	
	20	1	00 – 7F	User Wave Step Value 12	0 – 127	
	21	1	00 – 7F	User Wave Step Value 13	0 – 127	
	22	1	00 – 7F	User Wave Step Value 14	0 – 127	
	23	1	00 – 7F	User Wave Step Value 15	0 – 127	
	24	1	00 – 7F	User Wave Step Value 16	0 – 127	
	25	1	00 – 7F	LFO Random Speed Depth	0 – 127	

TOTAL SIZE = 38 26 (HEX)

**ТАБЛИЦА ОБМЕНА ПАРАМЕТРОВ MIDI
(ЭЛЕМЕНТ ОБЫЧНОГО ГОЛОСА)**

Адрес	Размер	Диапазон значений данных (16-ричн.)	Наименование параметра	Описание	Примечания	
41	ee	00 1	00 - 01	Element Assign	0: Off, 1: On	
		01 1	00	Wave Select	0: Preset	
		02 1	00 - 7F	Element Group Number	0 - 127	
		03 2	00 - 7F 00 - 7F	Wave Number MSB Wave Number LSB	1 - 1935 1st bit6-0 → bit13-7	
		05 1	00 - 01	Rcv Note Off	On	
		06 1	00 - 01	Key Assign	Multi	
		07 1	00 - 7F	Alternate Group	00: Off	
		08 1	01 - 7F	Pan	L63 - C - R63	
		09 1	00 - 7F	Random Pan Depth	0 - 127	
		0A 1	00 - 7F	Alternate Pan Depth	L64 - 0 - R63	
		0B 1	00 - 7F	Scaling Pan Depth	-64 - +63	
		0C 1	00 - 7F	Note Limit Low	0 - 127	
		0D 1	00 - 7F	Note Limit High	0 - 127	
		0E 1	01 - 7F	Velocity Limit Low	1 - 127	
		0F 1	01 - 7F	Velocity Limit High	1 - 127	
		10 1	00 - 7F	Velocity Cross Fade	0 - 127	
		11 1	00 - 7F	Key On Delay	0 - 127 (available only when the Tempo Sync is set to off)	
		12 1	00 - 01	Key On Delay Tempo Sync	0: Off, 1: On	
		13 1	00 - 7F	Element Reverb Send Level	127	
		14 1	00 - 7F	Element Chorus Send Level	127	
		15 1		reserved		
		16 1	00 - 02	Insertion Effect Switch	thru, insA, insB	
		17 1	00, 08, 40 - 45	Output Select	0: Stereo Out	
		18 2	00 - 00 00 - 3F	Control Box Sw	BIT0 - 6: Reserved BIT0 - 5: Box1 - Box6, BIT6: Reserved	
		1A 2	00 - 00 00 - 07	LFO Box Sw	BIT0 - 6: Reserved BIT0 - 2: Box1 - Box3, BIT3 - 6: Reserved	
		1C 1	05 - 15	Key On Delay Tempo	5 - 21 (available only when the Tempo Sync is set to on) 16th, 8th/3, 16th., 8th, 4th/3, 8th., 4th, 2th/3, 4th., 2nd, Whole/3, 2nd., 4thX4, 4thX5, 4thX6, 4thX7, 4thX8	
		1D 1	00 - 01	Half Damper Switch	0: Off, 1: On	

TOTAL SIZE = 30 1E (HEX)

Адрес	Размер	Диапазон значений данных (16-ричн.)	Наименование параметра	Описание	Примечания	
41	ee	20 1	00 - 7F	Element Level	0 - 127	
		21 1	00 - 7F	Level Velocity Sensitivity	-64 - +63	
		22 1	00 - 04	LEVEL SENS VELOCITY CURVE	00 - 04	
		23 1	00	reserved		
		24 1	00 - 7F	AEG Attack Time	0 - 127	
		25 1	00 - 7F	AEG Decay1 Time	0 - 127	
		26 1	00 - 7F	AEG Decay2 Time	0 - 127	
		27 1	00 - 7F	AEG Release Time	0 - 127	
		28 1	00 - 7F	AEG Init Level	0 - 127	
		29 1	00 - 7F	AEG Attack Level	0 - 127	
		2A 1	00 - 7F	AEG Decay1 Level	0 - 127	
		2B 1	00 - 7F	AEG Decay2 Level	0 - 127	
		2C 1	00	reserved		
		2D 1	00 - 04	AEG Time Velocity Segment	ATK, ATK+DCY, DCY, ATK+RLS, ALL	
		2E 1	00 - 7F	AEG Time Velocity Sensitivity	-64 - +63	
		2F 1	00 - 7F	Level Key Follow Sensitivity	-200% - +200%	
		30 1	00 - 7C	Level Scaling Break Point 1	C -2 - E8	BP1<BP2<BP3<BP4
		31 1	01 - 7D	Level Scaling Break Point 2	C# -2 - F8	BP1<BP2<BP3<BP4
		32 1	02 - 7E	Level Scaling Break Point 3	D -2 - F# 8	BP1<BP2<BP3<BP4
		33 1	03 - 7F	Level Scaling Break Point 4	D# -2 - G8	BP1<BP2<BP3<BP4
		34 2	00 - 01 00 - 7F	Level Scaling Offset 1	-128 - +127	
		36 2	00 - 01 00 - 7F	Level Scaling Offset 2	-128 - +127	
		38 2	00 - 01 00 - 7F	Level Scaling Offset 3	-128 - +127	
		3A 2	00 - 01 00 - 7F	Level Scaling Offset 4	-128 - +127	
		3C 1	00 - 7F	AEG Time Key Follow Sensitivity	-64 - +63	
		3D 1	00 - 7F	AEG Time Key Follow Center Note	C-2 - G8	
		3E 1	00 - 7F	AEG Sustain Time	0 - 127	

TOTAL SIZE = 31 1F (HEX)

Адрес	Размер	Диапазон значений данных (16-ричн.)	Наименование параметра	Описание	Примечания	
42	ee	00 1	10 - 70	Coarse Tune	-48 - +48	
		01 1	00 - 7F	Fine Tune	-64 - +63	
		02 1	00 - 7F	Velocity Pitch Sensitivity	-64 - +63	
		03 1	00	reserved		
		04 1	00 - 7F	Random Pitch Depth	0 - 127	
		05 1	00 - 7F	PEG Hold Time	0 - 127	
		06 1	00 - 7F	PEG Attack Time	0 - 127	
		07 1	00 - 7F	PEG Decay1 Time	0 - 127	
		08 1	00 - 7F	PEG Decay2 Time	0 - 127	
		09 1	00 - 7F	PEG Release Time	0 - 127	
		0A 2	00 - 01 00 - 7F	PEG Hold Level	-128 - +127 (-4800 - +4800 [cent])	
		0C 2	00 - 01 00 - 7F	PEG Attack Level	-128 - +127 (-4800 - +4800 [cent])	
		0E 2	00 - 01 00 - 7F	PEG Decay1 Level	-128 - +127 (-4800 - +4800 [cent])	
		10 2	00 - 01 00 - 7F	PEG Decay2 Level	-128 - +127 (-4800 - +4800 [cent])	
		12 2	00 - 01 00 - 7F	PEG Release Level	-128 - +127 (-4800 - +4800 [cent])	
		14 1	00 - 7F	PEG Depth	-64 - +63	
		15 1	00 - 04	PEG Time Velocity Segment	ATK, ATK+DCY, DCY, ATK+RLS, ALL	
		16 1	00 - 7F	PEG Time Velocity Sensitivity	-64 - +63	
		17 1	00 - 7F	PEG Level Velocity Sensitivity	-64 - +63	
		18 1	00 - 04	PEG Level Sens Velocity Curve	00 - 04	
		19 1	00 - 7F	Pitch Key Follow Sensitivity	-200% - +200%	
		1A 1	00 - 7F	Pitch Key Follow Center Note	C-2 - G8	
		1B 1	00 - 7F	PEG Time Key Follow Sensitivity	-64 - +63	
		1C 1	00 - 7F	PEG Time Key Follow Center Note	C-2 - G8	
		1D 1	00 - 7F	Pitch Fine Scaling Sensitivity	-64 - +63	

TOTAL = 30 1E (HEX)

Адрес	Размер	Диапазон значений данных (16-ричн.)	Наименование параметра	Описание	Примечания	
43	ee	00 1	00 - 15	Filter Type	0: LPF24D, 1: LPF24A, 2: LPF18, 3: LPF18s, 4: LPF12, 5: LPF6, 6: HPF24D, 7: HPF12, 8: BPF12D, 10: BPFw, 11: BPF6, 12: BEF12, 13: BEF6, 14: Dual LPF, 15: Dual HPF 16: Dual BPF 17: Dual BEF 19: LPF12+BPF6, 21: THRU	
		01 2	00 - 01 00 - 7F	Filter Cutoff Frequency	0 - 255	
		03 1	00 - 7F	Filter Cutoff Velocity Sensitivity	-64 - +63	
		04 1		reserved		
		05 1	00 - 7F	Filter Resonance/Width/Band	0 - 127	
		06 1	00 - 7F	Filter Resonance Velocity Sensitivity	-64 - +63	
		07 2	00 - 01 00 - 7F	HPF Cutoff Frequency	0 - 255	
		09 1	40	reserved		
		0A 2	00 - 01 00 - 7F	Distance	0 - 255 (available only when the Dual Type Filter is selected)	
		0C 2	00 - 01 00 - 7F	Filter Gain	0 - 255	
		0E 1	00 - 7F	FEG Hold Time	0 - 127	
		0F 1	00 - 7F	FEG Attack Time	0 - 127	
		10 1	00 - 7F	FEG Decay1 Time	0 - 127	
		11 1	00 - 7F	FEG Decay2 Time	0 - 127	
		12 1	00 - 7F	FEG Release Time	0 - 127	
		13 2	00 - 01 00 - 7F	FEG Hold Level	-128 - +127 (-9600 - +9600 [cent])	
		15 2	00 - 01 00 - 7F	FEG Attack Level	-128 - +127 (-9600 - +9600 [cent])	
		17 2	00 - 01 00 - 7F	FEG Decay1 Level	-128 - +127 (-9600 - +9600 [cent])	
		19 2	00 - 01 00 - 7F	FEG Decay2 Level	-128 - +127 (-9600 - +9600 [cent])	
		1B 2	00 - 01 00 - 7F	FEG Release Level	-128 - +127 (-9600 - +9600 [cent])	
		1D 1	00 - 7F	FEG Depth	-64 - +63	
		1E 1	00 - 04	FEG Time Velocity Segment	ATK, ATK+DCY, DCY, ATK+RLS, ALL	
		1F 1	00 - 7F	FEG Time Velocity Sensitivity	-64 - +63	
		20 1	00 - 7F	FEG Level Velocity Sensitivity	-64 - +63	
		21 1	00 - 04	FEG Level Velocity Curve	00 - 04	
		22 1	00 - 7F	Filter Cutoff Key Follow Sensitivity	-200% - +200%	
		23 1	00 - 7C	Filter Cutoff Scaling Break Point 1	C -2 - E8	BP1<BP2<BP3<BP4

ТАБЛИЦА ОБМЕНА ПАРАМЕТРОВ MIDI (ОБЩИЕ ДАННЫЕ ГОЛОСА УДАРНОГО ИНСТРУМЕНТА)

Адрес	Размер	Диапазон значений данных (16-ричн.)	Наименование параметра	Описание	Примечания	
	24	1	01 - 7D	Filter Cutoff Scaling Break Point 2	Cf -2 - F8	BP1 < BP2 < BP3 < BP4
	25	1	02 - 7E	Filter Cutoff Scaling Break Point 3	D -2 - F# 8	BP1 < BP2 < BP3 < BP4
	26	1	03 - 7F	Filter Cutoff Scaling Break Point 4	D# -2 - G8	BP1 < BP2 < BP3 < BP4
	27	2	00 - 01 00 - 7F	Filter Cutoff Scaling Offset 1	-128 - +127	
	29	2	00 - 01 00 - 7F	Filter Cutoff Scaling Offset 2	-128 - +127	
	2B	2	00 - 01 00 - 7F	Filter Cutoff Scaling Offset 3	-128 - +127	
	2D	2	00 - 01 00 - 7F	Filter Cutoff Scaling Offset 4	-128 - +127	
	2F	1	00 - 7F	HPF Cutoff Key Follow Sensitivity	-200% - +200%	
	30	1	00 - 7F	FEG Time Key Follow Sensitivity	-64 - +63	
	31	1	00 - 7F	FEG Time Key Follow Center Note	C-2 - G8	

TOTAL SIZE = 50 32 (HEX)

44	ee	00	1	00 - 05	EQ Type	EQ L/H, PEQ, Boost6, Boost12, Boost18, thru	
		01	1	00 - 1F	EQ Resonance	0 - 31	
		02	2	00 - 01 00 - 7F	EQ 1 Frequency	EQ L/H: 46 - 182, PEQ: 83 - 251	
		04	1	20 - 60	EQ 1 Gain	-32 - +32	
		05	2	00 - 01 00 - 7F	EQ 2 Frequency	EQ L/H: 131 - 241	
		07	1	20 - 60	EQ 2 Gain	-32 - +32	

TOTAL SIZE = 8 08 (HEX)

44	ee	40	1	00 - 02	LFO Wave	saw, tri, squ	
		41	1	00 - 01	LFO Key On Sync	off, on	
		42	1	00 - 7F	LFO Key On Delay Time	0 - 127	
		43	1	00 - 3F	LFO Speed	0 - 63	
		44	1	00 - 7F	LFO AMod Depth	0 - 127	
		45	1	00 - 7F	LFO PMod Depth	0 - 127	
		46	1	00 - 7F	LFO FMod Depth	0 - 127	
		47	1	00 - 7F	LFO Fade In Time	0 - 127	

TOTAL SIZE = 8 08 (HEX)

44	ee	50	1	00 - 05	Common LFO Phase Offset	+0, +90, +120, +180, +240, +270	
		51	1	00 - 7F	Common LFO Box 1 Depth Ratio	0 - 127	
		52	1	00 - 7F	Common LFO Box 2 Depth Ratio	0 - 127	
		53	1	00 - 7F	Common LFO Box 3 Depth Ratio	0 - 127	

TOTAL SIZE = 4 04 (HEX)

ee=номер элемента (00-03)

Адрес	Размер	Диапазон значений данных (16-ричн.)	Наименование параметра	Описание	Примечания	
46	70	00	1	20 - 7E	Voice Name 1	32 - 126 (ASCII)
		01	1	20 - 7E	Voice Name 2	32 - 126 (ASCII)
		02	1	20 - 7E	Voice Name 3	32 - 126 (ASCII)
		03	1	20 - 7E	Voice Name 4	32 - 126 (ASCII)
		04	1	20 - 7E	Voice Name 5	32 - 126 (ASCII)
		05	1	20 - 7E	Voice Name 6	32 - 126 (ASCII)
		06	1	20 - 7E	Voice Name 7	32 - 126 (ASCII)
		07	1	20 - 7E	Voice Name 8	32 - 126 (ASCII)
		08	1	20 - 7E	Voice Name 9	32 - 126 (ASCII)
		09	1	20 - 7E	Voice Name 10	32 - 126 (ASCII)
		0A	1		reserved	
		0B	1		reserved	
		0C	1	00 - 10	Voice Category (Main)	0 - 16 (-- Co) Ap, Kb, Or, Gt, Ba, St, Br, Rp, Ld, Pd, Sc, Cp, Dr, Se, Me, Co
		0D	1	00 - 03	Voice Category (Sub)	0 - 3 (-- Sub1 - Sub3) Depends on Main Category.
		0E	1		reserved	
		0F	1		reserved	
		10	1		reserved	
		11	1		reserved	
		12	1		reserved	
46	70	13	1		reserved	
		14	2	0000 - 20FF	ARP Type MSB ARP Type LSB	0 - 1786: Preset, 8192 - 8447: User
		16	1	00 - 01	ARP Switch	off, on
		17	1	00 - 02	ARP Hold	sync-off, off, on
		18	1	00 - 06	ARP Unit Multiply	50%, 66%, 75%, 100%, 133%, 150%, 200%
		19	1	00 - 7F	ARP Note Limit Low	C-2 - G8
		1A	1	00 - 7F	ARP Note Limit High	C-2 - G8
		1B	1	01 - 7F	ARP Velocity Limit Low	1 - 127
		1C	1	01 - 7F	ARP Velocity Limit High	1 - 127
		1D	1	00 - 04	ARP Key Mode	sort, thru, direct, sort+direct, thru+direct
		1E	1	00 - 01	ARP Vel Mode	original, thru
		1F	1	00 - 01	ARP Change Timing	realtime, measure
		20	1	00 - 06	ARP Quantize Value	32nd, 16th Triplet, 16th, 8th Triplet, 8th, 4th Triplet, 4th
		21	1	00 - 64	ARP Quantize Strength	0 - 100%
		22	2	0000 - 00C8	ARP Velocity Rate MSB ARP Velocity Rate LSB	0 - 200%
		24	2	0000 - 00C8	ARP Gate Time Rate MSB ARP Gate Time Rate LSB	0 - 200%
		26	2	0008 - 00F8	ARP Swing MSB ARP Swing LSB	-120 - 0 - +120
		28	2	0001 - 012C	ARP Tempo MSB ARP Tempo LSB	1 - 300
		2A	2	0008 - 00F8	ARP SF1 Assign Type MSB ARP SF1 Assign Type LSB	0 - 1786: Preset, 8192 - 8447: User, 16383: No Type
		2C	2	0008 - 00F8	ARP SF2 Assign Type MSB ARP SF2 Assign Type LSB	0 - 1786: Preset, 8192 - 8447: User, 16383: No Type
		2E	2	0008 - 00F8	ARP SF3 Assign Type MSB ARP SF3 Assign Type LSB	0 - 1786: Preset, 8192 - 8447: User, 16383: No Type
		30	2	00 - 7F 00 - 7F	ARP SF4 Assign Type MSB ARP SF4 Assign Type LSB	0 - 1786: Preset, 8192 - 8447: User, 16383: No Type
		32	2	00 - 7F 00 - 7F	ARP SF5 Assign Type MSB ARP SF5 Assign Type LSB	0 - 1786: Preset, 8192 - 8447: User, 16383: No Type
46	70	34	1	00 - 06	CS Function Select	0=Pan&Send, 1= Tone, 2=Assign, 3=MeqOffset, 4=MasterEffect, 5=ARP FX, 6=Vol L63 - C - R63
		35	1	01 - 7F	Pan	
		36	1		reserved	
		37	1	00 - 7F	QED Decay Time	-64 - +63
		38	1		reserved	
		39	1		reserved	
		3A	1		reserved	
		3B	1		reserved	
		3C	1		reserved	
		3D	1		reserved	
		3E	1	00 - 7F	AssignA	-64 - +63
		3F	1	00 - 7F	AssignB	-64 - +63
		40	1		reserved	
		41	1	00 - 7F	EQ Low Gain	-64 - +63
		42	1	00 - 7F	EQ Low Mid Gain	-64 - +63
		43	1	00 - 7F	EQ High Mid Gain	-64 - +63
		44	1	00 - 7F	EQ High Gain	-64 - +63
		45	1	00 - 7F	Assign1	-64 - +63
		46	1	00 - 7F	Assign2	-64 - +63

Таблица данных MIDI

Адрес	Размер	Диапазон значений данных (16-рич.)	Наименование параметра	Описание	Примечания	
	47	1	00 – 7F	Cutoff Frequency	-64 – +63	
	48	1	00 – 7F	Resonance	-64 – +63	
	49	1	00 – 7F	Attack Time	-64 – +63	
	4A	1		reserved		
	4B	1		reserved		
	4C	1		reserved		
	4D	1		reserved		
	4E	1		reserved		
	4F	1		reserved		
	50	1		reserved		
	51	1		reserved		

TOTAL SIZE = 82 52 (HEX)

46	00	00	1	00 – 7F	Volume	0 – 127	
	01	1			reserved		
	02	1	10 – 5B	QED Pitch Bend Range Upper	-48 – +24 [semitones]		
	03	1	10 – 5B	QED Pitch Bend Range Lower	-48 – +24 [semitones]		
	04	1	00 – 7F	Reverb Send	∞dB – 0dB		
	05	1	00 – 7F	Chorus Send	∞dB – 0dB		
	06	1		reserved			
	07	1		reserved			

TOTAL SIZE = 8 08 (HEX)

46	00	40	1	00 – 02	Insertion Connect Type	Para, A → B, B → A	
	41	1	00 – 7F	Ins-EF Reverb Send Level	0 – 127		
	42	1	00 – 7F	Ins-EF Chorus Send Level	0 – 127		
	43	1		reserved			

TOTAL SIZE = 4 04 (HEX)

46	01	00	2	00 – 7F 00 – 7F	Reverb Type MSB Reverb Type LSB	Refer to "Effect Parameter List."	
	02	2	00 – 7F 00 – 7F	Reverb Parameter 1 MSB Reverb Parameter 1 LSB	:		
	04	2	00 – 7F 00 – 7F	Reverb Parameter 2 MSB Reverb Parameter 2 LSB	:		
	06	2	00 – 7F 00 – 7F	Reverb Parameter 3 MSB Reverb Parameter 3 LSB	:		
	08	2	00 – 7F 00 – 7F	Reverb Parameter 4 MSB Reverb Parameter 4 LSB	:		
	0A	2	00 – 7F 00 – 7F	Reverb Parameter 5 MSB Reverb Parameter 5 LSB	:		
	0C	2	00 – 7F 00 – 7F	Reverb Parameter 6 MSB Reverb Parameter 6 LSB	:		
	0E	2	00 – 7F 00 – 7F	Reverb Parameter 7 MSB Reverb Parameter 7 LSB	:		
	10	2	00 – 7F 00 – 7F	Reverb Parameter 8 MSB Reverb Parameter 8 LSB	:		
	12	2	00 – 7F 00 – 7F	Reverb Parameter 9 MSB Reverb Parameter 9 LSB	:		
	14	2	00 – 7F 00 – 7F	Reverb Parameter 10 MSB Reverb Parameter 10 LSB	:		
	16	2	00 – 7F 00 – 7F	Reverb Parameter 11 MSB Reverb Parameter 11 LSB	:		
	18	2	00 – 7F 00 – 7F	Reverb Parameter 12 MSB Reverb Parameter 12 LSB	:		
	1A	2	00 – 7F 00 – 7F	Reverb Parameter 13 MSB Reverb Parameter 13 LSB	:		
	1C	2	00 – 7F 00 – 7F	Reverb Parameter 14 MSB Reverb Parameter 14 LSB	:		
	1E	2	00 – 7F 00 – 7F	Reverb Parameter 15 MSB Reverb Parameter 15 LSB	:		
	20	2	00 – 7F 00 – 7F	Reverb Parameter 16 MSB Reverb Parameter 16 LSB	:		
	22	1	00 – 7F	Reverb Return	∞dB – 0dB – +6dB (0 – 96 – 127)		
	23	1	01 – 7F	Reverb Pan	L63 – C – R63		

TOTAL SIZE = 36 24 (HEX)

46	02	00	2	00 – 7F 00 – 7F	Chorus Type MSB Chorus Type LSB	Refer to "Effect Parameter List."	
	02	2	00 – 7F 00 – 7F	Chorus Parameter 1 MSB Chorus Parameter 1 LSB	:		
	04	2	00 – 7F 00 – 7F	Chorus Parameter 2 MSB Chorus Parameter 2 LSB	:		
	06	2	00 – 7F 00 – 7F	Chorus Parameter 3 MSB Chorus Parameter 3 LSB	:		
	08	2	00 – 7F 00 – 7F	Chorus Parameter 4 MSB Chorus Parameter 4 LSB	:		
	0A	2	00 – 7F 00 – 7F	Chorus Parameter 5 MSB Chorus Parameter 5 LSB	:		
	0C	2	00 – 7F 00 – 7F	Chorus Parameter 6 MSB Chorus Parameter 6 LSB	:		
	0E	2	00 – 7F 00 – 7F	Chorus Parameter 7 MSB Chorus Parameter 7 LSB	:		
	10	2	00 – 7F 00 – 7F	Chorus Parameter 8 MSB Chorus Parameter 8 LSB	:		
	12	2	00 – 7F 00 – 7F	Chorus Parameter 9 MSB Chorus Parameter 9 LSB	:		
	14	2	00 – 7F 00 – 7F	Chorus Parameter 10 MSB Chorus Parameter 10 LSB	:		
	16	2	00 – 7F 00 – 7F	Chorus Parameter 11 MSB Chorus Parameter 11 LSB	:		
	18	2	00 – 7F 00 – 7F	Chorus Parameter 12 MSB Chorus Parameter 12 LSB	:		
	1A	2	00 – 7F 00 – 7F	Chorus Parameter 13 MSB Chorus Parameter 13 LSB	:		
	1C	2	00 – 7F 00 – 7F	Chorus Parameter 14 MSB Chorus Parameter 14 LSB	:		
	1E	2	00 – 7F 00 – 7F	Chorus Parameter 15 MSB Chorus Parameter 15 LSB	:		
	20	2	00 – 7F 00 – 7F	Chorus Parameter 16 MSB Chorus Parameter 16 LSB	:		
	22	1	00 – 7F	Chorus Return	∞dB – 0dB – +6dB (0 – 96 – 127)		
	23	1	01 – 7F	Chorus Pan	L63 – C – R63		
	24	1	00 – 7F	Send Chorus To Reverb	∞dB – 0dB (0 – 127)		

TOTAL SIZE = 37 25 (HEX)

46	03	00	2	00 – 7F 00 – 7F	Insertion-A Type MSB Insertion-A Type LSB	Refer to "Effect Parameter List."	
	02	2	00 – 7F 00 – 7F	Insertion-A Parameter 1 MSB Insertion-A Parameter 1 LSB	:		
	04	2	00 – 7F 00 – 7F	Insertion-A Parameter 2 MSB Insertion-A Parameter 2 LSB	:		
	06	2	00 – 7F 00 – 7F	Insertion-A Parameter 3 MSB Insertion-A Parameter 3 LSB	:		
	08	2	00 – 7F 00 – 7F	Insertion-A Parameter 4 MSB Insertion-A Parameter 4 LSB	:		
	0A	2	00 – 7F 00 – 7F	Insertion-A Parameter 5 MSB Insertion-A Parameter 5 LSB	:		
	0C	2	00 – 7F 00 – 7F	Insertion-A Parameter 6 MSB Insertion-A Parameter 6 LSB	:		
	0E	2	00 – 7F 00 – 7F	Insertion-A Parameter 7 MSB Insertion-A Parameter 7 LSB	:		
	10	2	00 – 7F 00 – 7F	Insertion-A Parameter 8 MSB Insertion-A Parameter 8 LSB	:		
	12	2	00 – 7F 00 – 7F	Insertion-A Parameter 9 MSB Insertion-A Parameter 9 LSB	:		
	14	2	00 – 7F 00 – 7F	Insertion-A Parameter 10 MSB Insertion-A Parameter 10 LSB	:		
	16	2	00 – 7F 00 – 7F	Insertion-A Parameter 11 MSB Insertion-A Parameter 11 LSB	:		
	18	2	00 – 7F 00 – 7F	Insertion-A Parameter 12 MSB Insertion-A Parameter 12 LSB	:		
	1A	2	00 – 7F 00 – 7F	Insertion-A Parameter 13 MSB Insertion-A Parameter 13 LSB	:		
	1C	2	00 – 7F 00 – 7F	Insertion-A Parameter 14 MSB Insertion-A Parameter 14 LSB	:		
	1E	2	00 – 7F 00 – 7F	Insertion-A Parameter 15 MSB Insertion-A Parameter 15 LSB	:		
	20	2	00 – 7F 00 – 7F	Insertion-A Parameter 16 MSB Insertion-A Parameter 16 LSB	:		

TOTAL SIZE = 34 22 (HEX)

**ТАБЛИЦА ОБМЕНА ПАРАМЕТРОВ MIDI
(ВЫСОТА ТОНА УДАРНОГО ИНСТРУМЕНТА)**

Адрес	Размер	Диапазон значений данных (16-ричн.)	Наименование параметра	Описание	Примечания		
46	05	00	1	00-0C	Controller Set 1 Source	0: PB, 1: MW, 3: AT, 4: FC, 5: FS, 6: RB, 7: BC, 8: AS1, 9: AS2, 12: FC2	
			01	2 00-23	Controller Set 1 Destination MSB Controller Set 1 Destination LSB	0-35	
			03	1	00-7F	Controller Set 1 Depth	-64-+63
			04	1		reserved	
			05	1	00-0C	Controller Set 2 Source	0: PB, 1: MW, 3: AT, 4: FC, 5: FS, 6: RB, 7: BC, 8: AS1, 9: AS2, 12: FC2
			06	2	00 00-23	Controller Set 2 Destination MSB Controller Set 2 Destination LSB	0-35
			08	1	00-7F	Controller Set 2 Depth	-64-+63
			09	1		reserved	
			0A	1	00-0C	Controller Set 3 Source	0: PB, 1: MW, 3: AT, 4: FC, 5: FS, 6: RB, 7: BC, 8: AS1, 9: AS2, 12: FC2
			0B	2	00 00-23	Controller Set 3 Destination MSB Controller Set 3 Destination LSB	0-35
			0D	1	00-7F	Controller Set 3 Depth	-64-+63
			0E	1		reserved	
			0F	1	00-0C	Controller Set 4 Source	0: PB, 1: MW, 3: AT, 4: FC, 5: FS, 6: RB, 7: BC, 8: AS1, 9: AS2, 12: FC2
			10	2	00 00-23	Controller Set 4 Destination MSB Controller Set 4 Destination LSB	0-35
			12	1	00-7F	Controller Set 4 Depth	-64-+63
			13	1		reserved	
			14	1	00-0C	Controller Set 5 Source	0: PB, 1: MW, 3: AT, 4: FC, 5: FS, 6: RB, 7: BC, 8: AS1, 9: AS2, 12: FC2
			15	2	00 00-23	Controller Set 5 Destination MSB Controller Set 5 Destination LSB	0-35
			17	1	00-7F	Controller Set 5 Depth	-64-+63
			18	1		reserved	
			19	1	00-0C	Controller Set 6 Source	0: PB, 1: MW, 3: AT, 4: FC, 5: FS, 6: RB, 7: BC, 8: AS1, 9: AS2, 12: FC2
			1A	2	00 00-23	Controller Set 6 Destination MSB Controller Set 6 Destination LSB	0-35
			1C	1	00-7F	Controller Set 6 Depth	-64-+63
			1D	1		reserved	

TOTAL SIZE = 30 1E (HEX)

Адрес	Размер	Диапазон значений данных (16-ричн.)	Наименование параметра	Описание	Примечания		
47	ee	00	1	00-01	Element Assign	off, on	
			01	1	00-01	Wave Type	0: PresetWave, 1: Voice
			02	1		reserved	
			03	1	00-01	Receive Note Off	off, on
			04	1	00-01	Assign Mode	single, multi
			05	1	00-7F	Alternate Group	0: off, 1-127
			06	2	00-7F 00-7F	Wave Number MSB Wave Number LSB	1st bit6-0 → bit13-7 2nd bit6-0 → bit6-0
			08	3	00-7F 00-7F 00-7F	Voice Bank Number MSB Voice Bank Number LSB Voice Number	0-127 0-127 0-127
			0B	1	01-7F	Pan	L63-C-R63
			0C	1	00-7F	Random Pan Depth	0-127
			0D	1	00-7F	Alternate Pan Depth	L64-0-R63
			0E	1	00-7F	Reverb Send Level	0-127
			0F	1	00-7F	Chorus Send Level	0-127
			10	1		reserved	
			11	1	00-02	Insertion Effect Switch	thru, insA, insB
			12	1	00-4F	Output Select	0: L&R 8: asnL&R 9-15: asn1&2 - asn13&14 64-79: asnL, asnR, asn1 - asn14

TOTAL SIZE = 19 13 (HEX)

47	ee	20	1	00-7F	Element Level	0-127	*1
			21	1	00-7F	Level Velocity Sensitivity	-64-+63
			22	1		reserved	
			23	1	00-7F	AEG Attack Time	0-127
			24	1	00-7F	AEG Decay1 Time	0-127
			25	1	00-7F	AEG Decay2 Time	0-126, hold
			26	1		reserved	
			27	1		reserved	
			28	1		reserved	
			29	1	00-7F	AEG Decay1 Level	0-127
			2A	1		reserved	
			2B	1		reserved	

TOTAL SIZE = 12 0C (HEX)

48	ee	00	1	10-70	Coarse Tune	-48-+48	*1
			01	1	00-7F	Fine Tune	-64-+63
			02	1	00-7F	Pitch Velocity Sensitivity	-64-+63

TOTAL SIZE = 3 03 (HEX)

49	ee	00	1		reserved		
			01	2	00-01 00-7F	LPF Cutoff Frequency MSB LPF Cutoff Frequency LSB	0-255
			03	1	00-7F	LPF Cutoff Velocity Sensitivity	-64-+63
			04	1	00-7F	LPF Resonance	0-127
			05	1		reserved	
			06	2	00-01 00-7F	HPF Cutoff Frequency MSB HPF Cutoff Frequency LSB	0-255

TOTAL SIZE = 8 08 (HEX)

4A	ee	00	1	00-05	EQ Type	EQ L/H, PEQ, Boost6, Boost12, Boost18, thru	
			01	1	00-1F	EQ Resonance	0-31
			02	2	00-01 00-7F	EQ 1 Frequency MSB EQ 1 Frequency LSB	EQ L/H: 46-1.82, PEQ: 83-251
			04	1	20-60	EQ 1 Gain	-32-+32
			05	2	00-01 00-7F	EQ 2 Frequency MSB EQ 2 Frequency LSB	EQ L/H: 131-241
			07	1	20-60	EQ 2 Gain	-32-+32

TOTAL SIZE = 8 08 (HEX)

ee=номер элемента (00-03)

*1 Если тип Wave/Voice установлен на Voice, доступны только эти параметры.

ТАБЛИЦА ОБМЕНА ПАРАМЕТРОВ MIDI (ВСТАВЛЕННЫЙ ГОЛОС)

* Принимает Plug-in Voice Parameter Change CS6x (ID=0x64) и объединяет его с Parameter Request.

Адрес	Размер	Диапазон значений данных (16-рич.)	Наименование параметра	Описание	Примечания	
4C 70 00 1	20	7E	Voice Name 1	32 – 126 (ASCII)		
	01	1	Voice Name 2	32 – 126 (ASCII)		
	02	1	Voice Name 3	32 – 126 (ASCII)		
	03	1	Voice Name 4	32 – 126 (ASCII)		
	04	1	Voice Name 5	32 – 126 (ASCII)		
	05	1	Voice Name 6	32 – 126 (ASCII)		
	06	1	Voice Name 7	32 – 126 (ASCII)		
	07	1	Voice Name 8	32 – 126 (ASCII)		
	08	1	Voice Name 9	32 – 126 (ASCII)		
	09	1	Voice Name 10	32 – 126 (ASCII)		
	0A	1	reserved			
	0B	1	reserved			
	0C	1	00 – 10	Voice Category (Main)	0 – 16 (– Co)	Ap, Kb, Or, Gt, Ba, St, Br, Rp, Ld, Pd, Sc, Cp, Dr, Se, Me, Co
	0D	1	00 – 03	Voice Category (Sub)	0 – 3 (– Sub1 – Sub3)	Depends on Main Category.
	0E	1		reserved		
	0F	1		reserved		
	10	1		reserved		
	11	1		reserved		
	12	1		reserved		
4C 70 13	1			reserved		
	14	2	0000 – 20FF	ARP Type MSB ARP Type LSB	0 – 1786: Preset, 8192 – 8447: User	
	16	1	00 – 01	ARP Switch	off, on	
	17	1	00 – 02	ARP Hold	sync-off, off, on	
	18	1	00 – 06	ARP Unit Multiply	50%, 66%, 75%, 100%, 133%, 150%, 200%	
	19	1	00 – 7F	ARP Note Limit Low	C-2 – G8	
	1A	1	00 – 7F	ARP Note Limit High	C-2 – G8	
	1B	1	01 – 7F	ARP Velocity Limit Low	1 – 127	
	1C	1	01 – 7F	ARP Velocity Limit High	1 – 127	
	1D	1	00 – 04	ARP Key Mode	sort, thru, direct, sort+direct, thru+direct	
	1E	1	00 – 01	ARP Vel Mode	original, thru	
	1F	1	00 – 01	ARP Change Timing	realtime, measure	
	20	1	00 – 06	ARP Quantize Value	32nd, 16th Triplet, 16th, 8th Triplet, 8th, 4th Triplet, 4th	
	21	1	00 – 64	ARP Quantize Strength	0 – 100%	
	22	2	0000 – 00C8	ARP Velocity Rate MSB ARP Velocity Rate LSB	0 – 200%	
	24	2	0000 – 00C8	ARP Gate Time Rate MSB ARP Gate Time Rate LSB	0 – 200%	
	26	2	0000 – 3FFF	ARP Swing MSB ARP Swing LSB	-120 – 0 – +120	
	28	2	0001 – 012C	ARP Tempo MSB ARP Tempo LSB	1 – 300	
	2A	2	0000 – 3FFF	ARP SF1 Assign Type MSB ARP SF1 Assign Type LSB	0 – 1786: Preset, 8192 – 8447: User, 16383: No Type	
	2C	2	0000 – 3FFF	ARP SF2 Assign Type MSB ARP SF2 Assign Type LSB	0 – 1786: Preset, 8192 – 8447: User, 16383: No Type	
	2E	2	0000 – 3FFF	ARP SF3 Assign Type MSB ARP SF3 Assign Type LSB	0 – 1786: Preset, 8192 – 8447: User, 16383: No Type	
	30	2	0000 – 3FFF	ARP SF4 Assign Type MSB ARP SF4 Assign Type LSB	0 – 1786: Preset, 8192 – 8447: User, 16383: No Type	
	32	2	0000 – 3FFF	ARP SF5 Assign Type MSB ARP SF5 Assign Type LSB	0 – 1786: Preset, 8192 – 8447: User, 16383: No Type	
4C 70 34	1	00 – 06	CS Function Select	0=Pan&Send, 1= Tone, 2=Assign, 3=MeqOffset, 4=MasterEffect, 5=ARP FX, 6=Vol		
	35	1	01 – 7F	Pan	L63 – C – R63	
	36	1		reserved		
	37	1	00 – 7F	QED Decay Time	-64 – +63	
	38	1		reserved		
	39	1		reserved		
	3A	1		reserved		
	3B	1		reserved		
	3C	1		reserved		
	3D	1		reserved		
	3E	1	00 – 7F	AssignA	-64 – +63	
	3F	1	00 – 7F	AssignB	-64 – +63	
	40	1		reserved		
	41	1	00 – 7F	EQ Low Gain	-64 – +63	
	42	1	00 – 7F	EQ Low Mid Gain	-64 – +63	
	43	1	00 – 7F	EQ High Mid Gain	-64 – +63	
	44	1	00 – 7F	EQ High Gain	-64 – +63	

Адрес	Размер	Диапазон значений данных (16-рич.)	Наименование параметра	Описание	Примечания
	45	1	00 – 7F	Assign1	-64 – +63
	46	1	00 – 7F	Assign2	-64 – +63
	47	1	00 – 7F	Cutoff Frequency	-64 – +63
	48	1	00 – 7F	Resonance	-64 – +63
	49	1	00 – 7F	Attack Time	-64 – +63
	4A	1	00 – 7F	Release Time	-64 – +63
	4B	1		reserved	
	4C	1		reserved	
	4D	1		reserved	
	4E	1		reserved	
	4F	1		reserved	
	50	1		reserved	
	51	1		reserved	

TOTAL SIZE = 82 52 (HEX)

4C 00 00 1	00 – 7F	Volume	0 – 127		
	01		reserved		
	02	1	00 – 01	Same Note Number Key On Assign	single, multi
	03	1	00 – 01	QED Mono/Poly Mode	mono, poly
	04	1		reserved	
	05	1	28 – 58	QED Pitch Bend Range	-24 – +24 [semitones]
	06	1		reserved	
	07	1		reserved	
	08	1	00 – 01	QED Portamento Switch	off, on
	09	1	00 – 7F	QED Portamento Time	0 – 127
	0A	1	01 – 02	Insertion Connect Type	A → B, B → A
	0B	1	00 – 7F	Reverb Send	--dB – 0dB
	0C	1	00 – 7F	Chorus Send	--dB – 0dB

TOTAL SIZE = 13 0D (HEX)

4C 01 00 2	00 – 7F 00 – 7F	Reverb Type MSB Reverb Type LSB		Refer to "Effect Parameter List."	
	02	2	00 – 7F 00 – 7F	Reverb Parameter 1 MSB Reverb Parameter 1 LSB	:
	04	2	00 – 7F 00 – 7F	Reverb Parameter 2 MSB Reverb Parameter 2 LSB	:
	06	2	00 – 7F 00 – 7F	Reverb Parameter 3 MSB Reverb Parameter 3 LSB	:
	08	2	00 – 7F 00 – 7F	Reverb Parameter 4 MSB Reverb Parameter 4 LSB	:
	0A	2	00 – 7F 00 – 7F	Reverb Parameter 5 MSB Reverb Parameter 5 LSB	:
	0C	2	00 – 7F 00 – 7F	Reverb Parameter 6 MSB Reverb Parameter 6 LSB	:
	0E	2	00 – 7F 00 – 7F	Reverb Parameter 7 MSB Reverb Parameter 7 LSB	:
	10	2	00 – 7F 00 – 7F	Reverb Parameter 8 MSB Reverb Parameter 8 LSB	:
	12	2	00 – 7F 00 – 7F	Reverb Parameter 9 MSB Reverb Parameter 9 LSB	:
	14	2	00 – 7F 00 – 7F	Reverb Parameter 10 MSB Reverb Parameter 10 LSB	:
	16	2	00 – 7F 00 – 7F	Reverb Parameter 11 MSB Reverb Parameter 11 LSB	:
	18	2	00 – 7F 00 – 7F	Reverb Parameter 12 MSB Reverb Parameter 12 LSB	:
	1A	2	00 – 7F 00 – 7F	Reverb Parameter 13 MSB Reverb Parameter 13 LSB	:
	1C	2	00 – 7F 00 – 7F	Reverb Parameter 14 MSB Reverb Parameter 14 LSB	:
	1E	2	00 – 7F 00 – 7F	Reverb Parameter 15 MSB Reverb Parameter 15 LSB	:
	20	2	00 – 7F 00 – 7F	Reverb Parameter 16 MSB Reverb Parameter 16 LSB	:
	22	1	00 – 7F	Reverb Return	--dB – 0dB – +6dB (0 – 96 – 127)
	23	1	01 – 7F	Reverb Pan	L63 – C – R63

TOTAL SIZE = 36 24 (HEX)

Адрес	Размер	Диапазон значений данных (16-рич.)	Наименование параметра	Описание	Примечания
4C 02 00	2	00 – 7F 00 – 7F	Chorus Type MSB Chorus Type LSB	Refer to "Effect Parameter List."	
	02 2	00 – 7F 00 – 7F	Chorus Parameter 1 MSB Chorus Parameter 1 LSB	:	
	04 2	00 – 7F 00 – 7F	Chorus Parameter 2 MSB Chorus Parameter 2 LSB	:	
	06 2	00 – 7F 00 – 7F	Chorus Parameter 3 MSB Chorus Parameter 3 LSB	:	
	08 2	00 – 7F 00 – 7F	Chorus Parameter 4 MSB Chorus Parameter 4 LSB	:	
	0A 2	00 – 7F 00 – 7F	Chorus Parameter 5 MSB Chorus Parameter 5 LSB	:	
	0C 2	00 – 7F 00 – 7F	Chorus Parameter 6 MSB Chorus Parameter 6 LSB	:	
	0E 2	00 – 7F 00 – 7F	Chorus Parameter 7 MSB Chorus Parameter 7 LSB	:	
	10 2	00 – 7F 00 – 7F	Chorus Parameter 8 MSB Chorus Parameter 8 LSB	:	
	12 2	00 – 7F 00 – 7F	Chorus Parameter 9 MSB Chorus Parameter 9 LSB	:	
	14 2	00 – 7F 00 – 7F	Chorus Parameter 10 MSB Chorus Parameter 10 LSB	:	
	16 2	00 – 7F 00 – 7F	Chorus Parameter 11 MSB Chorus Parameter 11 LSB	:	
	18 2	00 – 7F 00 – 7F	Chorus Parameter 12 MSB Chorus Parameter 12 LSB	:	
	1A 2	00 – 7F 00 – 7F	Chorus Parameter 13 MSB Chorus Parameter 13 LSB	:	
	1C 2	00 – 7F 00 – 7F	Chorus Parameter 14 MSB Chorus Parameter 14 LSB	:	
	1E 2	00 – 7F 00 – 7F	Chorus Parameter 15 MSB Chorus Parameter 15 LSB	:	
	20 2	00 – 7F 00 – 7F	Chorus Parameter 16 MSB Chorus Parameter 16 LSB	:	
	22 1	00 – 7F	Chorus Return	--dB – 0dB – +6dB (0 – 96 – 127)	
	23 1	01 – 7F	Chorus Pan	L63 – C – R63	
	24 1	00 – 7F	Send Chorus To Reverb	--dB – 0dB (0 – 127)	

TOTAL SIZE = 37 25 (HEX)

Адрес	Размер	Диапазон значений данных (16-рич.)	Наименование параметра	Описание	Примечания
4C 03 00	2	00 – 7F 00 – 7F	Insertion-A Type MSB Insertion-A Type LSB	Refer to "Effect Parameter List."	
	02 2	00 – 7F 00 – 7F	Insertion-A Parameter 1 MSB Insertion-A Parameter 1 LSB	:	
	04 2	00 – 7F 00 – 7F	Insertion-A Parameter 2 MSB Insertion-A Parameter 2 LSB	:	
	06 2	00 – 7F 00 – 7F	Insertion-A Parameter 3 MSB Insertion-A Parameter 3 LSB	:	
	08 2	00 – 7F 00 – 7F	Insertion-A Parameter 4 MSB Insertion-A Parameter 4 LSB	:	
	0A 2	00 – 7F 00 – 7F	Insertion-A Parameter 5 MSB Insertion-A Parameter 5 LSB	:	
	0C 2	00 – 7F 00 – 7F	Insertion-A Parameter 6 MSB Insertion-A Parameter 6 LSB	:	
	0E 2	00 – 7F 00 – 7F	Insertion-A Parameter 7 MSB Insertion-A Parameter 7 LSB	:	
	10 2	00 – 7F 00 – 7F	Insertion-A Parameter 8 MSB Insertion-A Parameter 8 LSB	:	
	12 2	00 – 7F 00 – 7F	Insertion-A Parameter 9 MSB Insertion-A Parameter 9 LSB	:	
	14 2	00 – 7F 00 – 7F	Insertion-A Parameter 10 MSB Insertion-A Parameter 10 LSB	:	
	16 2	00 – 7F 00 – 7F	Insertion-A Parameter 11 MSB Insertion-A Parameter 11 LSB	:	
	18 2	00 – 7F 00 – 7F	Insertion-A Parameter 12 MSB Insertion-A Parameter 12 LSB	:	
	1A 2	00 – 7F 00 – 7F	Insertion-A Parameter 13 MSB Insertion-A Parameter 13 LSB	:	
	1C 2	00 – 7F 00 – 7F	Insertion-A Parameter 14 MSB Insertion-A Parameter 14 LSB	:	
	1E 2	00 – 7F 00 – 7F	Insertion-A Parameter 15 MSB Insertion-A Parameter 15 LSB	:	
	20 2	00 – 7F 00 – 7F	Insertion-A Parameter 16 MSB Insertion-A Parameter 16 LSB	:	

TOTAL SIZE = 34 22 (HEX)

Адрес	Размер	Диапазон значений данных (16-рич.)	Наименование параметра	Описание	Примечания
4C 04 00	2	00 – 7F	Insertion-B Type MSB Insertion-B Type LSB	Refer to "Effect Parameter List."	
	02 2	00 – 7F	Insertion-B Parameter 1 MSB Insertion-B Parameter 1 LSB	:	
	04 2	00 – 7F	Insertion-B Parameter 2 MSB Insertion-B Parameter 2 LSB	:	
	06 2	00 – 7F	Insertion-B Parameter 3 MSB Insertion-B Parameter 3 LSB	:	
	08 2	00 – 7F	Insertion-B Parameter 4 MSB Insertion-B Parameter 4 LSB	:	
	0A 2	00 – 7F	Insertion-B Parameter 5 MSB Insertion-B Parameter 5 LSB	:	
	0C 2	00 – 7F	Insertion-B Parameter 6 MSB Insertion-B Parameter 6 LSB	:	
	0E 2	00 – 7F	Insertion-B Parameter 7 MSB Insertion-B Parameter 7 LSB	:	
	10 2	00 – 7F	Insertion-B Parameter 8 MSB Insertion-B Parameter 8 LSB	:	
	12 2	00 – 7F	Insertion-B Parameter 9 MSB Insertion-B Parameter 9 LSB	:	
	14 2	00 – 7F	Insertion-B Parameter 10 MSB Insertion-B Parameter 10 LSB	:	
	16 2	00 – 7F 00 – 7F	Insertion-B Parameter 11 MSB Insertion-B Parameter 11 LSB	:	
	18 2	00 – 7F 00 – 7F	Insertion-B Parameter 12 MSB Insertion-B Parameter 12 LSB	:	
	1A 2	00 – 7F 00 – 7F	Insertion-B Parameter 13 MSB Insertion-B Parameter 13 LSB	:	
	1C 2	00 – 7F 00 – 7F	Insertion-B Parameter 14 MSB Insertion-B Parameter 14 LSB	:	
	1E 2	00 – 7F 00 – 7F	Insertion-B Parameter 15 MSB Insertion-B Parameter 15 LSB	:	
	20 2	00 – 7F 00 – 7F	Insertion-B Parameter 16 MSB Insertion-B Parameter 16 LSB	:	

TOTAL SIZE = 34 22 (HEX)

Адрес	Размер	Диапазон значений данных (16-рич.)	Наименование параметра	Описание	Примечания
4C 05 00	1	00 – 0C	Controller Set1 Source	0: PB, 1: MW, 3: AT, 4: FC, 5: FS, 6: RB, 7: BC, 8: AS1, 9: AS2, 12: FC2	
	01 2	00 00 – 23	Controller Set1 Destination MSB Controller Set1 Destination LSB	0 – 35	
	03 1	00 – 7F	Controller Set1 Depth	-64 – +63	
	04 1		reserved		
	05 1	00 – 0C	Controller Set2 Source	0: PB, 1: MW, 3: AT, 4: FC, 5: FS, 6: RB, 7: BC, 8: AS1, 9: AS2, 12: FC2	
	06 2	00 00 – 23	Controller Set2 Destination MSB Controller Set2 Destination LSB	0 – 35	
	08 1	00 – 7F	Controller Set2 Depth	-64 – +63	
	09 1		reserved		

TOTAL SIZE = 10 0A (HEX)

Адрес	Размер	Диапазон значений данных (16-рич.)	Наименование параметра	Описание	Примечания
4C 10 00	1	00 – 7F	Voice Bank MSB	0 – 127	
	01 1	00 – 7F	Voice Bank LSB	0 – 127	
	02 1	00 – 7F	Voice Number	0 – 127	
	03 1	28 – 58	Note Shift	-24 – 0 – +24 [semitones]	
	04 1	00 – 7F	Velocity Sense Depth	0 – 127	
	05 1	00 – 7F	Velocity Sense Offset	0 – 127	
	06 1	00 – 7F	(Vibrato Rate) LFO Speed	-64 – +63	
	07 1	00 – 7F	(Vibrato Depth) LFO Pitch Depth	-64 – +63	
	08 1	00 – 7F	(Vibrato Delay) LFO Delay	-64 – +63	
	09 1	00 – 7F	MW Filter Control	-64 – +63	
	0A 1		reserved	0	
	0B 1	00 – 7F	MW LFO Pitch Modulation Depth	0 – 127	
	0C 1	00 – 7F	MW LFO Filter Modulation Depth	0 – 127	
	0D 1	00 – 7F	MW LFO Amplitude Modulation Depth	0 – 127	
	0E 1	28 – 58	CAT Pitch Control	-24 – +24 [semitones]	
	0F 1	00 – 7F	CAT Filter Control	-64 – +63	
	10 1		reserved	-64 – +63	
	11 1	00 – 7F	CAT LFO Pitch Modulation Depth	0 – 127	
	12 1	00 – 7F	CAT LFO Filter Modulation Depth	0 – 127	
	13 1	00 – 7F	CAT LFO Amplitude Modulation Depth	0 – 127	
	14 1	00 – 5F	AC1 Controller Number	0 – 95	
	15 1	00 – 7F	AC1 Filter Control	-64 – +63	
	16 1		reserved	-64 – +63	
	17 1	00 – 7F	AC1 LFO Pitch Modulation Depth	0 – 127	
	18 1	00 – 7F	AC1 LFO Filter Modulation Depth	0 – 127	
	19 1	00 – 7F	AC1 LFO Amplitude Modulation Depth	0 – 127	
	1A 1	00 – 7F	Pitch EG Initial Level	-64 – +63	
	1B 1	00 – 7F	Pitch EG Attack Time	-64 – +63	
	1C 1	00 – 7F	Pitch EG Release Level	-64 – +63	

Адрес	Размер	Диапазон значений данных (16-ричн.)	Наименование параметра	Описание	Примечания
36 01 00	2	00 – 7F 00 – 7F	Reverb Type MSB Reverb Type LSB	Refer to "Effect Parameter List."	
	02 2	00 – 7F 00 – 7F	Reverb Parameter 1 MSB Reverb Parameter 1 LSB	:	
	04 2	00 – 7F 00 – 7F	Reverb Parameter 2 MSB Reverb Parameter 2 LSB	:	
	06 2	00 – 7F 00 – 7F	Reverb Parameter 3 MSB Reverb Parameter 3 LSB	:	
	08 2	00 – 7F 00 – 7F	Reverb Parameter 4 MSB Reverb Parameter 4 LSB	:	
	0A 2	00 – 7F 00 – 7F	Reverb Parameter 5 MSB Reverb Parameter 5 LSB	:	
	0C 2	00 – 7F 00 – 7F	Reverb Parameter 6 MSB Reverb Parameter 6 LSB	:	
	0E 2	00 – 7F 00 – 7F	Reverb Parameter 7 MSB Reverb Parameter 7 LSB	:	
	10 2	00 – 7F 00 – 7F	Reverb Parameter 8 MSB Reverb Parameter 8 LSB	:	
	12 2	00 – 7F 00 – 7F	Reverb Parameter 9 MSB Reverb Parameter 9 LSB	:	
	14 2	00 – 7F 00 – 7F	Reverb Parameter 10 MSB Reverb Parameter 10 LSB	:	
	16 2	00 – 7F 00 – 7F	Reverb Parameter 11 MSB Reverb Parameter 11 LSB	:	
	18 2	00 – 7F 00 – 7F	Reverb Parameter 12 MSB Reverb Parameter 12 LSB	:	
	1A 2	00 – 7F 00 – 7F	Reverb Parameter 13 MSB Reverb Parameter 13 LSB	:	
	1C 2	00 – 7F 00 – 7F	Reverb Parameter 14 MSB Reverb Parameter 14 LSB	:	
	1E 2	00 – 7F 00 – 7F	Reverb Parameter 15 MSB Reverb Parameter 15 LSB	:	
	20 2	00 – 7F 00 – 7F	Reverb Parameter 16 MSB Reverb Parameter 16 LSB	:	
	22 1	00 – 7F	Reverb Return	--dB – 0dB – +6dB (0 – 96 – 127)	
	23 1	01 – 7F	Reverb Pan	L63 – C – R63	

TOTAL SIZE = 36 24 (HEX)

Адрес	Размер	Диапазон значений данных (16-ричн.)	Наименование параметра	Описание	Примечания
36 02 00	2	00 – 7F 00 – 7F	Chorus Type MSB Chorus Type LSB	Refer to "Effect Parameter List."	
	02 2	00 – 7F 00 – 7F	Chorus Parameter 1 MSB Chorus Parameter 1 LSB	:	
	04 2	00 – 7F 00 – 7F	Chorus Parameter 2 MSB Chorus Parameter 2 LSB	:	
	06 2	00 – 7F 00 – 7F	Chorus Parameter 3 MSB Chorus Parameter 3 LSB	:	
	08 2	00 – 7F 00 – 7F	Chorus Parameter 4 MSB Chorus Parameter 4 LSB	:	
	0A 2	00 – 7F 00 – 7F	Chorus Parameter 5 MSB Chorus Parameter 5 LSB	:	
	0C 2	00 – 7F 00 – 7F	Chorus Parameter 6 MSB Chorus Parameter 6 LSB	:	
	0E 2	00 – 7F 00 – 7F	Chorus Parameter 7 MSB Chorus Parameter 7 LSB	:	
	10 2	00 – 7F 00 – 7F	Chorus Parameter 8 MSB Chorus Parameter 8 LSB	:	
	12 2	00 – 7F 00 – 7F	Chorus Parameter 9 MSB Chorus Parameter 9 LSB	:	
	14 2	00 – 7F 00 – 7F	Chorus Parameter 10 MSB Chorus Parameter 10 LSB	:	
	16 2	00 – 7F 00 – 7F	Chorus Parameter 11 MSB Chorus Parameter 11 LSB	:	
	18 2	00 – 7F 00 – 7F	Chorus Parameter 12 MSB Chorus Parameter 12 LSB	:	
	1A 2	00 – 7F 00 – 7F	Chorus Parameter 13 MSB Chorus Parameter 13 LSB	:	
	1C 2	00 – 7F 00 – 7F	Chorus Parameter 14 MSB Chorus Parameter 14 LSB	:	
	1E 2	00 – 7F 00 – 7F	Chorus Parameter 15 MSB Chorus Parameter 15 LSB	:	
	20 2	00 – 7F 00 – 7F	Chorus Parameter 16 MSB Chorus Parameter 16 LSB	:	
	22 1	00 – 7F	Chorus Return	--dB – 0dB --+6dB (0 – 96 – 127)	
	23 1	01 – 7F	Chorus Pan	L63 – C – R63	
	24 1	00 – 7F	Send Chorus To Reverb	--dB – 0dB (0 – 127)	

TOTAL SIZE = 37 25 (HEX)

Адрес	Размер	Диапазон значений данных (16-ричн.)	Наименование параметра	Описание	Примечания
36 03 00	2	00 – 7F 00 – 7F	Insertion-A Type MSB Insertion-A Type LSB	Refer to "Effect Parameter List."	for Analog Part
	02 2	00 – 7F 00 – 7F	Insertion-A Parameter 1 MSB Insertion-A Parameter 1 LSB	:	:
	04 2	00 – 7F 00 – 7F	Insertion-A Parameter 2 MSB Insertion-A Parameter 2 LSB	:	:
	06 2	00 – 7F 00 – 7F	Insertion-A Parameter 3 MSB Insertion-A Parameter 3 LSB	:	:
	08 2	00 – 7F 00 – 7F	Insertion-A Parameter 4 MSB Insertion-A Parameter 4 LSB	:	:
	0A 2	00 – 7F 00 – 7F	Insertion-A Parameter 5 MSB Insertion-A Parameter 5 LSB	:	:
	0C 2	00 – 7F 00 – 7F	Insertion-A Parameter 6 MSB Insertion-A Parameter 6 LSB	:	:
	0E 2	00 – 7F 00 – 7F	Insertion-A Parameter 7 MSB Insertion-A Parameter 7 LSB	:	:
	10 2	00 – 7F 00 – 7F	Insertion-A Parameter 8 MSB Insertion-A Parameter 8 LSB	:	:
	12 2	00 – 7F 00 – 7F	Insertion-A Parameter 9 MSB Insertion-A Parameter 9 LSB	:	:
	14 2	00 – 7F 00 – 7F	Insertion-A Parameter 10 MSB Insertion-A Parameter 10 LSB	:	:
	16 2	00 – 7F 00 – 7F	Insertion-A Parameter 11 MSB Insertion-A Parameter 11 LSB	:	:
	18 2	00 – 7F 00 – 7F	Insertion-A Parameter 12 MSB Insertion-A Parameter 12 LSB	:	:
	1A 2	00 – 7F 00 – 7F	Insertion-A Parameter 13 MSB Insertion-A Parameter 13 LSB	:	:
	1C 2	00 – 7F 00 – 7F	Insertion-A Parameter 14 MSB Insertion-A Parameter 14 LSB	:	:
	1E 2	00 – 7F 00 – 7F	Insertion-A Parameter 15 MSB Insertion-A Parameter 15 LSB	:	:
	20 2	00 – 7F 00 – 7F	Insertion-A Parameter 16 MSB Insertion-A Parameter 16 LSB	:	:

TOTAL SIZE = 34 22 (HEX)

Адрес	Размер	Диапазон значений данных (16-ричн.)	Наименование параметра	Описание	Примечания
36 03 00	2	00 – 7F 00 – 7F	Insertion-B Type MSB Insertion-B Type LSB	Refer to "Effect Parameter List."	for Analog Part
	02 2	00 – 7F 00 – 7F	Insertion-B Parameter 1 MSB Insertion-B Parameter 1 LSB	:	:
	04 2	00 – 7F 00 – 7F	Insertion-B Parameter 2 MSB Insertion-B Parameter 2 LSB	:	:
	06 2	00 – 7F 00 – 7F	Insertion-B Parameter 3 MSB Insertion-B Parameter 3 LSB	:	:
	08 2	00 – 7F 00 – 7F	Insertion-B Parameter 4 MSB Insertion-B Parameter 4 LSB	:	:
	0A 2	00 – 7F 00 – 7F	Insertion-B Parameter 5 MSB Insertion-B Parameter 5 LSB	:	:
	0C 2	00 – 7F 00 – 7F	Insertion-B Parameter 6 MSB Insertion-B Parameter 6 LSB	:	:
	0E 2	00 – 7F 00 – 7F	Insertion-B Parameter 7 MSB Insertion-B Parameter 7 LSB	:	:
	10 2	00 – 7F 00 – 7F	Insertion-B Parameter 8 MSB Insertion-B Parameter 8 LSB	:	:
	12 2	00 – 7F 00 – 7F	Insertion-B Parameter 9 MSB Insertion-B Parameter 9 LSB	:	:
	14 2	00 – 7F 00 – 7F	Insertion-B Parameter 10 MSB Insertion-B Parameter 10 LSB	:	:
	16 2	00 – 7F 00 – 7F	Insertion-B Parameter 11 MSB Insertion-B Parameter 11 LSB	:	:
	18 2	00 – 7F 00 – 7F	Insertion-B Parameter 12 MSB Insertion-B Parameter 12 LSB	:	:
	1A 2	00 – 7F 00 – 7F	Insertion-B Parameter 13 MSB Insertion-B Parameter 13 LSB	:	:
	1C 2	00 – 7F 00 – 7F	Insertion-B Parameter 14 MSB Insertion-B Parameter 14 LSB	:	:
	1E 2	00 – 7F 00 – 7F	Insertion-B Parameter 15 MSB Insertion-B Parameter 15 LSB	:	:
	20 2	00 – 7F 00 – 7F	Insertion-B Parameter 16 MSB Insertion-B Parameter 16 LSB	:	:

TOTAL SIZE = 34 22 (HEX)

Адрес	Размер	Диапазон значений данных (16-ричн.)	Наименование параметра	Описание	Примечания		
36	10	00	1	34 – 4C	EQ Gain 1	-12 – +12 [dB]	
			01	04 – 2B	EQ Frequency 1	32 – 2000 [Hz]	
			02	01 – 7B	EQ Q 1	0.1 – 12.0	
			03	00 – 01	EQ Shape 1	shelv, peak	
			04	34 – 4C	EQ Gain 2	-12 – +12 [dB]	
			05	0E – 3E	EQ Frequency 2	100 – 10.0 [kHz]	
			06	01 – 7B	EQ Q 2	0.1 – 12.0	
			1	01	EQ Shape 2	PEAKING	reserved
			08	34 – 4C	EQ Gain 3	-12 – +12 [dB]	
			09	0E – 3E	EQ Frequency 3	100 – 10.0 [kHz]	
			0A	01 – 7B	EQ Q 3	0.1 – 12.0	
			1		reserved		
			0C	34 – 4C	EQ Gain 4	-12 – +12 [dB]	
			0D	0E – 3E	EQ Frequency 4	100 – 10.0 [kHz]	
			0E	01 – 7B	EQ Q 4	0.1 – 12.0	
			1		reserved		
			10	34 – 4C	EQ Gain5	-12 – +12 [dB]	
			11	1C – 3A	EQ Frequency 5	0.5 – 16.0 [kHz]	
			12	01 – 7B	EQ Q 5	0.1 – 12.0	
			13	00 – 01	EQ Shape 5	shelv, peak	

TOTAL SIZE = 20 14 (HEX)

36	11	00	2	00 – 7F 00 – 7F	Master Effect Type MSB Master Effect Type LSB	Refer to "Effect Parameter List."	
			02	2	00 – 7F 00 – 7F	Master Effect Parameter 1 MSB Master Effect Parameter 1 LSB	:
			04	2	00 – 7F 00 – 7F	Master Effect Parameter 2 MSB Master Effect Parameter 2 LSB	:
			06	2	00 – 7F 00 – 7F	Master Effect Parameter 3 MSB Master Effect Parameter 3 LSB	:
			08	2	00 – 7F 00 – 7F	Master Effect Parameter 4 MSB Master Effect Parameter 4 LSB	:
			0A	2	00 – 7F 00 – 7F	Master Effect Parameter 5 MSB Master Effect Parameter 5 LSB	:
			0C	2	00 – 7F 00 – 7F	Master Effect Parameter 6 MSB Master Effect Parameter 6 LSB	:
			0E	2	00 – 7F 00 – 7F	Master Effect Parameter 7 MSB Master Effect Parameter 7 LSB	:
			10	2	00 – 7F 00 – 7F	Master Effect Parameter 8 MSB Master Effect Parameter 8 LSB	:
			12	2	00 – 7F 00 – 7F	Master Effect Parameter 9 MSB Master Effect Parameter 9 LSB	:
			14	2	00 – 7F 00 – 7F	Master Effect Parameter 10 MSB Master Effect Parameter 10 LSB	:
			16	2	00 – 7F 00 – 7F	Master Effect Parameter 11 MSB Master Effect Parameter 11 LSB	:
			18	2	00 – 7F 00 – 7F	Master Effect Parameter 12 MSB Master Effect Parameter 12 LSB	:
			1A	2	00 – 7F 00 – 7F	Master Effect Parameter 13 MSB Master Effect Parameter 13 LSB	:
			1C	2	00 – 7F 00 – 7F	Master Effect Parameter 14 MSB Master Effect Parameter 14 LSB	:
			1E	2	00 – 7F 00 – 7F	Master Effect Parameter 15 MSB Master Effect Parameter 15 LSB	:
			20	2	00 – 7F 00 – 7F	Master Effect Parameter 16 MSB Master Effect Parameter 16 LSB	:
			22	1	00 – 01	Master Effect ON/OFF	0: OFF, 1: ON

TOTAL SIZE = 35 23 (HEX)

36	20	00	16	00 – 7F	Plug-in Board Native System Parameter	(for InSEF Plug-in)	
			10	48	00 – 7F	Plug-in Board Native Parameter	(for InSEF Plug-in)
			40	3	00 – 7F	Plug-in Board Type MSB Plug-in Board Type LSB Plug-in Board Version Number	
			43	1	00 – 7F	reserved	

TOTAL SIZE = 68 44 (HEX)

ТАБЛИЦА ОБМЕНА ПАРАМЕТРОВ MIDI (ПАРТИЯ MULTI)

Адрес	Размер	Диапазон значений данных (16-ричн.)	Наименование параметра	Описание	Примечания			
37	pp	00	1	00 – 7F	Bank Select MSB	0 – 127		
			01	1	00 – 7F	Bank Select LSB	0 – 127	
			02	1	00 – 7F	Program Number	1 – 128	
			03	1	00 – 0F, 7F	Receive Channel	1 – 16, off (7F)	
			04	1	00 – 01	Part Mode	mono, poly	
			05	1	01 – 7F	Velocity Limit Low	1 – 127	
			06	1	01 – 7F	Velocity Limit High	1 – 127	
			07	1	00 – 7F	Note Limit Low	C-2 – G8	
			08	1	00 – 7F	Note Limit High	C-2 – G8	
			09	1	10 – 5B	Pitch Bend Range Upper	-48 – +24 (PB Part: -24 – +24)	
			0A	1	10 – 5B	Pitch Bend Range Lower	-48 – +24	
			0B	1	00 – 7F	Velocity Sense Depth	0 – 127	
			0C	1	00 – 7F	Velocity Sense Offset	0 – 127	
			0D	1	00 – 7F	Volume	0 – 127	
			0E	1	01 – 7F	Pan	L63 – C – R63	
			0F	1		reserved		
			10	2	00 – 0F 00 – 0F	Detune MSB Detune LSB	-12.8 – +12.7 [Hz] 1st bit3-0 → bit7-4 2nd bit3-0 → bit3-0	
			12	1	00 – 7F	Reverb Send	0 – 127	
			13	1	00 – 7F	Chorus Send	0 – 127	
			14	1	00 – 7F	reserved		
			15	1	00 – 7F	Dry Level	0 – 127	
			16	1	2B – 5B	Note Shift	-24 – +24 [semitones]	
			17	1	00 – 7F	Filter Cutoff Frequency	-64 – +63	
			18	1	00 – 7F	Filter Resonance/Width	-64 – +63	
			19	1		reserved		
			1A	1	00 – 01	Portamento Switch	off, on	
			1B	1	00 – 7F	Portamento Time	0 – 127	
			1C	1	00 – 01	Portamento Mode	fingered, fulltime	
			1D	1		reserved		
			1E	1	00 – 7F	Output Select	0: L&R, 8: asnL&R, 9 – 15: asn1&2 – asn13&14 64 – 79: asnL, asnR, asn1 – asn14, 127: drum (or L&R)	Fixed to L&R for parts 17–32.
37	pp	1F	1	00 – 7F	reserved Arpeggio Sw Receive Control Change Receive Bank Select Receive Program Change Receive AT Receive PB	bit0: reserved bit1: Arpeggio Sw off, on bit2: off, on Control Change bit3: off, on Bank Select bit4: off, on Program Change bit5: off, on AT bit6: off, on PB		
			20	1	00 – 7F	Receive Volume/Expression Receive Pan Receive Sustain/Sostenuto Receive MW	bit0: off, on Volume/Expression bit1: off, on Pan bit2: reserved bit3: off, on Sustain/Sostenuto bit4: reserved bit5: off, on MW bit6: reserved	
			21	1	00 – 7F	Receive FC2 Receive FC Receive FC1 Receive BC Receive Assign1 Receive Assign2 Receive RB	bit0: off, on FC2 bit1: off, on FS bit2: off, on FC1 bit3: off, on BC bit4: off, on AS1 bit5: off, on AS2 bit6: off, on RB	
37	pp	22	1	00 – 7F	AEG Decay2 Level (EG Sustain Level)	-64 – +63		
			23	1	00 – 7F	AEG Attack Time (EG Attack Time)	-64 – +63	
			24	1	00 – 01	Voice Pan on/off	off, on	
			25	1	00 – 7F	AEG Decay2 Time (EG Decay Time)	-64 – +63	
			26	1	00 – 7F	AEG Release Time (EG Release Time)	-64 – +63	
			27	1	00 – 7F	FEG Decay2 Level (EG Sustain Level)	-64 – +63	
			28	1	00 – 7F	FEG Attack Time (EG Attack Time)	-64 – +63	
			29	1		reserved		
			2A	1	00 – 7F	FEG Decay2 Time (EG Decay Time)	-64 – +63	
			2B	1	00 – 7F	FEG Release Time (EG Release Time)	-64 – +63	
			2C	1	00 – 7F	FEG Depth	-64 – +63	
37	pp	2D	1		reserved			
			2E	2	002E – 00B6	Low Frequency MSB Low Frequency LSB	50.1 – 2.00k	
			30	1	20 – 60	Low Gain	-32 – +32	
			31	1		reserved		
			32	2	0053 – 00F1	Mid Frequency MSB Mid Frequency LSB	139.7 – 10.1k	
			34	1	20 – 60	Mid Gain	-32 – +32	
			35	1	00 – 1F	Mid Resonance	0 – 31	
			36	2	0083 – 00FF	High Frequency MSB High Frequency LSB	503.8 – 14k	
			38	1	20 – 60	High Gain	-32 – +32	
			39	1		reserved		

TOTAL SIZE = 58 3A (HEX)

pp= номер партии

- 00 – 0F Part 1 – 16 (Normal, Drum)
- 60 Part Plug-in 1 (User, Preset, Direct)
- 61 Part Plug-in 2 (User, Preset, Direct)
- 62 Part Plug-in 3 (User, Preset, Direct)
- 10 – 1F Multi Plug-in Board Part (Not included in the Multi setup)

Адрес			Размер	Диапазон значений данных (ГЕ-ричи.)	Наименование параметра	Описание	Примечания
38	pp	00	1	00 – 03	A/D Input Mode	L mono, R mono, L+R mono, stereo	
		01	1	00 – 7F	A/D Part Volume	0 – 127	
		02	1	01 – 7F	A/D Part Pan	L63 – C – R63	
		03	1	00 – 7F	A/D Part Reverb Send	0 – 127	
		04	1	00 – 7F	A/D Part Chorus Send	0 – 127	
		05	1	00 – 7F	reserved		
		06	1	00 – 7F	A/D Part Dry Level	0 – 127	
		07	1	00 – 4F	A/D Part Output Select	0: L&R, 8: asnL&R 9 – 15: asn1&2 – asn13&14 64 – 79: asnL, asnR, asn1 – asn14	

TOTAL SIZE = 8 08 (HEX)

pp= номер партии

40 – 44 AD Part

Function...	Transmitted	Recognized	Remarks
Basic Channel Default Changed	1 - 16 X	X X	Memorized
Mode Default Messages Altered	X X *****	X X X	
Note Number : True voice	0 - 127 *****	X X	
Velocity Note ON Note OFF	O 9nH, v=1-127 X 9nH, v=0	X X	
After Touch Key's Ch's	O O	X X	
Pitch Bend	O	X	
Control Change 0-121	O	X	
Prog Change : True #	O 0 - 127 *****	X	
System Exclusive	O	X	
Common : Song Pos. : Song Sel. : Tune	O *1 X X	X X X	
System : Clock Real Time : Commands	O *2 O *1	O *3 O *1	
Aux : All Sound Off : Reset All Cntrls : Local ON/OFF Mes- : All Notes OFF sages: Active Sense : Reset	O O O O X X	X X X X X X	
Notes: *1 if Seq Control in/out is enabled. *2 if MIDI clock out is on. *3 if MIDI Sync is MIDI.			

Mode 1 : OMNI ON , POLY
 Mode 3 : OMNI OFF, POLY

Mode 2 : OMNI ON , MONO
 Mode 4 : OMNI OFF, MONO

O : Yes
 X : No

Function...	Transmitted	Recognized	Remarks	
Basic Channel	Default Changed	1 - 16 1 - 16	1 - 16 1 - 16	Memorized
Mode	Default Messages Altered	3 X *****	1 1 - 4 (m=1) *2 X	Memorized
Note Number : True voice		0 - 127 *****	0 - 127 0 - 127	Transpose
Velocity	Note ON Note OFF	O 9nH, v=1-127 X 9nH, v=0	O 9nH, v=1-127 X	
After Touch	Key's Ch's	X O	X O *1	
Pitch Bend		O	O *1	
Control Change	0,32 1,7,10,11 6,38 64 65 66 71-75 91,93 96-97 100-101 1-31,33-95	O O X O X X O O X X O	O O O O O O O O O O O O	*1 *1 *1 *1 *1 *1 *1 *1 *1 *1 *1 *1 *1 Data Entry Sustain Sw Portamento Sw Sostenuto Sound Controller Effect Depth RPN Inc,Dec RPN LSB,MSB Assignable Cntrl
Prog Change : True #		O 0 - 127 *****	O 0 - 127 0 - 127	
System Exclusive		O	O	
Common	: Song Pos. : Song Sel. : Tune	X X X	X X X	
System Real Time	: Clock : Commands	X X	O X	
Aux Messages	: All Sound Off : Reset All Cntrls : Local ON/OFF : All Notes OFF : Active Sense : Reset	X X X X O X	O (120,126,127) O (121) X O (123-125) O X	
Notes:				
*1 if receive switch is on. *2 m is always treated as "1" regardless of its value.				

Mode 1 : OMNI ON , POLY Mode 2 : OMNI ON , MONO O : Yes
 Mode 3 : OMNI OFF, POLY Mode 4 : OMNI OFF, MONO X : No



Yamaha Web Site (English only)
<http://www.yamahasyth.com/>

Yamaha Manual Library
<http://www.yamaha.co.jp/manual/>

U.R.G., Pro Audio & Digital Musical Instrument Division, Yamaha Corporation
© 2005 Yamaha Corporation

WE71970 505MWCP0.0-01A0
Printed in Japan